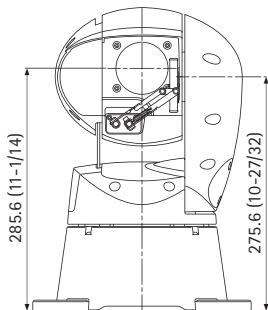


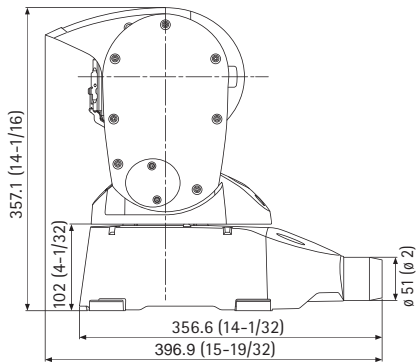
## Dimensions

(Front)



Unit: mm (inch)

(Side)



(Bottom)

