



ZEISS Compact Prime and Zoom lenses

Flexibility and performance in a winning combination.



We make it visible.



// FLEXIBILITY
MADE BY ZEISS

The moment you shout “action!” and feel your story come together.
This is the moment we work for.

Enjoy absolute flexibility and truly stellar performance. With ZEISS Compact Prime and Zoom lenses. When you are on a shoot, performance is paramount – regardless of whether it is from your actors, your crew, or indeed your lenses. But oftentimes, flexibility can be just as important as outright performance. That is why we developed the Compact Prime CP.2 lenses and the Compact Zoom CZ.2 lenses – a versatile set of lenses with interchangeable mounts to offer you the greatest possible flexibility in a wide range of focal lengths coupled with truly breathtaking performance. Additionally, their exceptional reliability even in the most challenging environmental conditions allows you to focus on making the most of the moment when talent and technology come together for that perfect scene.



Whether you are shooting a commercial where exquisite color rendition and high contrast is important, or a tense, dramatic sequence in low light situations for a feature film, ZEISS Compact Prime and Zoom lenses offer you the performance you need to get the scene right. With a wide range of focal lengths, full-frame coverage, fantastic image quality, great flare suppression and precise focussing through the large rotation angle, ZEISS Compact Prime and Zoom lenses give you a flexible set of tools to make your film shine.



High-performance cine lenses that make the most of the moment

The ZEISS Compact Prime and Zoom lenses deliver great flexibility thanks to interchangeable mounts, allowing them to be used with a wide range of cameras from traditional cine to SLR systems or mirrorless systems. There is a comprehensive choice of lenses, which all cover the full frame format– from wide-angles to teles (15 to 200 mm, including a 50 mm Macro lens, 35 to 85 mm Super Speed and Zoom lenses). Affordable, flexible and offering the highest quality, the new Compact Prime and Zoom lenses are an invaluable addition to any film set.

“Compact lenses give me the flexibility and consistent look I need regardless of what format I am shooting. Whether I’m shooting full frame DSLR or Super 35mm, ZEISS Compact lenses deliver the consistency and resolving power I want.”

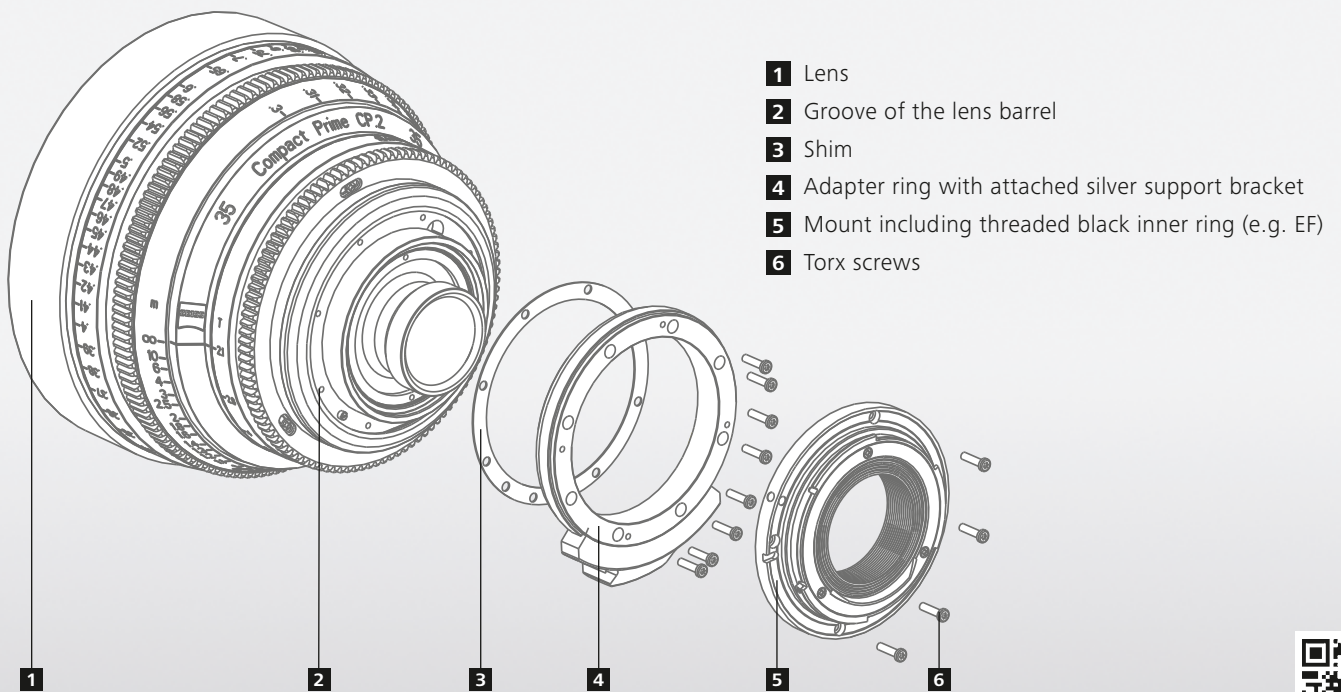
Den Lennie, Cinematographer, United Kingdom



“ZEISS Compact lenses are a future-proof investment I can highly recommend to every cinematographer. No matter which brand of camera I’m working with, because of the interchangeable mount I can always use the same set of lenses without having to buy new lenses for my various camera systems.”

Sebastian Wiegärnter, Cinematographer, Germany





- 1** Lens
- 2** Groove of the lens barrel
- 3** Shim
- 4** Adapter ring with attached silver support bracket
- 5** Mount including threaded black inner ring (e.g. EF)
- 6** Torx screws



watch Mount Change video at: <http://www.youtube.com/watch?v=NJTewQ-V3rM&feature=youtu.be>

Unparalleled versatility

The ZEISS Compact Prime and Zoom lenses are the world's first cine lenses designed for all types of cameras (SLR to high-end digital movie cameras). The interchangeable mount guarantees high flexibility for present and future use in any situation and for a wide range of camera platforms.

- Allows a mix of HD/SLR systems with professional cine cameras, for maximum flexibility on set
- No need for adapter solutions anymore
- Five different mounts available (PL, EF, F, Micro 4/3 and E mount)



EF mount



Micro 4/3 mount



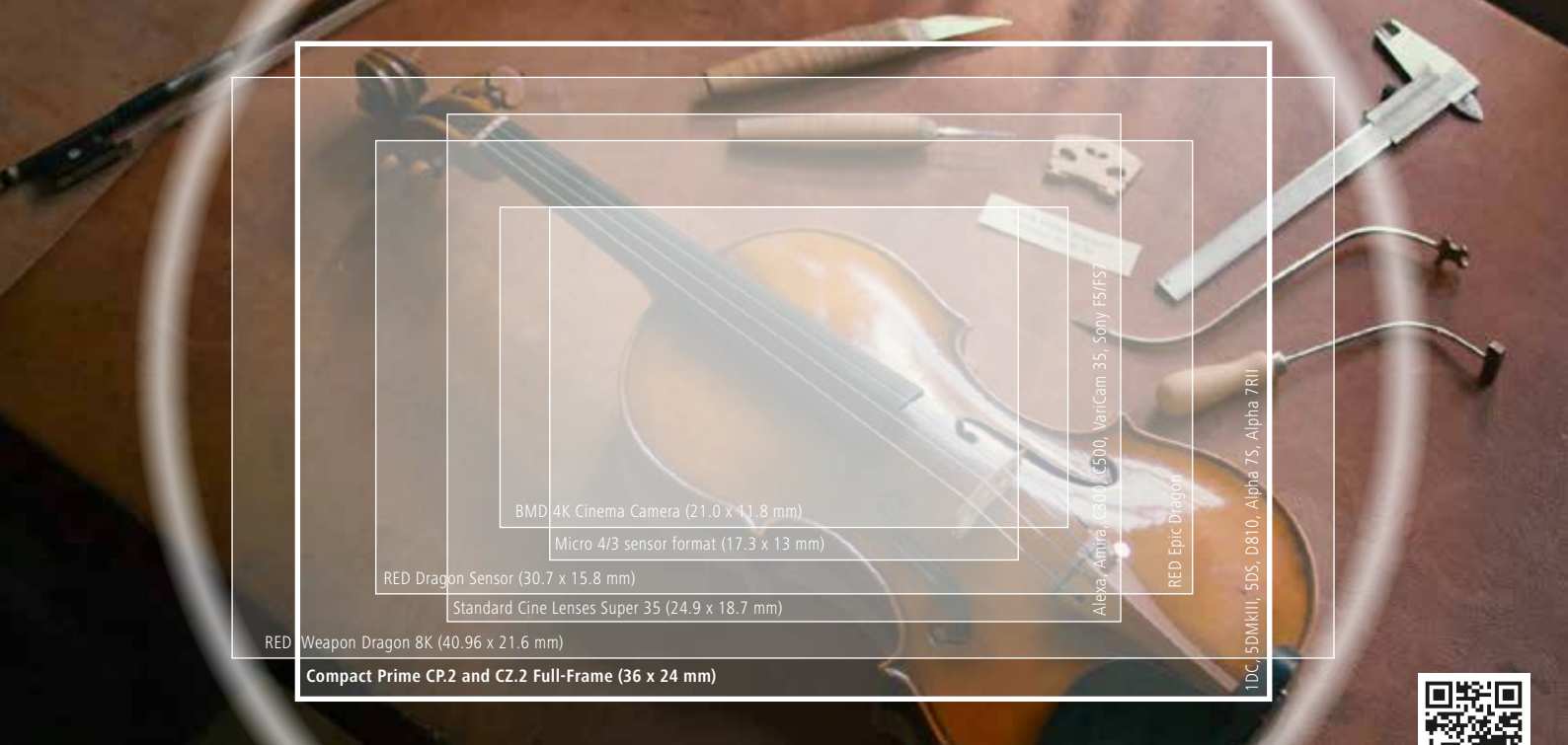
PL mount



F mount



E mount



watch video at: <http://vimeo.com/28343785>



Future-proof performance with full-frame coverage

ZEISS Compact Prime and Zoom lenses feature exquisite optics in a robust, durable package – two characteristics that will surely remain desirable for decades to come. And thanks to their interchangeable mounts, Compact Prime and Zoom lenses offer the possibility to upgrade to any number of existing or future cine and still cameras while still using the same set of lenses. Additionally, they all cover a full-frame image format without vignetting.



- Full-frame coverage (36 x 24 mm) for focal lengths of 15 to 200 mm – your future-proof investment for all sensor sizes
- Common aperture of T2.1 for the standard lens set (CZ.2: T2.9; Super Speed: T1.5)
- Sweet spot effect with Super 35 sensors
- All Compact Zooms CZ.2 covering RED Weapon Dragon





watch video at: <https://vimeo.com/39190023>



Unrivalled image quality – ready for 6k!

ZEISS Compact Prime and Zoom lenses are precision engineered within the tightest possible tolerances. This guarantees you excellent image quality with low distortion, high resolution and excellent color rendition for sharp, punchy pictures.



- High resolution and contrast; ready for 6k
- Excellent color correction
- Great flare suppression through T* anti-reflex coating and internal light traps
- Low distortion
- Round out-of-focus highlights
- Color matched





ZEISS Compact Zoom CZ.2 lenses

Get closer to the action.

The new Compact Zoom CZ.2 lenses are as versatile as they are powerful and incorporate features never seen before on lenses of this kind. They are handy, compact, ready for 6k and even offer full-frame coverage. With their zoom lengths of 15–30mm, 28–80mm and 70–200mm, they give you a wide range of creative options. Their compact size and light weight make them the ideal companions for even the most ambitious applications, including handheld, Steadicam and projects in confined spaces. And thanks to their robust, cine-style housing (which also allows for the use of a follow-focus system), their full-frame coverage and interchangeable mounts, they will be reliable partners for years to come.





watch video at: <http://vimeo.com/82091475>

The completely new design and innovative drive technology of the Compact Zoom CZ.2 series eliminate the focus shift and enable a totally reliable image outcome. The lenses are also ideal for top-quality movies, feature film productions and documentaries.

- Interchangeable mount
- Full-frame coverage (36 x 24 mm)
- No visible focus shift while change of focal length
- Robust cine-style housing
- No visible breathing
- Calibrated focus scales
- 6K capability
- nearly 300 degree focus rotation
- round iris for organic look
- No visible ramping





ZEISS Compact Prime CP.2 lenses

A winning ensemble.

One of the most important aspects of a successful production is the competence and diversity of your team. And surely, this should apply to your set of lenses as well. The full range of Compact Prime CP.2 lenses gives you not only the flexibility you need but also the competence and high performance you expect from your equipment. With its long history in both photo and cine lenses, ZEISS is dedicated to supporting filmmakers and allowing you to benefit from the highest possible image quality in any situation.

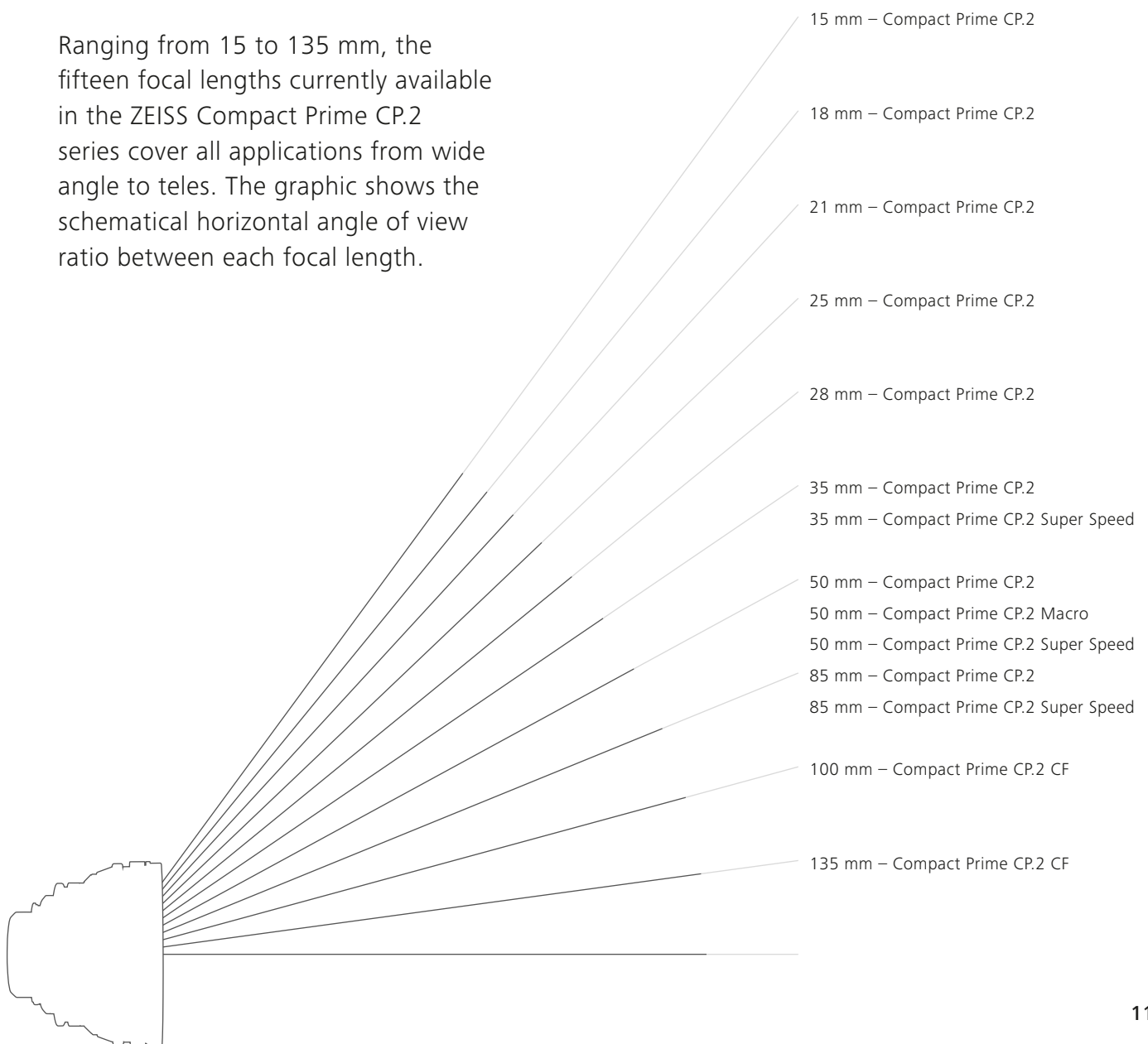
- Interchangeable mount
- Full-frame coverage (CP.2 18 mm APS-H maximum coverage)
- Longer focus rotation and a manual focus and iris
- Robust cine-style housing with the ability to utilize follow-focus
- Standard focus and iris gear positions
- Consistent front diameter (except 50 Macro)
- Calibrated focus scales
- Manual, continuous aperture control



watch video at: <https://vimeo.com/47190382>

Horizontal angle of view, regardless the format

Ranging from 15 to 135 mm, the fifteen focal lengths currently available in the ZEISS Compact Prime CP.2 series cover all applications from wide angle to teles. The graphic shows the schematical horizontal angle of view ratio between each focal length.





watch video at: <http://vimeo.com/39266449>

ZEISS Compact Prime CP.2 Super Speed lenses

Take flexibility even further.

The new Compact Prime CP.2 Super Speed lenses are an ideal complement to the existing range of CP.2 lenses. The aperture of T1.5 gives you an even wider range of creative possibilities when shooting in low light environments or when aiming to achieve a cinematic shallow depth of field. Giving you the freedom to experiment and the flexibility to make your unique vision become reality.

- Interchangeable mount
- Full-frame coverage
- T1.5 for use in low-light situations and for cinematic depth of field
- Compact size and low weight of 0.9 to 1.1 kg
- Standard focus and iris gear positions
- Consistent front diameter
- Longer focus rotation and a manual focus and iris
- Calibrated focus scales
- Manual, continuous aperture control





watch video at: <http://www.youtube.com/watch?v=DdwckqTUUAs>



Accessories

Safety and flexibility for your equipment.

It is not uncommon to have harsh climatic conditions and unforgiving terrain on a shoot. The tailor-made transport case assures greatest safety for your lenses at all times. And with the interchangeable mount set high flexibility in any situation with any camera is always guaranteed.



In order to use the Compact Prime and Zoom lenses on various cine style cameras, we developed an interchangeable mount set (PL, EF, F, Micro 4/3, or E mount) to offer you maximum flexibility on set – no need for adapter solutions anymore.

- Interchangeable mount set consisting of: mount, shims, rear cap, support bracket (except for PL mount) and screws
- Siemens star test chart
- Pre-adjusted Torx torque wrench



To keep your Compact Prime and Zoom lenses safe and ensure uncomplicated transport, we developed a carrying case which is as flexible as the lenses themselves. It has been tested to guarantee maximum protection and can be used for all focal lengths and combinations. Also, the lenses are stored on their sides, making it easy to see their aperture rating, allowing for a quick change when necessary.

- Three versions: 4 lens case, 6 lens case and one for a Zoom lens
- Convenient hand recess for easy handling
- Individual inlays to customize transport case

Technical data

ZEISS Compact Prime lenses

	Aperture	Close Focus ¹	Length ²	Front diameter	Weight	Horizontal Angle of View					
						Full-Frame ³	APS-H ⁴	Super 35 ⁵	Normal 35 ⁶	APS-C ⁷	MFT ⁸
CP.2 15 mm/T2.9	T 2.9 to T 22	0.3 m 12"	86 mm 3.39"	114 mm 4.5"	0.9 kg 2.0 lbs	100°	90°	79°	73°	73°	60°
CP.2 18 mm/T3.6	T 3.6 to T 22	0.3 m 12"	80 mm 3.15"	114 mm 4.5"	0.9 kg 2.0 lbs	-	80°	69°	63°	64°	51°
CP.2 21 mm/T2.9	T 2.9 to T 22	0.24 m 10"	80 mm 3.15"	114 mm 4.5"	1.0 kg 2.2 lbs	81°	71°	61°	55°	56°	45°
CP.2 25 mm/T2.1	T 2.1 to T 22	0.26 m 10"	80 mm 3.15"	114 mm 4.5"	0.9 kg 2.0 lbs	72°	62°	53°	47°	48°	38°
CP.2 28 mm/T2.1	T 2.1 to T 22	0.24 m 10"	80 mm 3.15"	114 mm 4.5"	1.0 kg 2.2 lbs	65°	57°	48°	43°	43°	34°
CP.2 35 mm/T2.1	T 2.1 to T 22	0.3 m 12"	80 mm 3.15"	114 mm 4.5"	1.0 kg 2.2 lbs	54°	47°	39°	35°	35°	28°
CP.2 50 mm/T2.1	T 2.1 to T 22	0.45 m 18"	80 mm 3.15"	114 mm 4.5"	0.9 kg 2.0 lbs	40°	34°	28°	25°	25°	20°
CP.2 85 mm/T2.1	T 2.1 to T 22	1 m 3'3"	80 mm 3.15"	114 mm 4.5"	0.9 kg 2.0 lbs	24°	20°	17°	15°	15°	12°
CP.2 100 mm/T2.1 CF⁹	T 2.1 to T 22	0.7 m 2'6"	132 mm 5.19"	114 mm 4.5"	1.5 kg 3.3 lbs	20°	17°	14°	13°	13°	10°
CP.2 135 mm/T2.1	T 2.1 to T 22	1 m 3'3"	149 mm 5.86"	114 mm 4.5"	1.6 kg 3.5 lbs	15°	13°	11°	9°	9°	7°
CP.2 50 mm/T2.1 Macro¹⁰	T 2.1 to T 22	0.24 m 10"	132 mm 5.19"	134 mm 5.3"	1.4 kg 3.0 lbs	40°	34°	28°	25°	25°	20°
CP.2 35 mm/T1.5 Super Speed	T 1.5 to T 22	0.3 m 12"	91 mm 3.58"	114 mm 4.5"	1.1 kg 2.4 lbs	54°	47°	39°	35°	35°	28°
CP.2 50 mm/T1.5 Super Speed	T 1.5 to T 22	0.45 m 18"	80 mm 3.15"	114 mm 4.5"	0.9 kg 2.0 lbs	40°	34°	28°	25°	25°	20°
CP.2 85 mm/T1.5 Super Speed	T 1.5 to T 22	1 m 3'3"	80 mm 3.15"	114 mm 4.5"	0.9 kg 2.0 lbs	24°	20°	17°	15°	15°	12°

Technical data

ZEISS Compact Zoom lenses

	Mount	Aperture	Focal Length (Wide/Long)	Close Focus ¹	Length ²	Front diameter	Weight	Horizontal Angle of View						
								Wide	Full- Frame ³	APS- H ⁴	Super 35 ⁵	Normal 35 ⁶	APS- C ⁷	MFT ⁸
CZ.2 15 – 30 mm T2.9	PL, EF, F, E, MFT	T 2.9 to T 22	15 mm/ 30 mm	0,55 m 1'1"	198 mm 9.92"	114 mm 4.49"	2.6 kg 5.7 lbs	Wide Long	100° 62°	90° 54°	79° 46°	72° 41°	73° 42°	59° 33°
CZ.2 28 – 80 mm T2.9	PL, EF, F, E, MFT	T 2.9 to T 22	28 mm/ 80 mm	0,83 m 2'8"	196 mm 7.72"	95 mm 3.7"	2.5 kg 5.5 lbs	Wide Long	66° 25°	57° 21°	48° 18°	43° 16°	43° 16°	34° 12°
CZ.2 70 – 200 mm T2.9	PL, EF, F, E, MFT	T 2.9 to T 22	70 mm/ 200 mm	1,52m 5'	250 mm 9.84"	95 mm 3.7"	2.8 kg 6.2 lbs	Wide Long	29° 10°	24° 9°	20° 7°	18° 6°	18° 6°	14° 5°

¹ Close focus distance is measured from the image plane; ² Front to PL mount flange; ³ Horizontal angle of view for a full-frame camera aperture (aspect ratio 1:1.5, dimensions 36 mm x 24 mm / 1.42" x 0.94"); ⁴ Horizontal angle of view for an APS-H camera aperture (aspect ratio 1:1.81, dimensions 30.2 mm x 16.7 mm / 1.19" x 0.66"); ⁵ Horizontal angle of view for an ANSI Super 35 Silent camera aperture (aspect ratio 1:1.33, dimensions 24.9 mm x 18.7 mm / 0.98" x 0.74"); ⁶ Horizontal angle of view for a Normal 35 Academy camera aperture (aspect ratio 1:1.37, dimensions 22 mm x 16 mm / 0.87" x 0.63"); ⁷ Horizontal angle of view for an APS-C camera aperture (aspect ratio 1:1.50, dimensions 22.3 mm x 14.9 mm / 0.88" x 0.59"); ⁸ Horizontal angle of view for a Micro 4/3 (MFT) camera aperture (aspect ratio 1:1.33, dimensions 17.3 mm x 13 mm / 0.68" x 0.51"); ⁹ CF: Close focus capability; ¹⁰ Exposure Compensation is labeled next to the magnification factor

Carl Zeiss AG
Camera Lenses
73446 Oberkochen
Germany

Phone: +49 7364 20-6175
Fax: +49 7364 20-4045

www.zeiss.com/cine