

Unite AP4

Access Point

FEATURES

- 4-channel access point
- High range
- Integrated antennas
- Digital Dante® interface (4 In / 4 Out)
- Ethernet interface (network)
- 4 analogue inputs and outputs (Phoenix®)
- Power supply via PoE (Power over Ethernet)
- With 8 synchronised access points a maximum of 32 audio channels can be transmitted
- Removable mounting plate for wall or ceiling mounting, on a tripod or via VESA adapter plate



VERSIONS

Unite AP4 (EU)	Digital 4-channel access point with integrated antennas, network connection, USB-C, Dante® interface (PoE), 4 analogue inputs and outputs integrated wall and stand mounting, incl. power supply, variant for Europe, 1880 - 1900 MHz Order # 710.482
Unite AP4 (NA)	same as above, but variant for North America, 1920 - 1930 MHz Order # 739.456
Unite AP4 (JP)	same as above, but variant for Japan, 1894 - 1906 MHz Order # 739.464

These three versions may only be used in the appropriate regions and are not compatible with each other.

Trademark

The Dante® word mark and logos are registered trademarks of Audinate Pty. Ltd and all use of these trademarks by beyerdynamic is licensed. Other trademarks and trade names are the property of the respective owners.

SUPPLIED ACCESSORIES

- External 36W power supply with power cable and mains plug (EU: CEE7/16, NA & JP: NEMA 1-15, 2-pin) and C7 device plug
- Thread adapter 1/2" – 3/8" for tripod mounting
- 2 x Phoenix® connectors (FMCD 1,5/6-ST-3,5), contact spacing 3,5 mm, two rows, 6-pin
- 4 x cover plates for cable feed-through of the wall mount (pre-assembled)
- 4 x M5x10 screws (for Vesa adapter plate)
- 4 x M5 nut (for Vesa adapter plate)
- Installation instructions

APPLICATIONS

The Unite AP4 access point is a multifunctional device with which various applications can be realised. With one Unite access point 4 audio channels can be wirelessly transmitted. For a maximum of 32 channels 8 Unite AP 4 can be synchronised in one network. Depending on the configuration, the device works as a transmitter (Broadcast mode) or a receiver with back (Full Duplex mode).

As a transmitter, the Unite AP4 transmits the audio signals of an external audio source on a maximum of 4 DECT channels. Typical applications are e.g. interpreting services in conjunction with an interpreting system, assistive listening and wireless microphone applications. When using several Unite AP4 devices in different operating modes, almost any applications can be combined. Via the Ethernet connection, a maximum of 8 Unite AP4 devices can be integrated into a network consisting of many Unite components. One or more Unite AP4 devices can be configured using the free Unite Manager PC Software. This also enables additional functionalities in the Unite network such as monitoring, maintenance, comprehensive configuration, pairing and setup of transmitters, receivers, chargers and Unite AP4 access points.

How to use the Unite AP4 in a DANTE® network

The DANTE® Audio Interface (DAI) built into the Unite AP4 supports two flows in the DANTE® network at a fixed sample rate of 48 kHz.

Each flow contains 1 to 4 channels. The configuration is done in the free DANTE® controller of the company Audinate®


The following combinations are possible:

- One connected device with 4 channels
- One connected device with 1 channel + one connected device with 3 channels
- Two connected devices with two channels each

Unite AP4

TECHNICAL SPECIFICATIONS

Power supply

Input voltage	100 – 240 V AC, 47–63 Hz
Input current	max. 0,8 A
Output voltage	12 V DC
Output current	3 A
Power cable	supplied depending on the region
Cable length	AC: 2 m [2.19 yds.] DC: 1.5 m [1.64 yds.]
Polarity	

Unite AP4

DECT RF frequency range	1880 - 1930 MHz, depending on the country
DECT transmission power	up to 250 mW (peak), depending on the country
DECT operating range	up to 300 m outside (line of sight); the actual operating range depends upon the RF output settings, the surroundings, the signal absorption, signal reflection and signal interference
RF coverage	up to 10,000 m ² ; the actual coverage depends upon the RF output settings, the surroundings, the signal absorption, signal reflection and signal interference
Audio bandwidth	High quality (HD) 50 Hz - 14 kHz (-3 dB)
Operating mode	Broadcast (4 channels)
Encryption	AES-256 bit encryption
Antenna	Diversity, internal
Polar pattern of antennas	two omnidirectional antennas with front-facing main lobe

Minimum distance between several Unite AP4 devices: 2 m [2.19 yds.]

Connections	<ul style="list-style-type: none">• Ethernet (RJ 45)• USB-C (currently not implemented)• DC input, DC 12 V, power consumption max. 12 W• Sync input (RJ 45)• Sync output (RJ 45)• Digital: Dante® (RJ 45; PoE: 12 W IEEE 802.3af-2003, 36 V - 57 V, only 48 kHz sample rate supported)
-------------	---------------------------------------------------------------------------------------------------------------------------------------------------------------------------------------------------------------------------------------------------------------------------------------------------------------------------------------------------

Connections	<ul style="list-style-type: none">• Analogue: Phoenix® socket, balanced, contact spacing 3.5 mm [0.14"], two-rowed, 6-pin, balanced and shielded connecting cables requiredInput level (4-channel In): max. +7 dBuInput level for 0 dBFS @ 0 dB Gain: +5 dBu
-------------	----------------------------------------------------------------------------------------------------------------------------------------------------------------------------------------------------------------------------------------------------------------------------------------------

Required cable features for RJ 45 Ethernet, Dante® and Sync connectors

Cable type	Cat 5e AWG 24/1 F/UTP, shielded, assignment 1:1
Cable length for Ethernet, Dante® and Sync	100 m [109 yds.]
Total length of all Sync cables	max. 700 m [766 yds.]

Reset button	to restore the factory settings (network, audio, DECT)
--------------	--------------------------------------------------------

Network default	DHCP (IP)
-----------------	-----------

Indicator	Status LED
Mounting for Vesa mount	75 x 75 mm [2.95" x 2.95"]
Mounting holes for secondary safety rope	available (safety rope not included in the delivery)

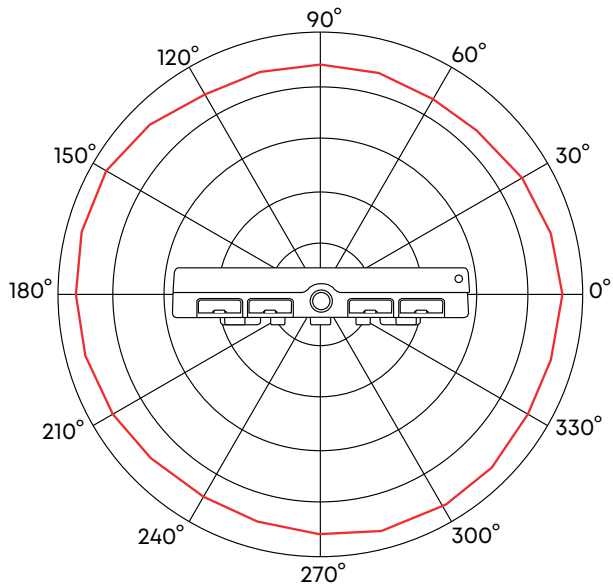
Temperature range	Operation: 0 to +40 °C [32 to 104 °F] Storage: -20 to +50 °C [-4 to 122 °F]
Relative humidity	0 to 90%
Dimensions (L x W x H)	260 x 252 x 48 mm [10.2" x 9.92" x 1.89"]
Weight	860 g [30.34 oz.]

Dante® network

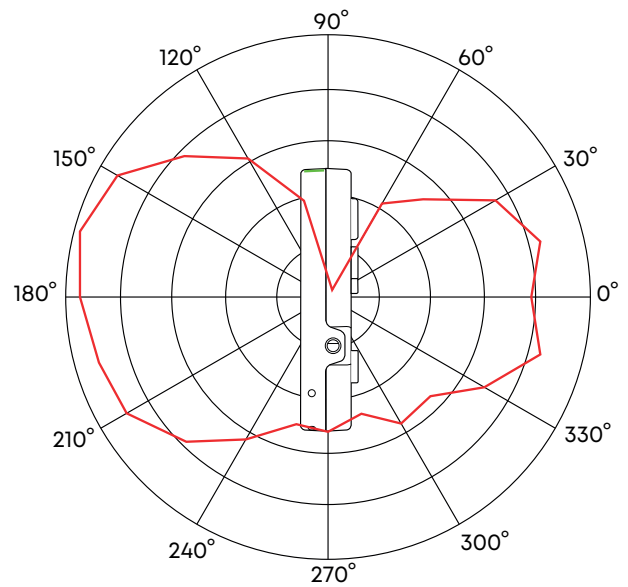
Sampling rate	48 kHz
Sampling rate pull-up/down support	yes
Encoding formats	PCM16, PCM24 and PCM32
Latency values	1ms, 2ms and 5ms
Device name	changeable
Localisation function	no
AES67 support	no
Support of static IP address	yes

Unite AP4

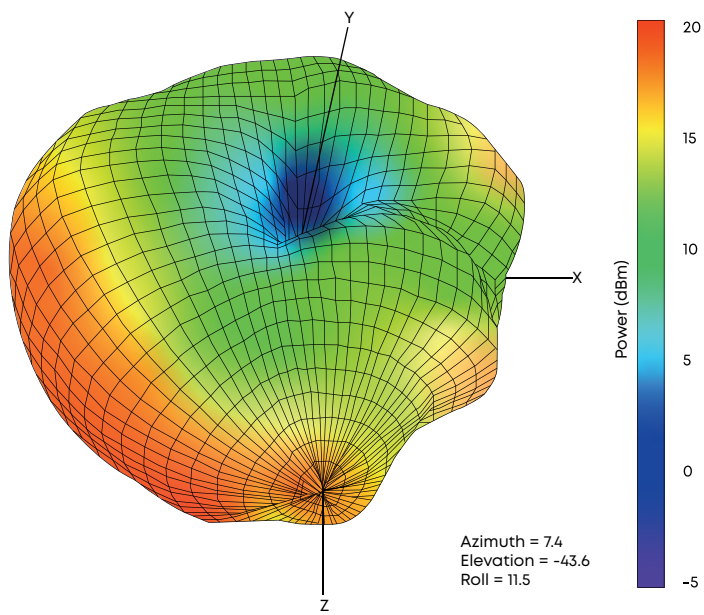
POLAR PATTERN ANTENNAS



Horizontal directivity



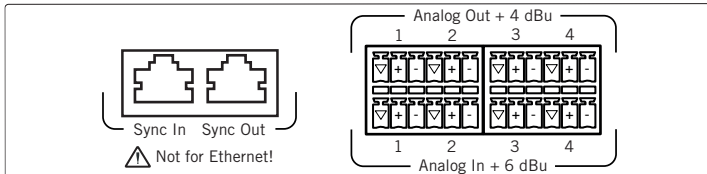
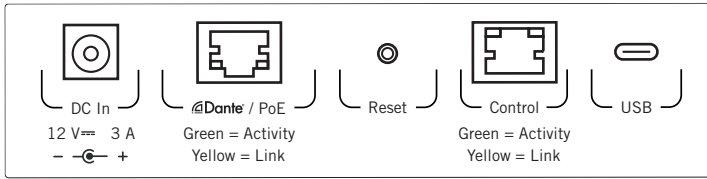
Vertical directivity



3D polar pattern

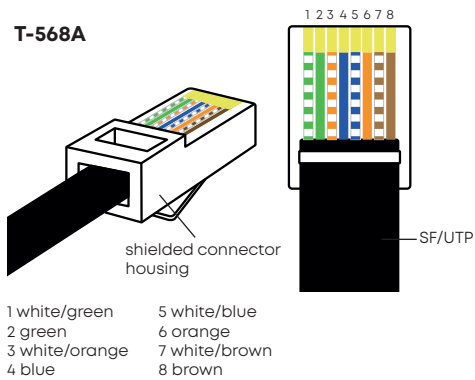
Unite AP4

PIN ASSIGNMENT

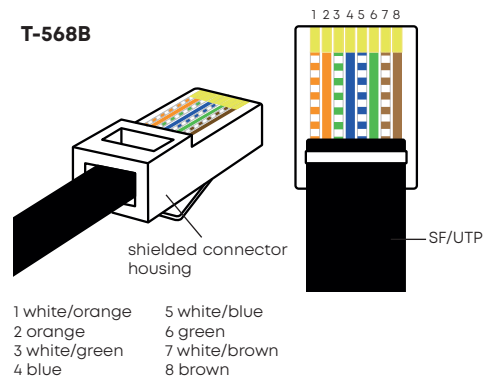


PINOUT RJ45

T-568A



T-568B



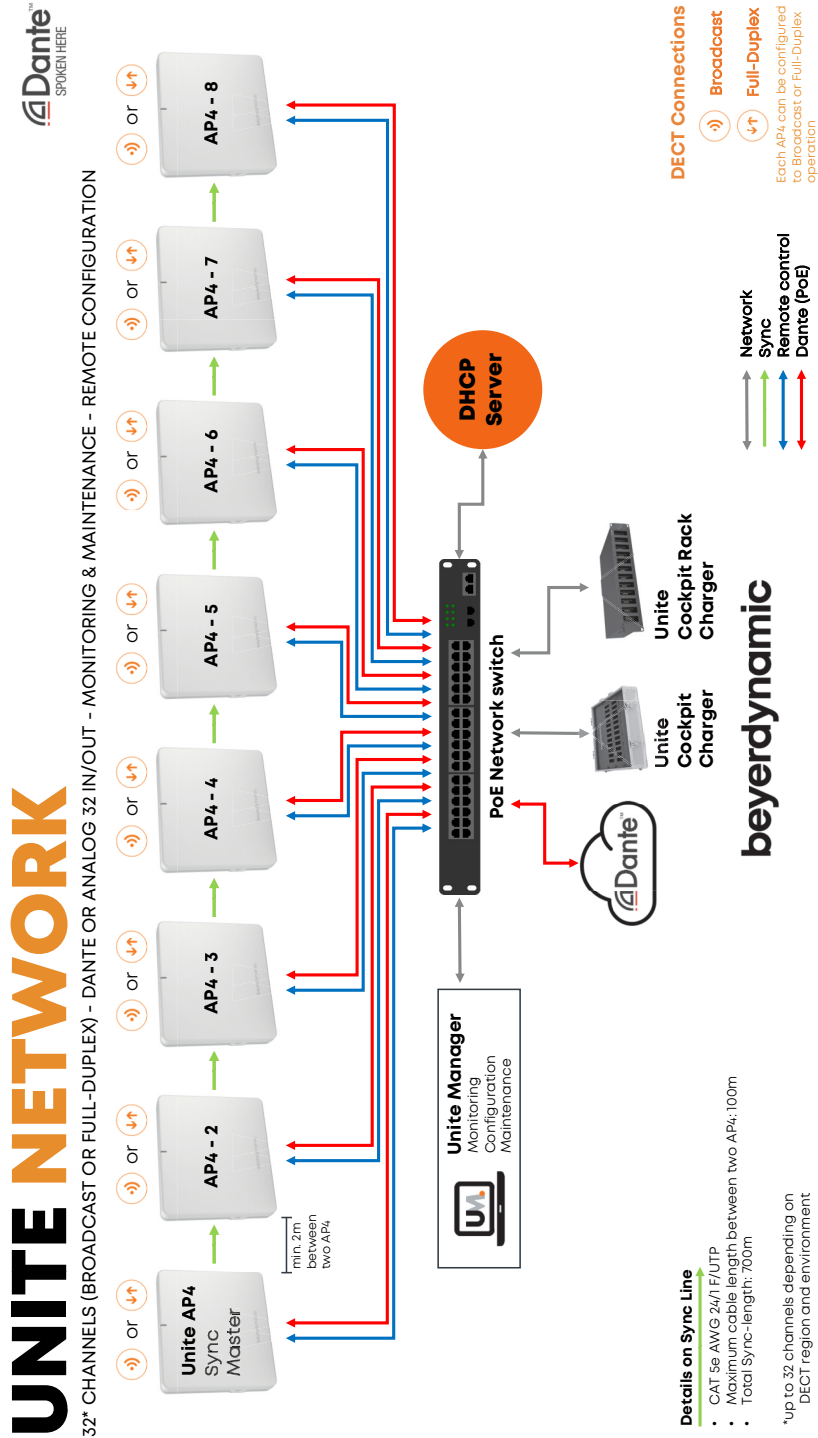
Important:

Please use shielded connector housings. Twist the shield of the cable and fold it backwards so that a connection between the shield of the cable and the connector housing is created when crimping the strain relief of the cable. Use either the T-568A or T-568B pin assignment for both cable ends. Do not use both pin assignments for one cable.

Unite AP4

NETWORK BUILD-UP

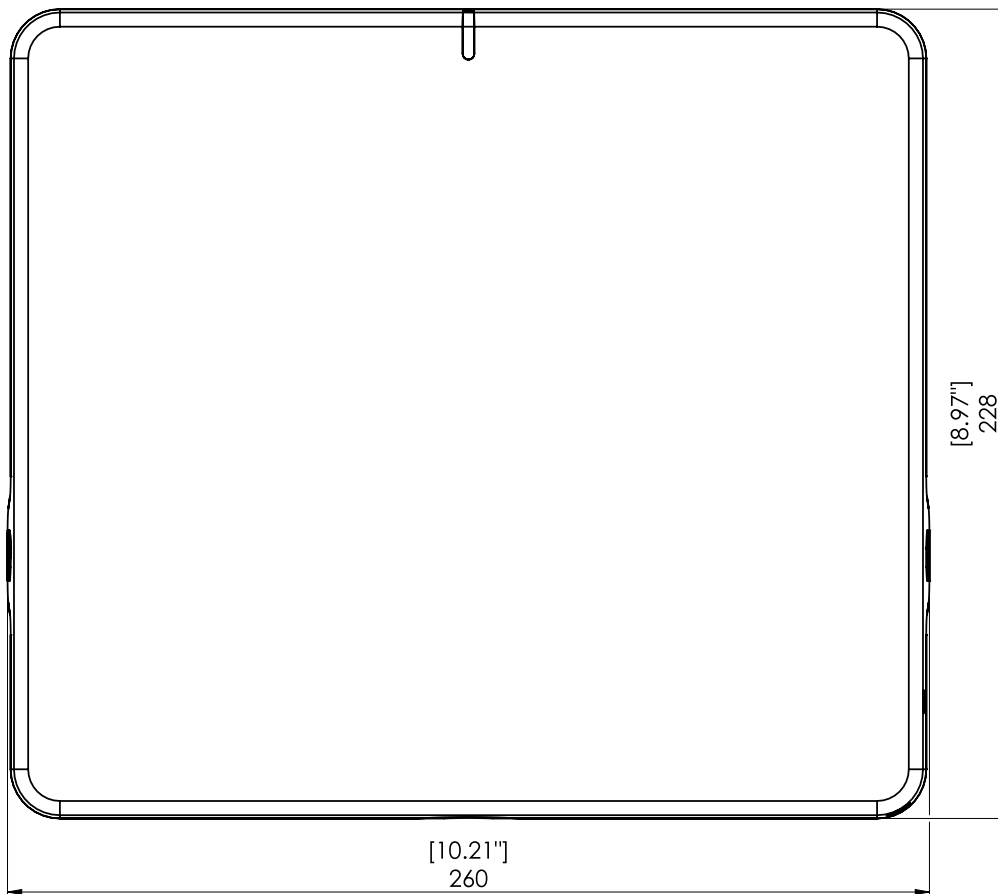
The configuration of one or more Unite AP4 is performed via the free Unite Manager Software:
<https://global.beyerdynamic.com/unite-manager.html>



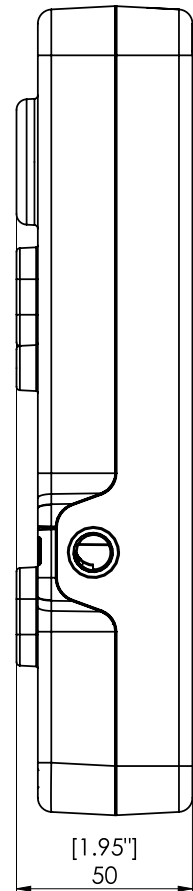
Unite AP4

DIMENSIONS

Front view



Side view



All dimensions in mm and [inch]

6 of 11

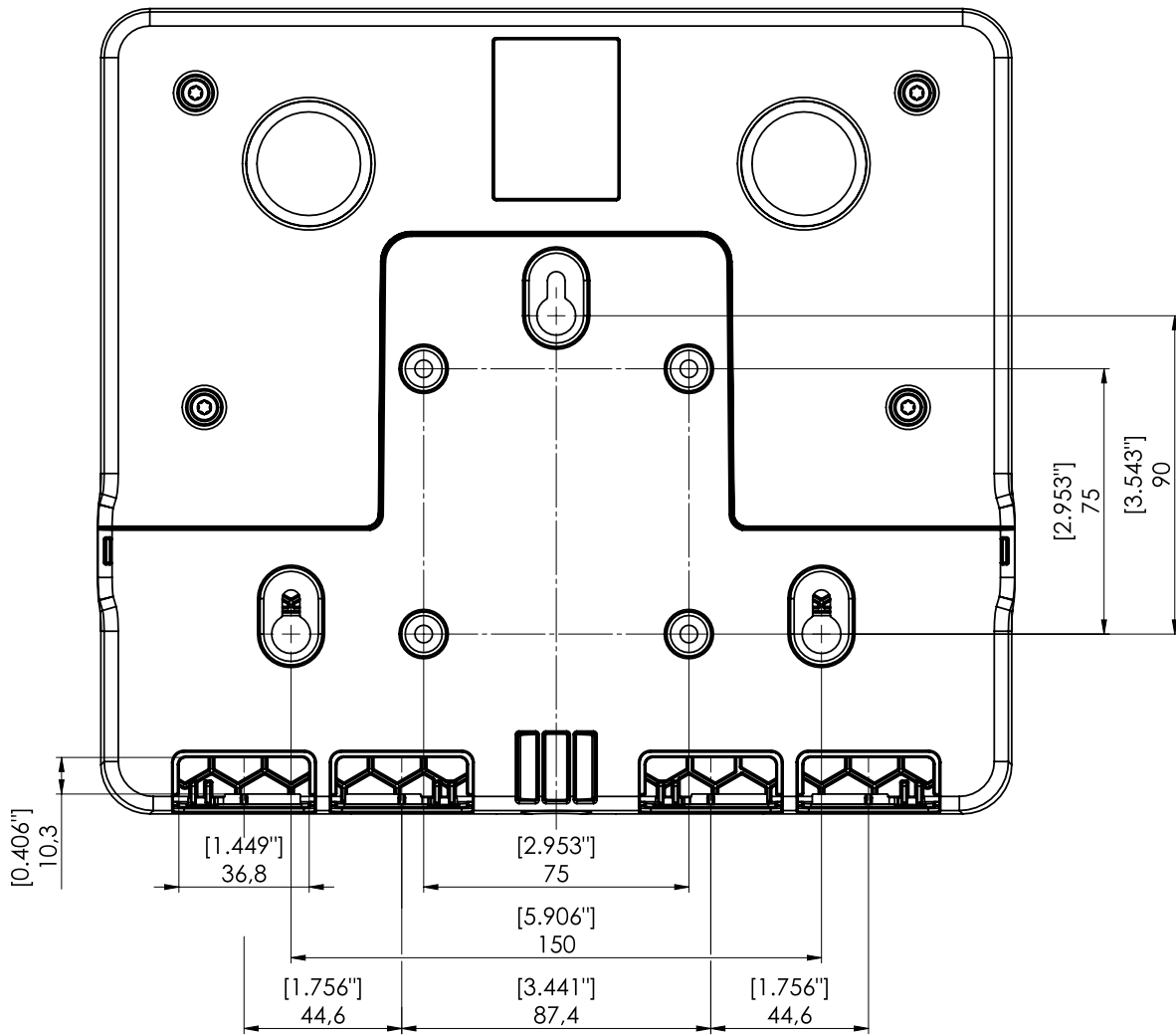
beyerdynamic GmbH & Co. KG
Theresienstr. 8 · 74072 Heilbronn – Germany
Tel. +49 (0) 71 31 / 617 - 300 · info@beyerdynamic.de · www.beyerdynamic.com

For further distributors worldwide, please go to www.beyerdynamic.com
Non-contractual illustrations. Contents subject to change without notice. E3 / Unite AP4 (12.19)

beyerdynamic

Unite AP4

Rear view



All dimensions in mm and [inch]

7 of 11

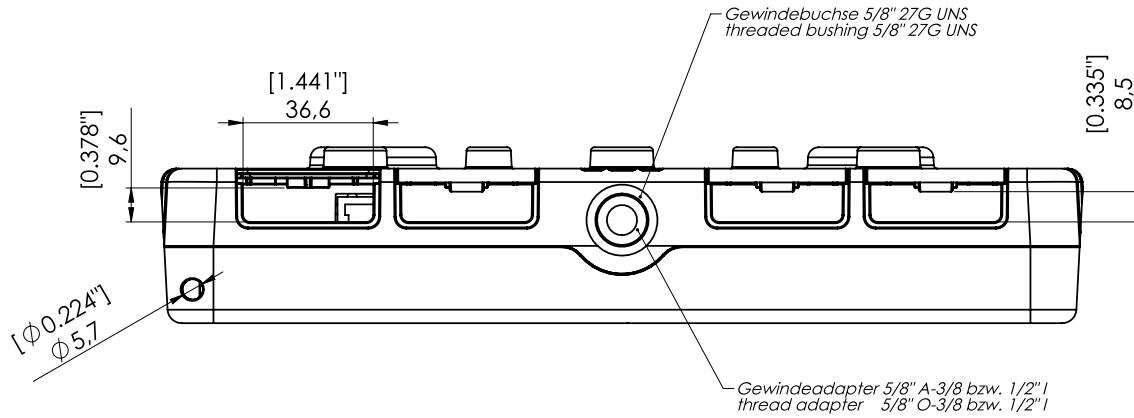
beyerdynamic GmbH & Co. KG
Theresienstr. 8 · 74072 Heilbronn – Germany
Tel. +49 (0) 71 31 / 617 - 300 · info@beyerdynamic.de · www.beyerdynamic.com

For further distributors worldwide, please go to www.beyerdynamic.com
Non-contractual illustrations. Contents subject to change without notice. E3 / Unite AP4 (12.19)

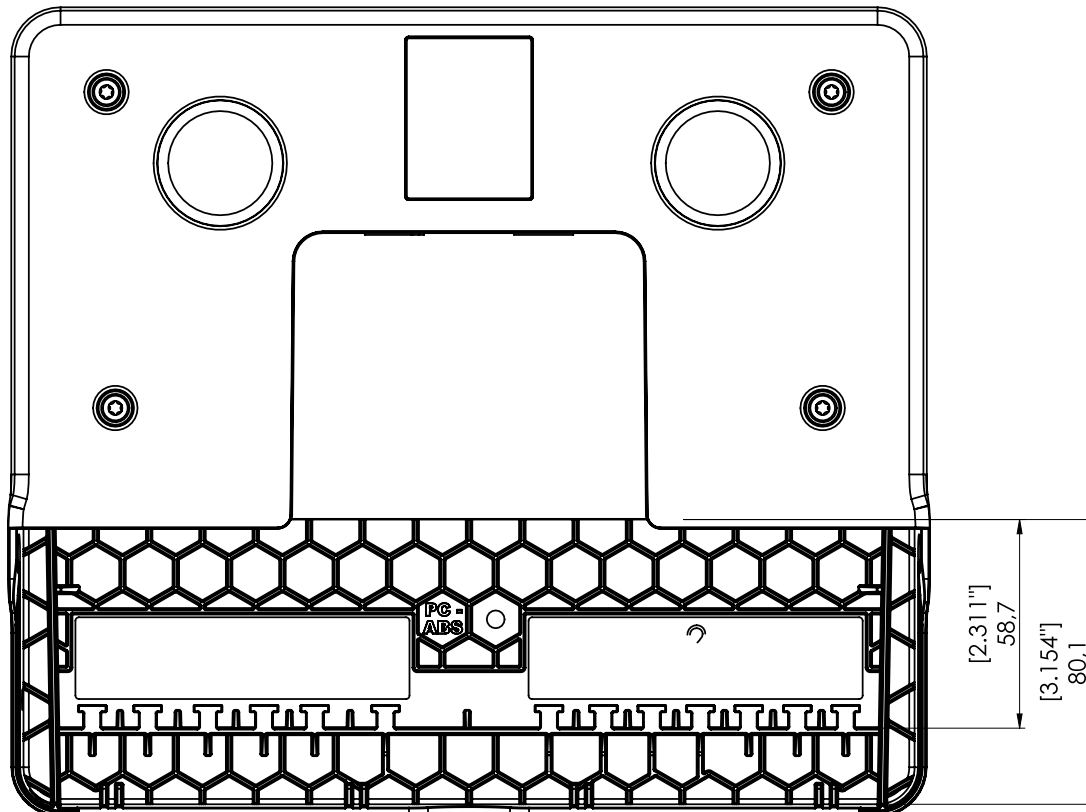
beyerdynamic

Unite AP4

Bottom view



Rear view with mounting plate removed – cable duct



All dimensions in mm and [inch]

8 of 11

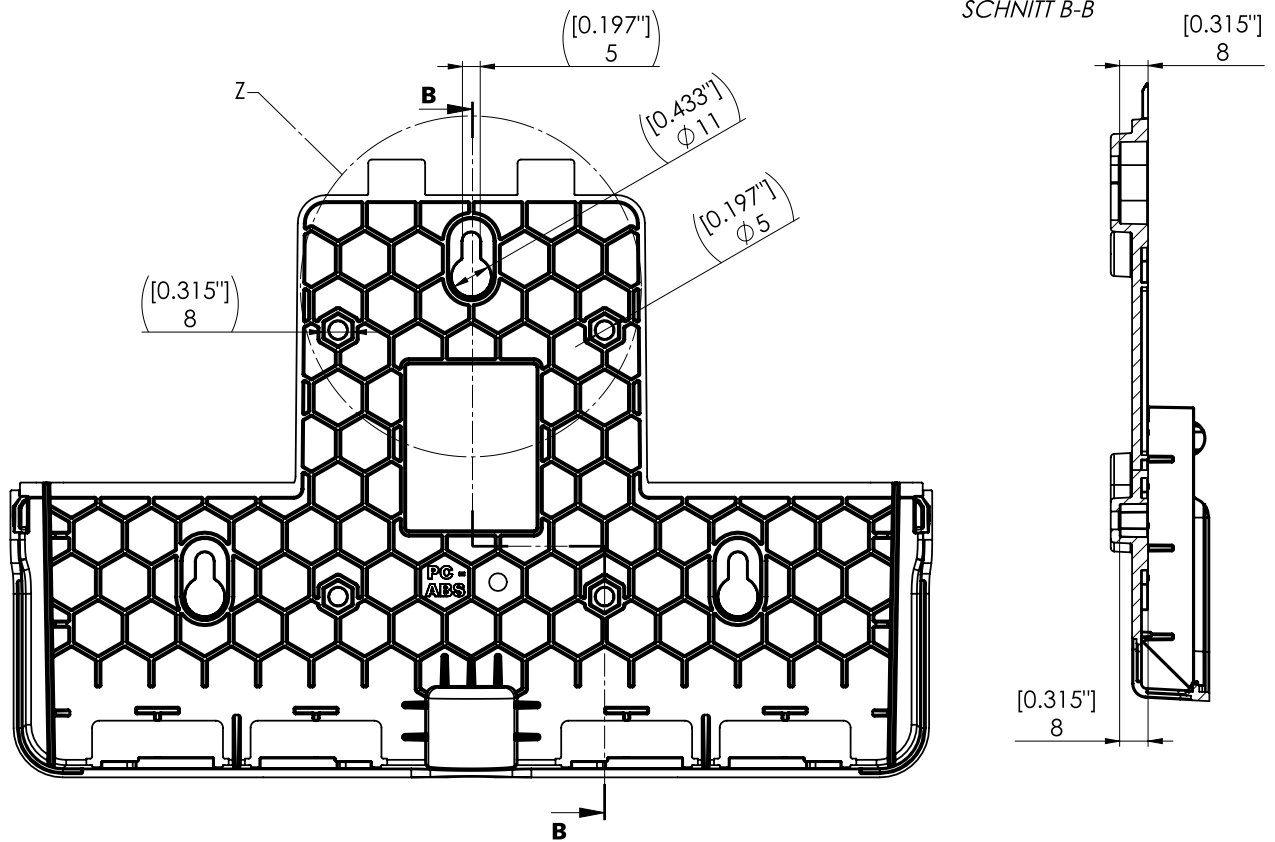
beyerdynamic GmbH & Co. KG
Theresienstr. 8 · 74072 Heilbronn – Germany
Tel. +49 (0) 71 31 / 617 - 300 · info@beyerdynamic.de · www.beyerdynamic.com

For further distributors worldwide, please go to www.beyerdynamic.com
Non-contractual illustrations. Contents subject to change without notice. E3 / Unite AP4 (12.19)

beyerdynamic

Unite AP4

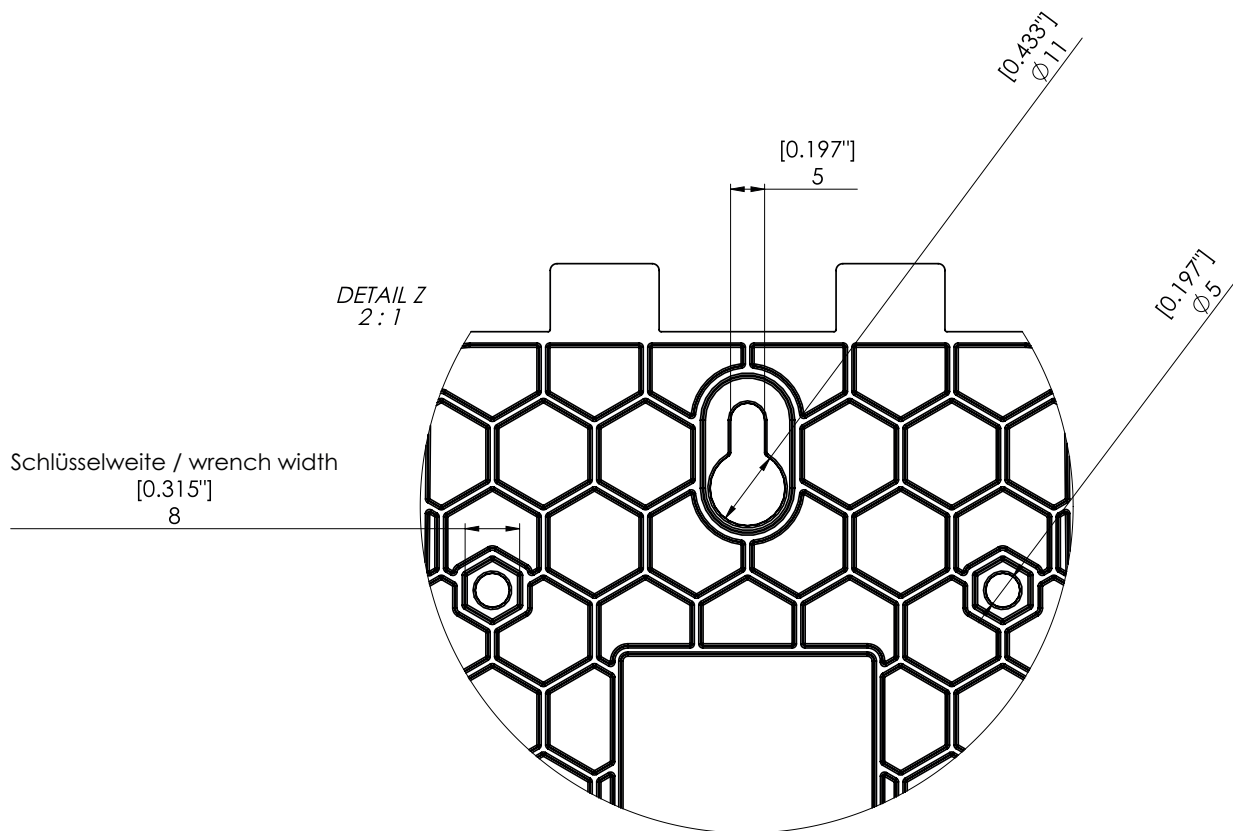
Dimensions of fixing holes for wall mounting and for VESA adapter plate



All dimensions in mm and [inch]

Unite AP4

Dimensions of fixing holes for wall mounting and for VESA adapter plate in detail



All dimensions in mm and [inch]

10 of 11

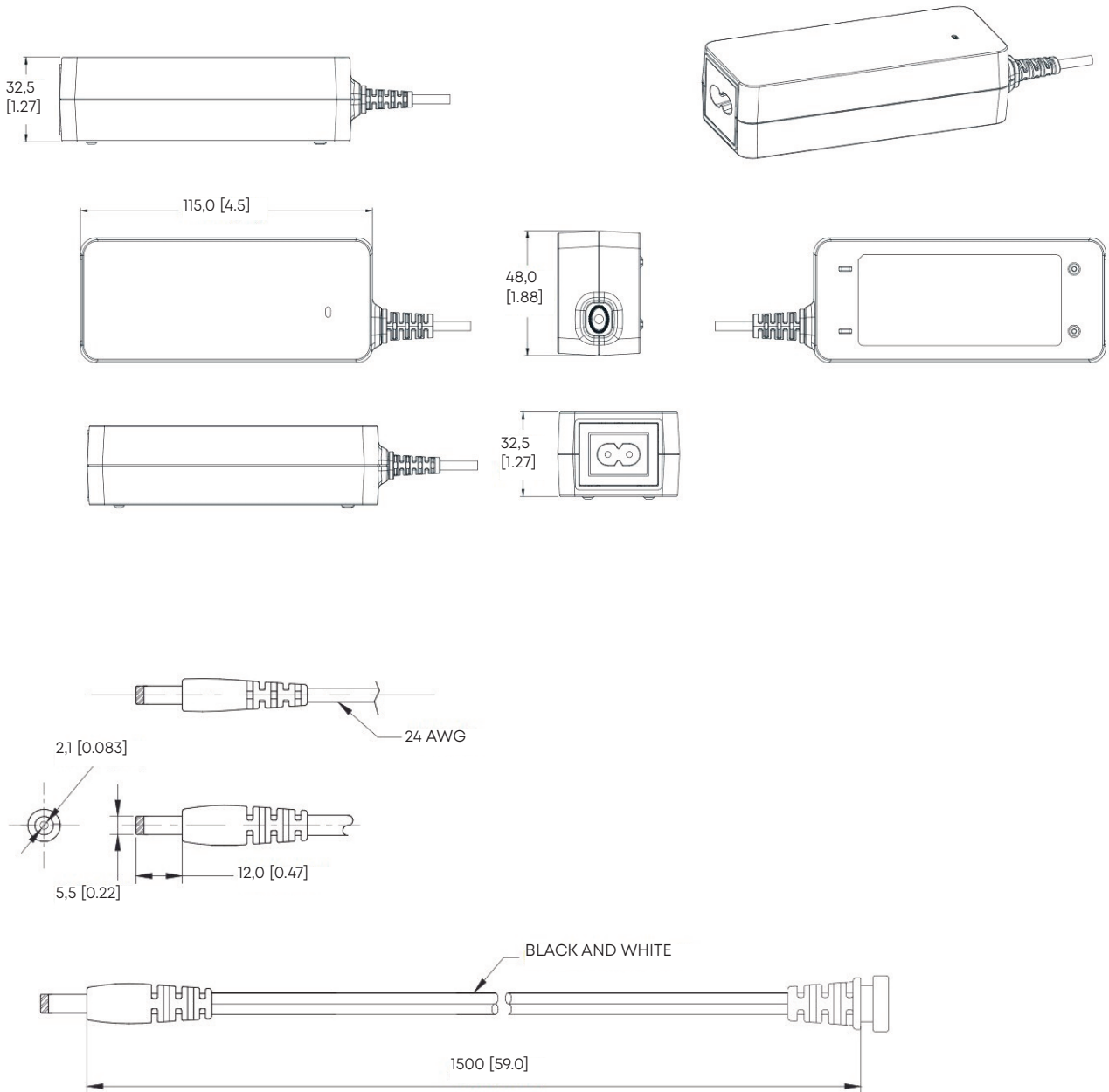
beyerdynamic GmbH & Co. KG
Theresienstr. 8 · 74072 Heilbronn – Germany
Tel. +49 (0) 71 31 / 617 - 300 · info@beyerdynamic.de · www.beyerdynamic.com

For further distributors worldwide, please go to www.beyerdynamic.com
Non-contractual illustrations. Contents subject to change without notice. E3 / Unite AP4 (12.19)

beyerdynamic

Unite AP4

DIMENSIONS POWER SUPPLY AND CABLE



All dimensions in inch and [mm]

11 of 11

beyerdynamic GmbH & Co. KG
Theresienstr. 8 · 74072 Heilbronn – Germany
Tel. +49 (0) 71 31 / 617 - 300 · info@beyerdynamic.de · www.beyerdynamic.com

For further distributors worldwide, please go to www.beyerdynamic.com
Non-contractual illustrations. Contents subject to change without notice. E3 / Unite AP4 (12.19)

beyerdynamic