

# DVI DA2 and DVI DA4 Setup Guide

These instructions provide a quick setup guide for the Extron® DVI DA2 and DVI DA4. Installation and service must be performed by authorized personnel only. To install, cable, and power on the DVI DA2 and DVI DA4:

**IMPORTANT:**  
Refer to [www.extron.com](http://www.extron.com) for the complete user manual and installation instructions before connecting the product to the power source.

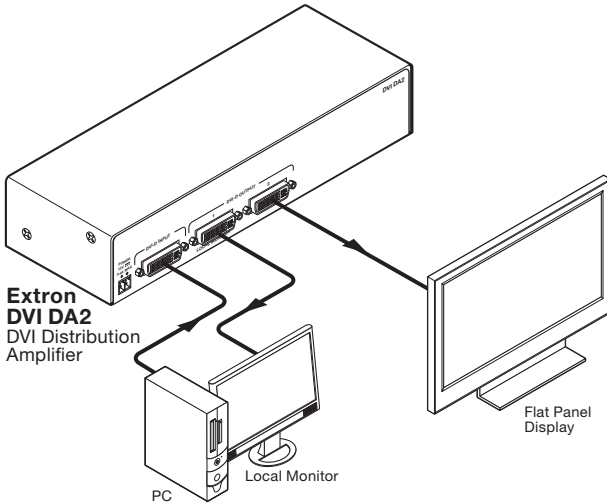
## Step 1 — Mounting

Install the DVI DA2 or DVI DA4 on a desk, or mount it under a desk or in a rack.

## Step 2 — DVI Input/Output Cable Connections

Connect these cables, but do not power on the equipment yet:

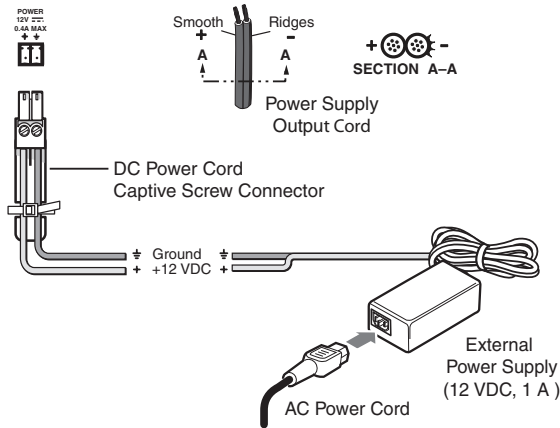
- Connect a DVI cable from the Input connector to the video source device.
- Connect a DVI cable from the Local Monitor connector to the desired local output device.
- Connect DVI cables from the output connectors to the desired display devices.



# DVI DA2 and DVI DA4 Setup Guide (Continued)

## Step 3 — Power Cable Connections

Connect the 12 VDC power supply to the power receptacle of the unit.



**CAUTION:** This product is intended to be supplied by a Listed Power Unit marked “Class 2” or “LPS”, rated 12 VDC, maximum 1.0 A. Always use a power supply supplied or specified by Extron. Use of an unauthorized power supply voids all regulatory compliance certification and may cause damage to the supply and the end product.

Unless otherwise stated, the AC/DC adapters are not suitable for use in air handling spaces or in wall cavities. The power supply is to be located within the same vicinity as the Extron A/V processing equipment in an ordinary location, Pollution Degree 2, secured to the equipment rack within the dedicated closet, podium, or desk.

The installation must always be in accordance with the applicable provisions of National Electrical Code ANSI/NFPA 70, article 75, and the Canadian Electrical Code part 1, section 16. The power supply shall not be permanently fixed to building structure or similar structure.

**NOTES:** The length of the exposed wires in the stripping process is critical. The ideal length is 3/16 inches (5 mm). If the exposed section is longer, the exposed wires may touch, causing a short circuit between them. If it is shorter, the wires can be easily pulled out even if tightly fastened by the captive screws.

Do not tin the wires. Tinned wire does not hold its shape and can become loose over time.

## Step 4 — Applying Power

**NOTE:** Output 1 is used as DDC reference and Hotplug Detect and a local monitor must be connected to it before the source device is powered on. Since Output 1 is used for reference, all displays connected to the other outputs must be capable of handling resolutions greater than or equal to that of Output 1.

- Power on the local monitor.
- Power on the display devices.
- Power on the source input device.

Extron USA - West Headquarters	Extron USA - East	Extron Europe	Extron Asia	Extron Japan	Extron China	Extron Middle East
+800.633.9876 Inside USA / Canada Only	+800.633.9876 Inside USA / Canada Only	+800.3987.6673 Inside Europe Only	+800.7339.8766 Inside Asia Only	+81.3.3511.7655 +81.3.3511.7656 FAX	+400.883.1568 Inside China Only	+971.4.2991800 +971.4.2991880 FAX
+1.714.491.1500 +1.714.491.1517 FAX	+1.919.863.1794 +1.919.863.1797 FAX	+31.33.453.4040 +31.33.453.4050 FAX	+65.6383.4400 +65.6383.4664 FAX		+86.21.3760.1568 +86.21.3760.1566 FAX	

© 2010 Extron Electronics. All rights reserved. [www.extron.com](http://www.extron.com) 68-1376-10  
Rev C  
04 10