

SMART RENTAL FRAME - VIDEOWALL



VIDEOWALL - SMART RENTAL FRAME

SmartMetals recently launched a modular VideoWall system for wall, floor and truss installations; called the Smart Rental Frame. This new VideoWall solution is compact to transport, lightweight and is suitable for most seamless displays on the market.

The brackets are custom-made for your monitor, offer a horizontal and vertical fine adjustment for the monitors, plus they provide the possibility to change between a portrait and landscape screen position. SmartMetals obtained a TÜV certification on the Smart Rental Frame offering more security and safety for working with these products.

With wall installation, the bracket frames fitted with a screen specific bracket, are screwed to the wall. Through special draw latches they are fastened to neighbouring frames. When installing on the floor the floor frames are levelled on their location, coupling frames are fastened to these frames with camlocks, after which the bracket frames incl. screen specific brackets are connected with draw latches. When planning to fly the VideoWall in the truss, the floor frames are replaced by stabilizer frames and at the top of the coupling and bracket frames special fly sets are attached. These fly sets include an adjustment to level the VideoWall in the truss. The screen specific brackets include four keyholes in which the display (fitted with 4 coupling bolts) is hung.

These innovations result in an impressive VideoWall which is now even easier and more precise to install than before.

Features

- For portrait and landscape screen position
- When mounting more than one screen the brackets are custom made for your type of display
- Short installation time

MOUNTING INSTRUCTIONS

TABLE OF CONTENTS

SAFETY PRECAUTIONS	2
PARTS	3
FLOOR ARRANGEMENT	5
TRUSS ARRANGEMENT (FLY)	12
TRUSS ARRANGEMENT (FLOOR)	17
TÜV REGULATION	23
WALL ARRANGEMENT	24
LCD SCREEN ASSEMBLY	27
CONTACT	33

MOUNTING INSTRUCTIONS

SAFETY PRECAUTIONS

OBEY THE FOLLOWING SAFETY PRECAUTIONS DURING ASSEMBLY, USAGE AND DISMANTLING:

- Use steel toe shoes, gloves and a construction helmet during (dis) assembly.
- Make sure that the room during (dis) assembly is clean, free of obstacles, adequately lit and not accessible to unauthorized people.
- Make sure the ground is level, stable and hard.
- Use floor frames 082.5010 (55 inch) or 082.5110 (46 inch) in combination with coupling frames 082.5020 (55 inch) or 082.5120 (46 inch) in an enclosed space where the wind speed is not more than 3m/s (equivalent to 2bft).
- At higher wind speeds (incidentally max 23m/s, 9Bft) the enlarged floor frame 082.5010-0001 (55 inches) or 082.5110-0001 (46 inches) must be used in combination with coupling frames 082.5020-0001 or -0002 (55 inch) or 082.5120-0001 or 082.5120-0002 (46 inches). The structure must be stiffened with a truss X30 with an equal height as the frame and used with sufficient weight. See also the installation instructions.
- The arrangement must NOT exceed 5 bracket frames in height for a landscape arrangement, 3 bracket frames in height for a portrait arrangement and the arrangement must have in all cases at least two frame brackets in width.
- Make sure that unauthorized people cannot get behind a Smart Rental Frame arrangement and cannot climb into it.
- Make sure that, with a Smart Rental Frame hanging arrangement, no one can touch the construction.

TÜV REGULATION – See page 23

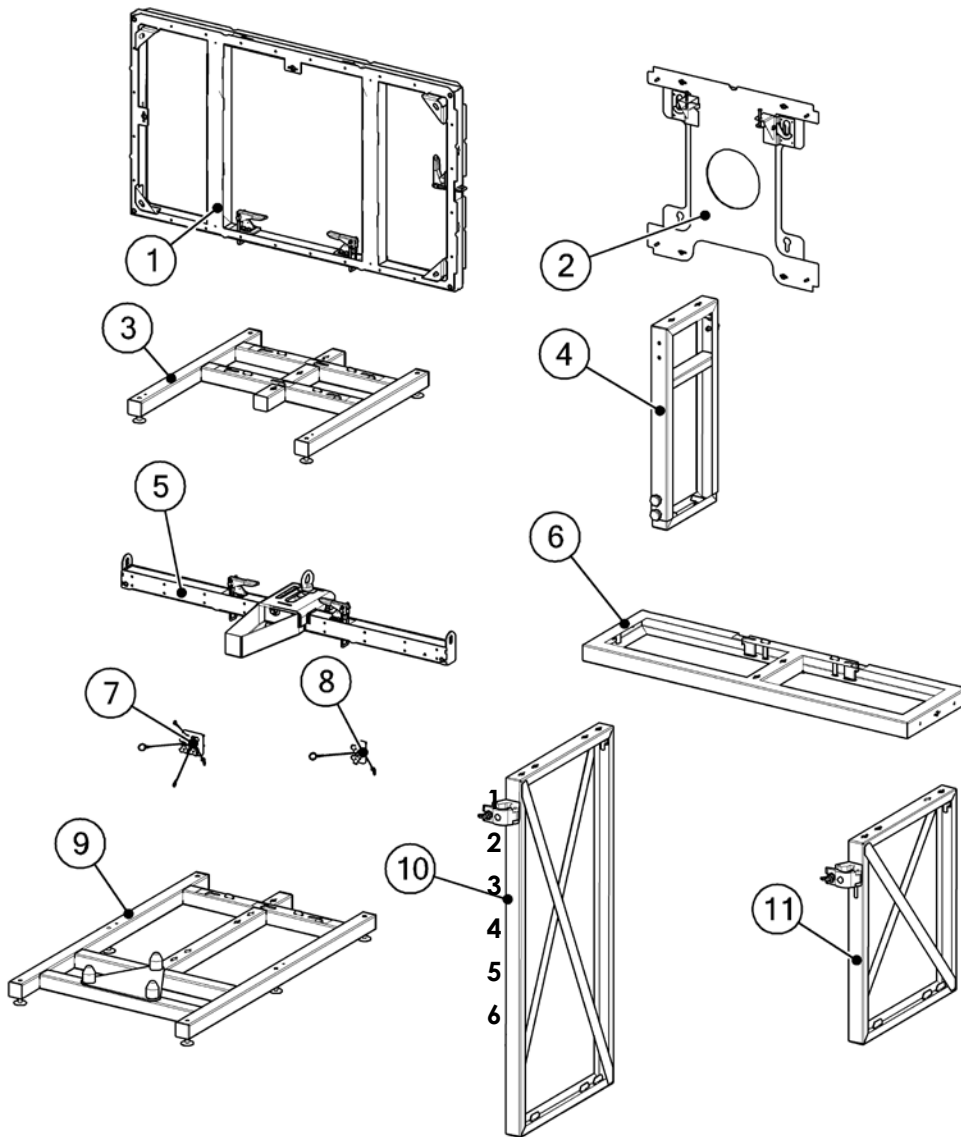


CAUTION:

For safety reasons, it is important to not forget the mounting step if this sign is shown.

MOUNTING INSTRUCTIONS

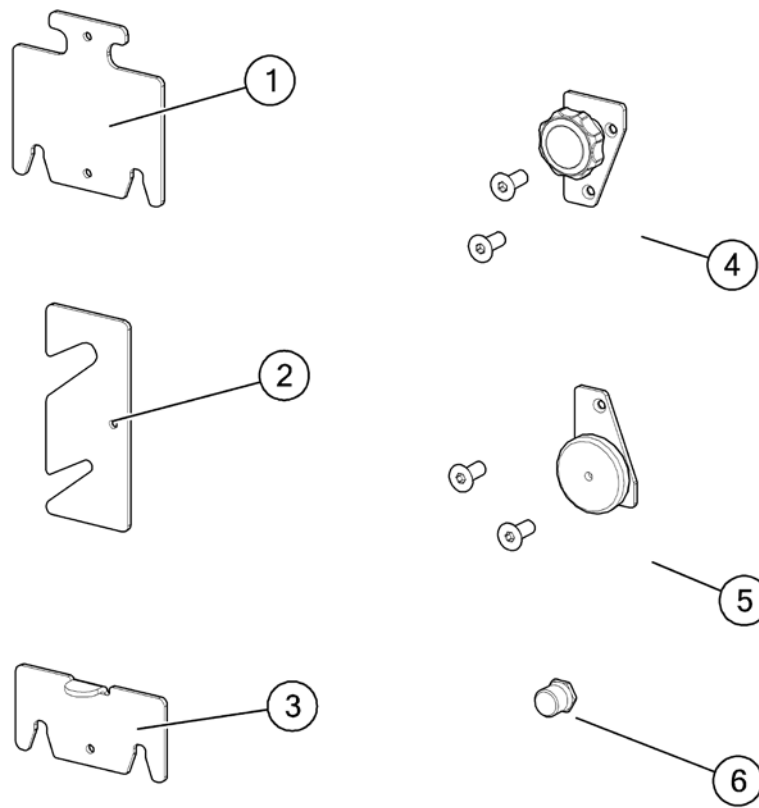
PARTS



POS	Part Number	POS	Part Number
1		7	
2		8	
3		9	
4		10	
5		11	
6			

MOUNTING INSTRUCTIONS

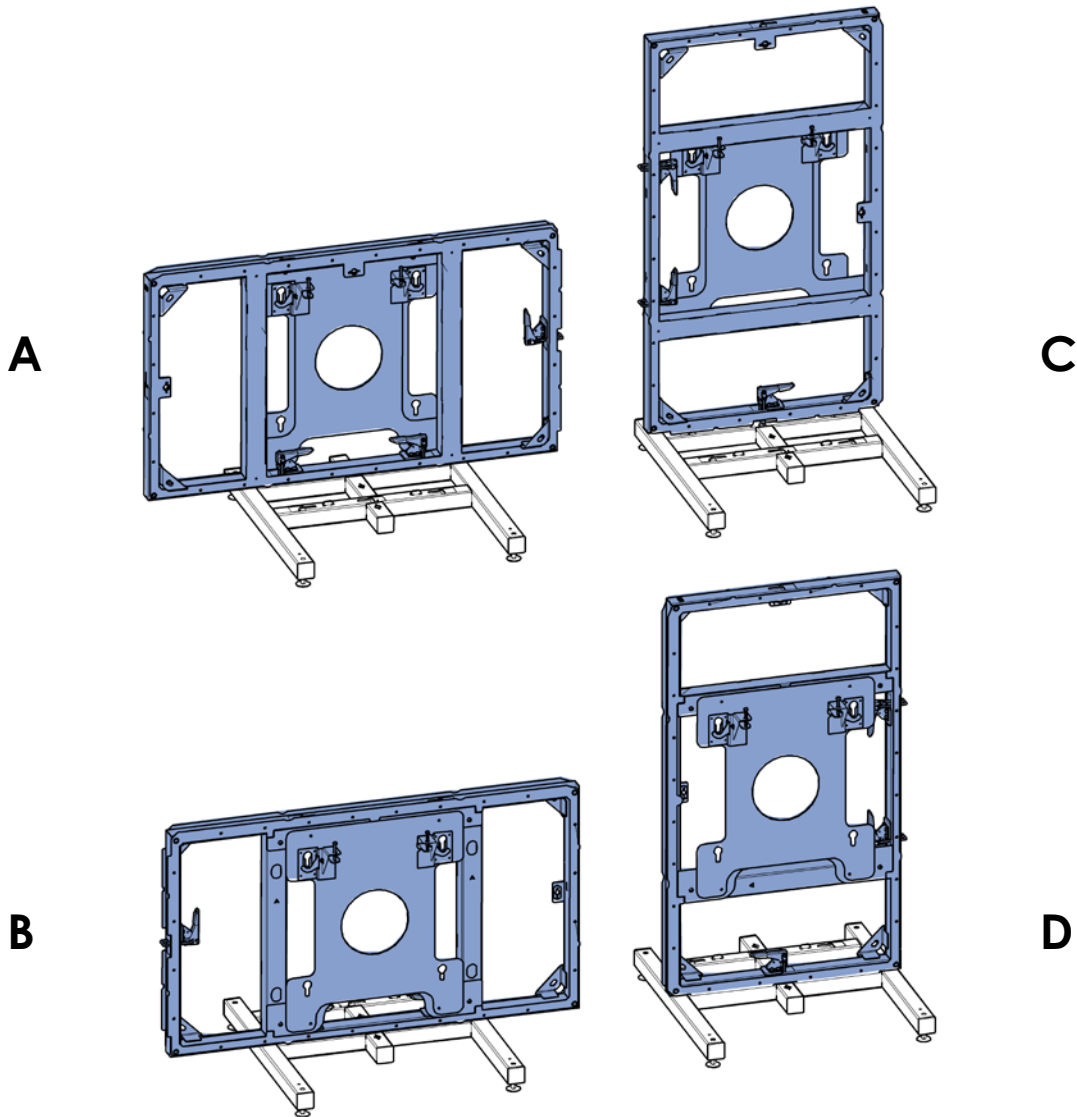
PARTS



POS	Part Number	POS	Part Number
1			
2			
3			
4			
5			
6			

MOUNTING INSTRUCTIONS

FLOOR ARRANGEMENT

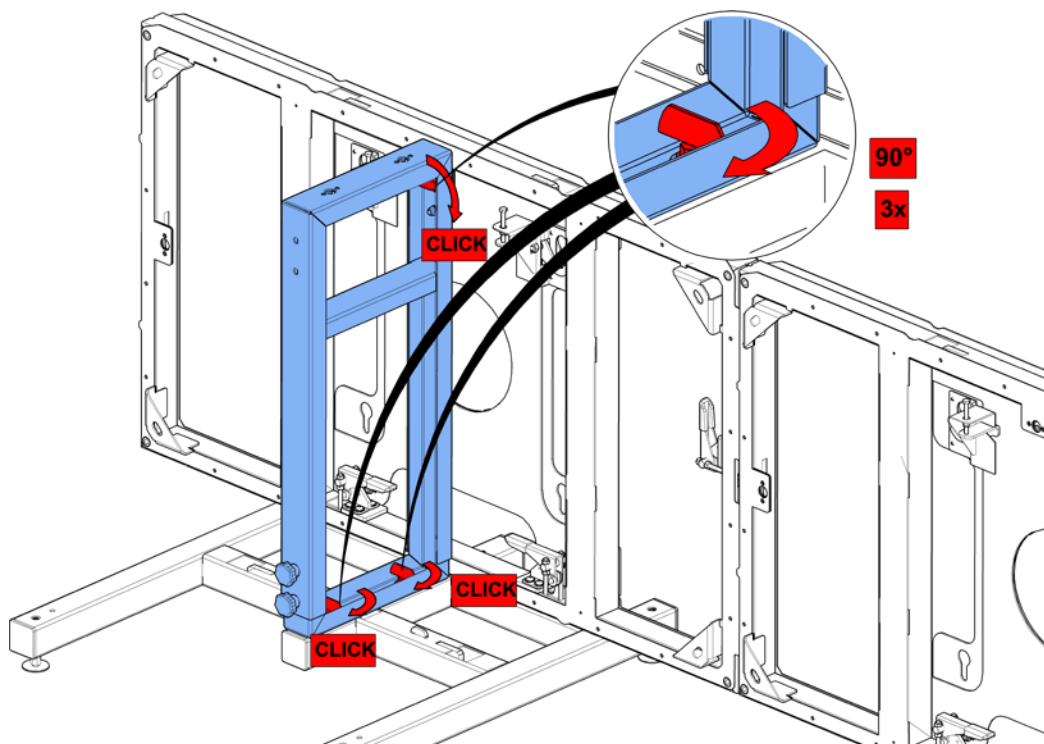
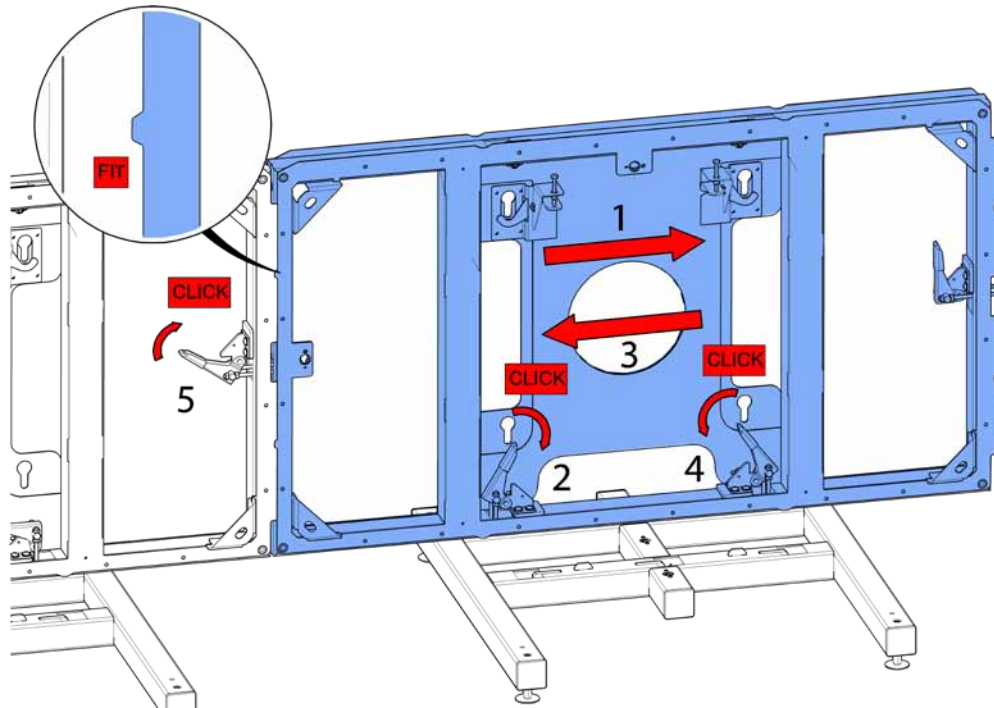


Options

- A - Landscape, position 1
- B - Landscape, position 2
- C - Portrait, position 1
- D - Portrait, position 2

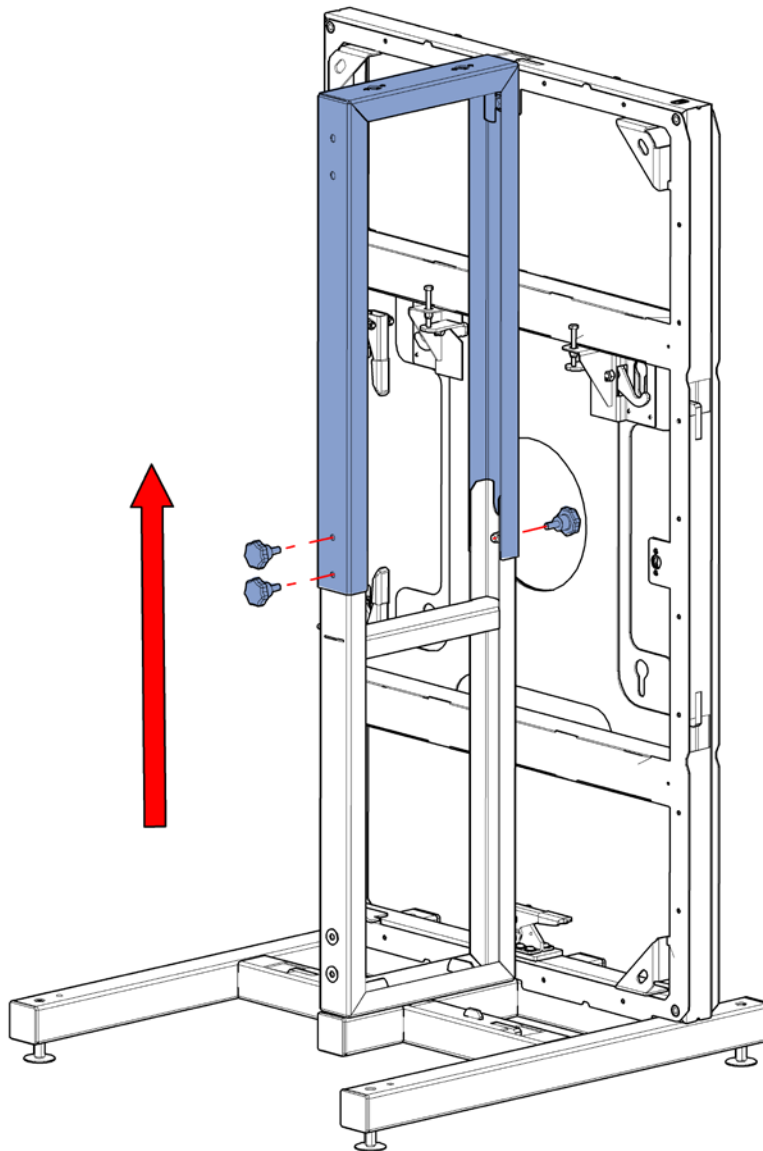
MOUNTING INSTRUCTIONS

FLOOR ARRANGEMENT



MOUNTING INSTRUCTIONS

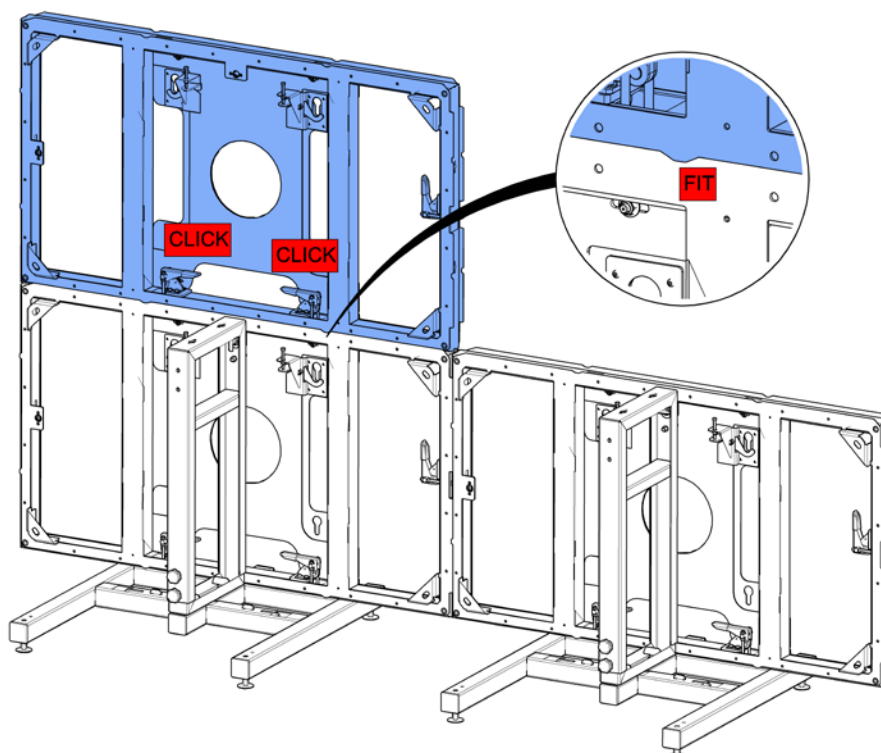
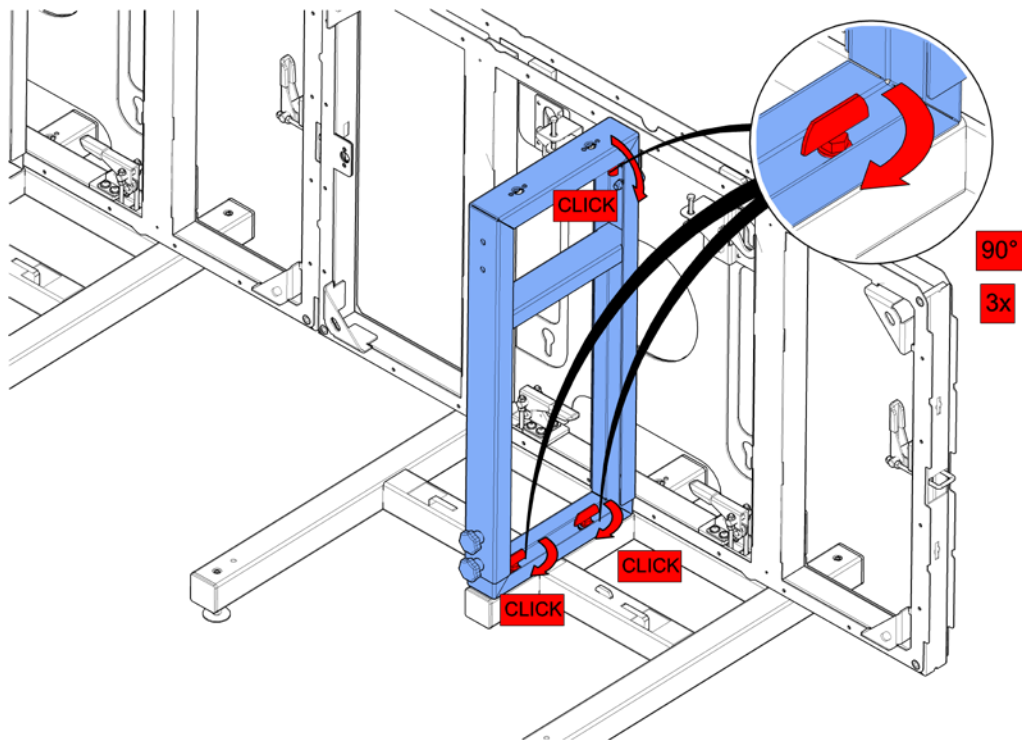
FLOOR ARRANGEMENT



Enlarge coupling frame for portrait option

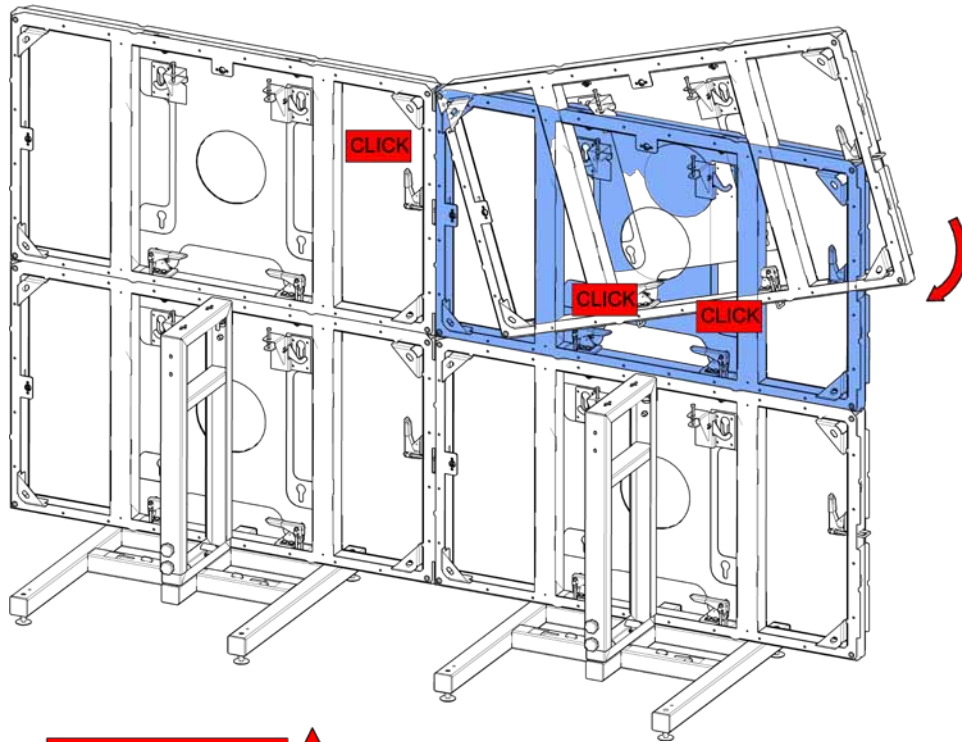
MOUNTING INSTRUCTIONS

FLOOR ARRANGEMENT

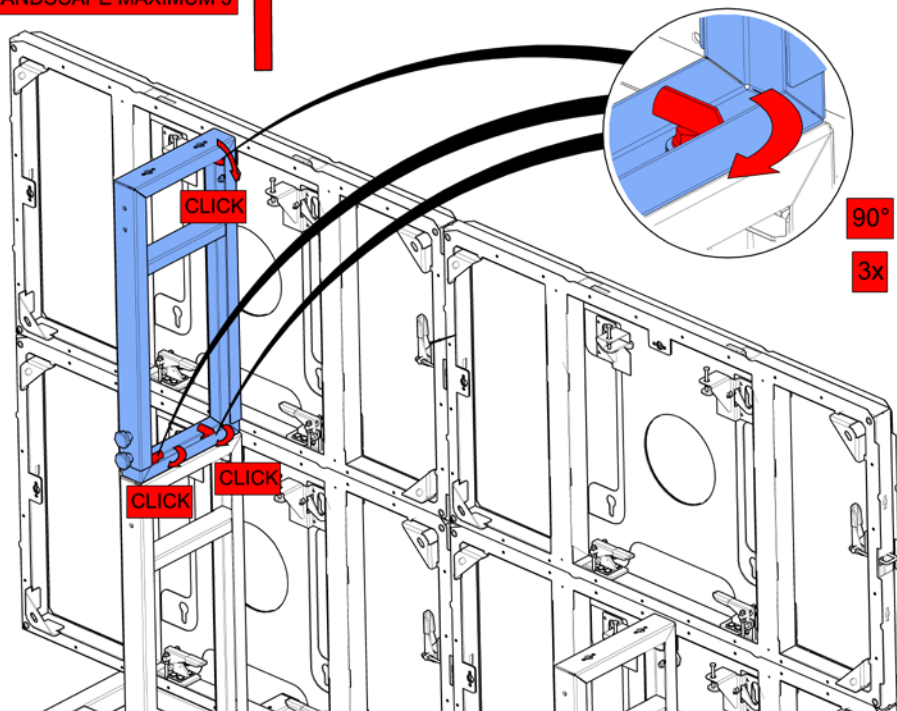


MOUNTING INSTRUCTIONS

FLOOR ARRANGEMENT

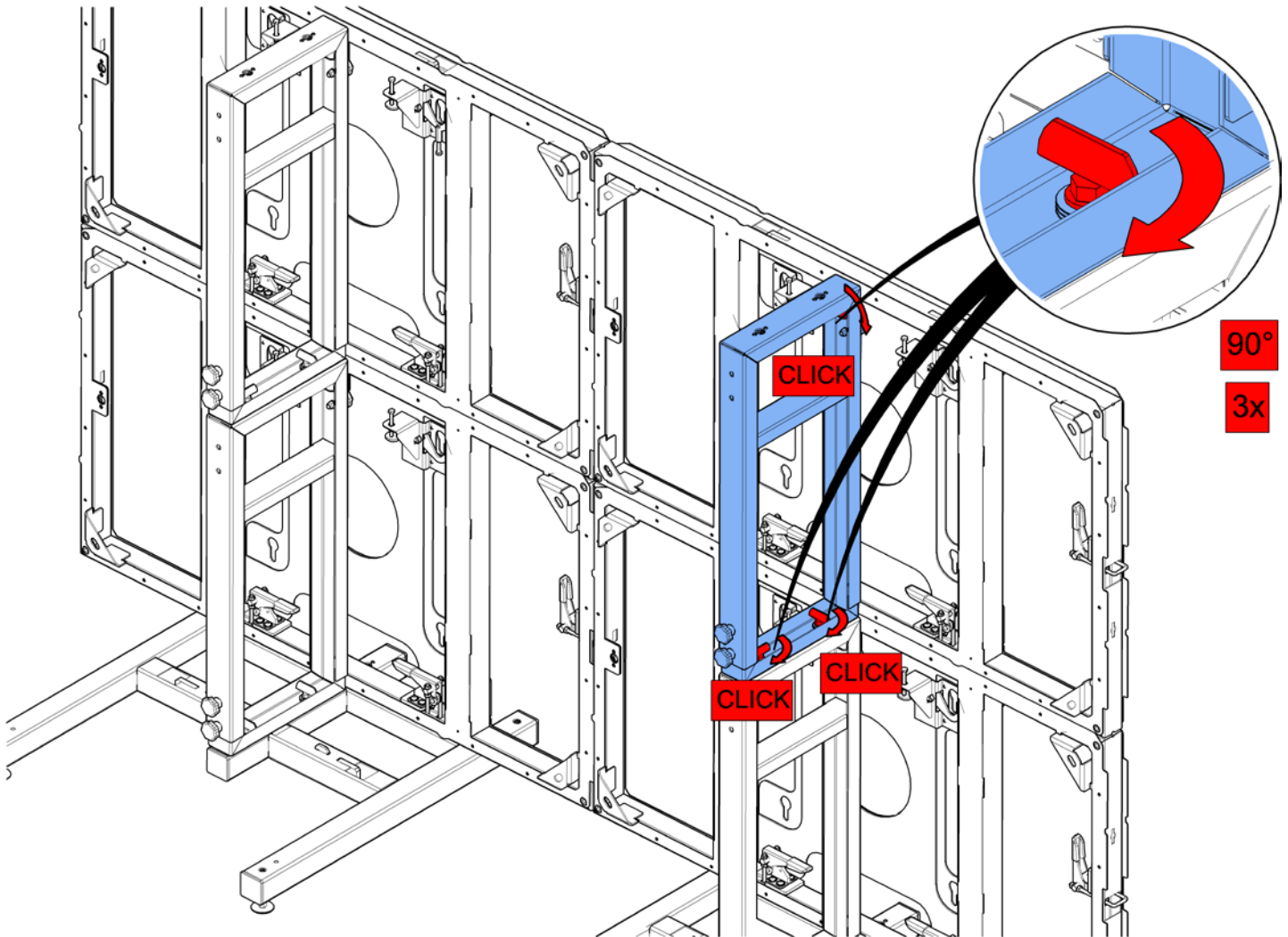


↑
PORTRAIT MAXIMUM 3
LANDSCAPE MAXIMUM 5



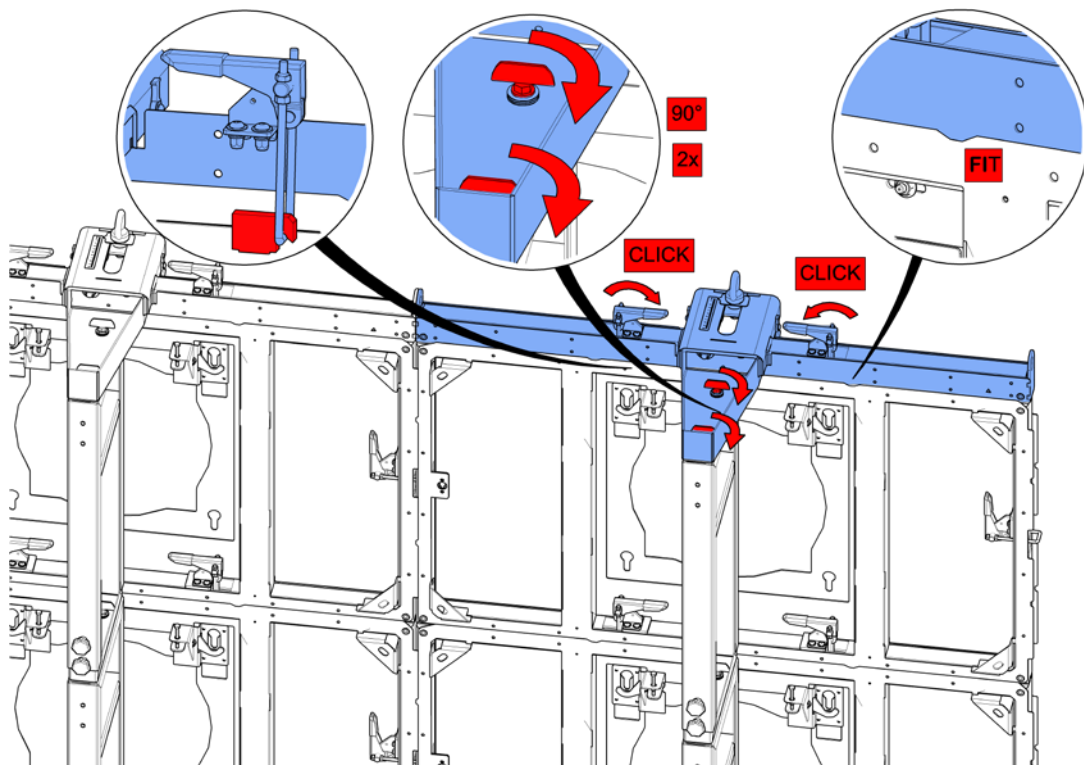
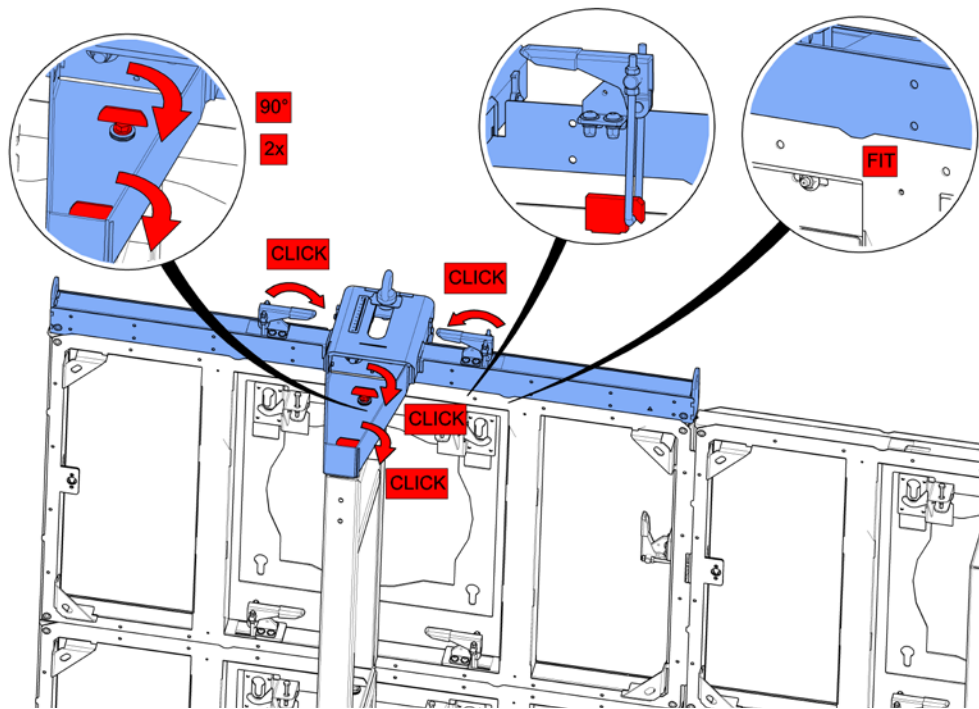
MOUNTING INSTRUCTIONS

FLOOR ARRANGEMENT



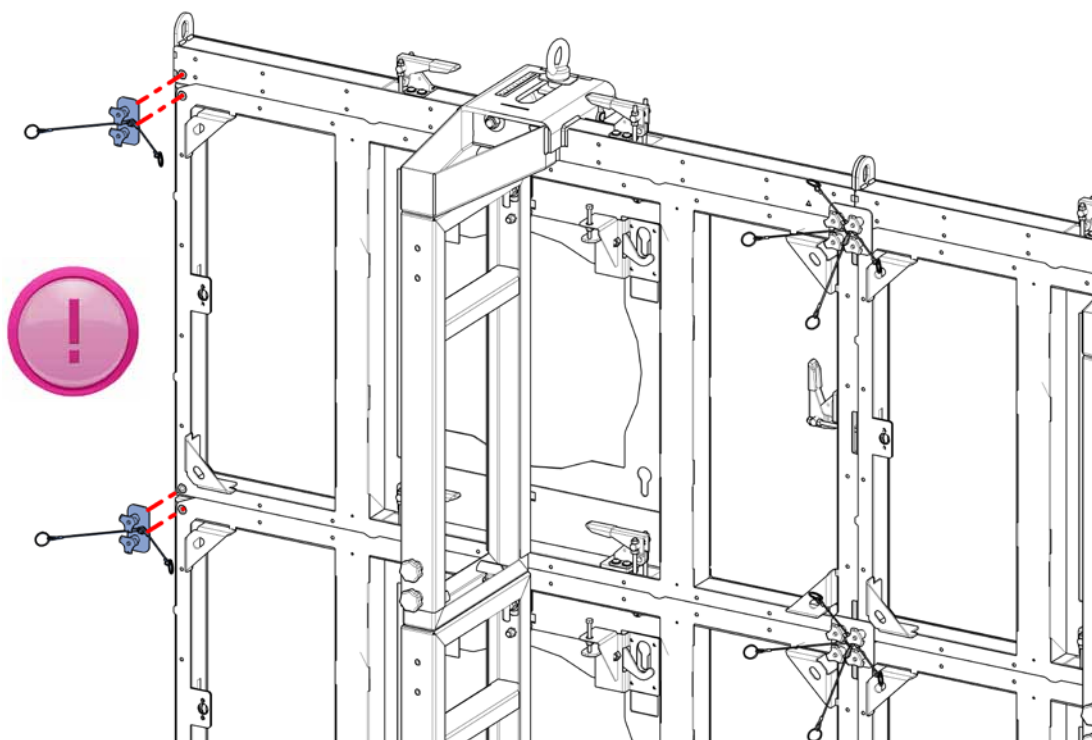
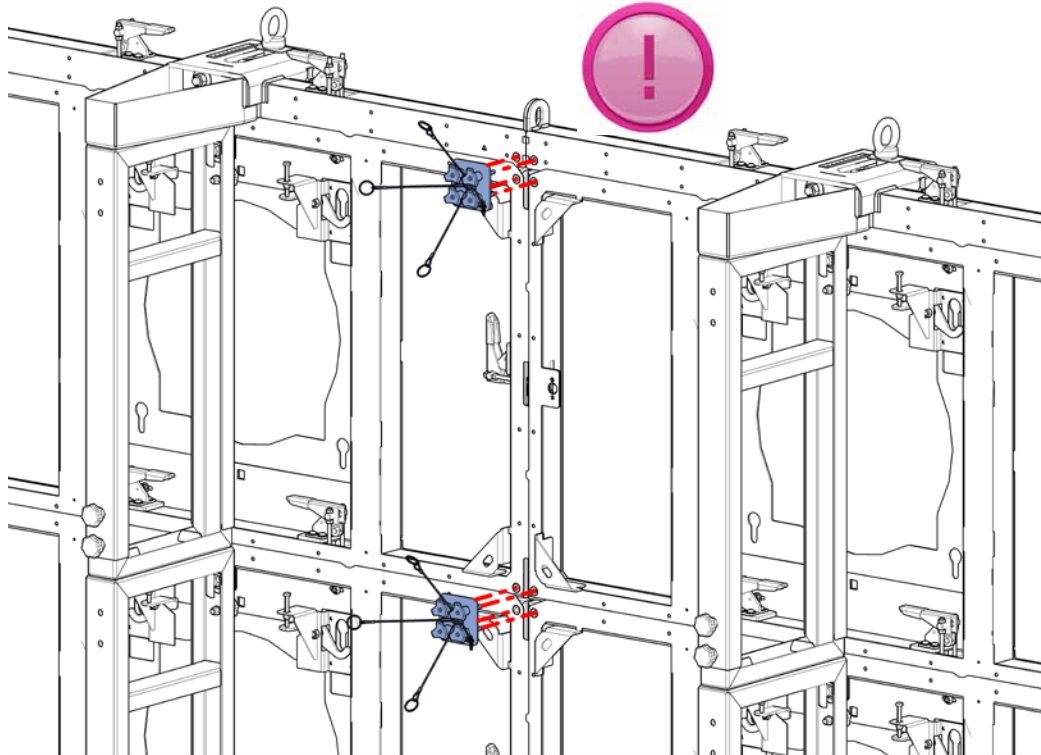
MOUNTING INSTRUCTIONS

TRUSS ARRANGEMENT (FLY)



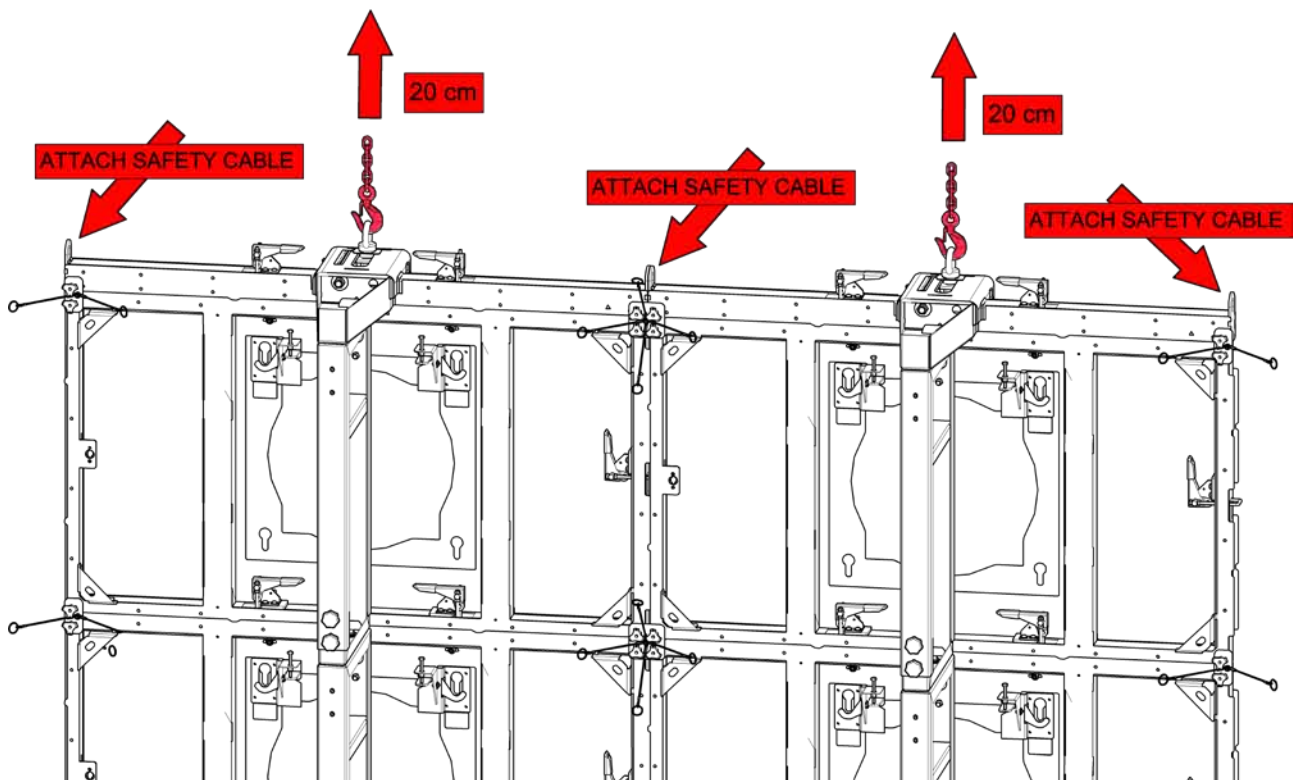
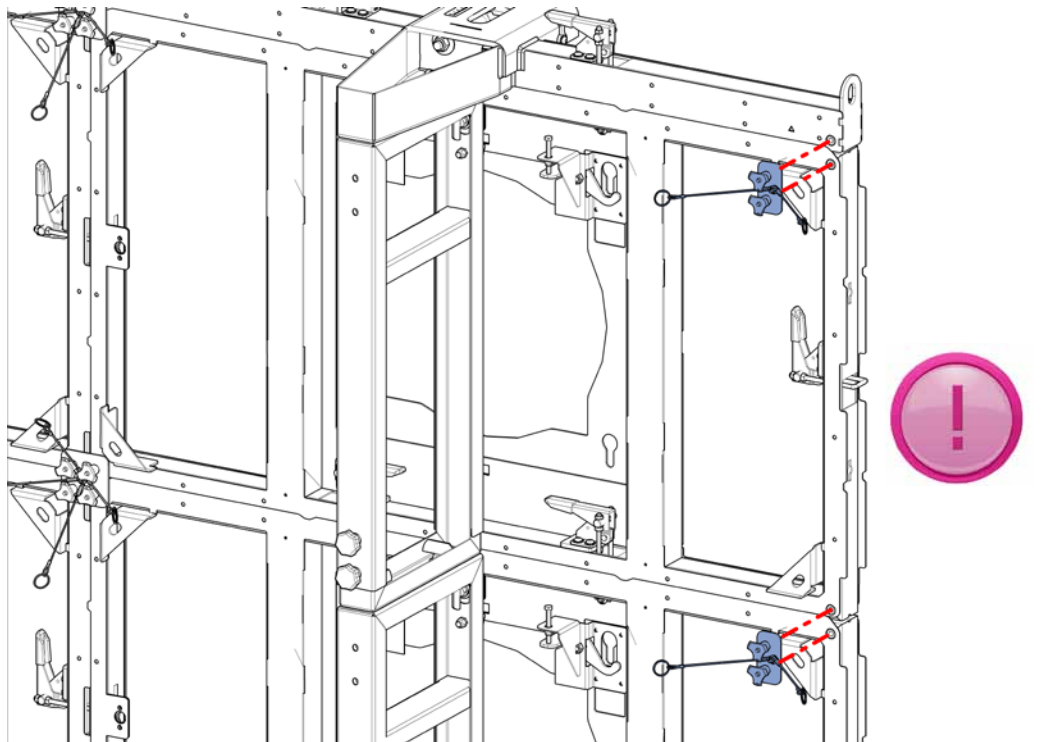
MOUNTING INSTRUCTIONS

TRUSS ARRANGEMENT (FLY)



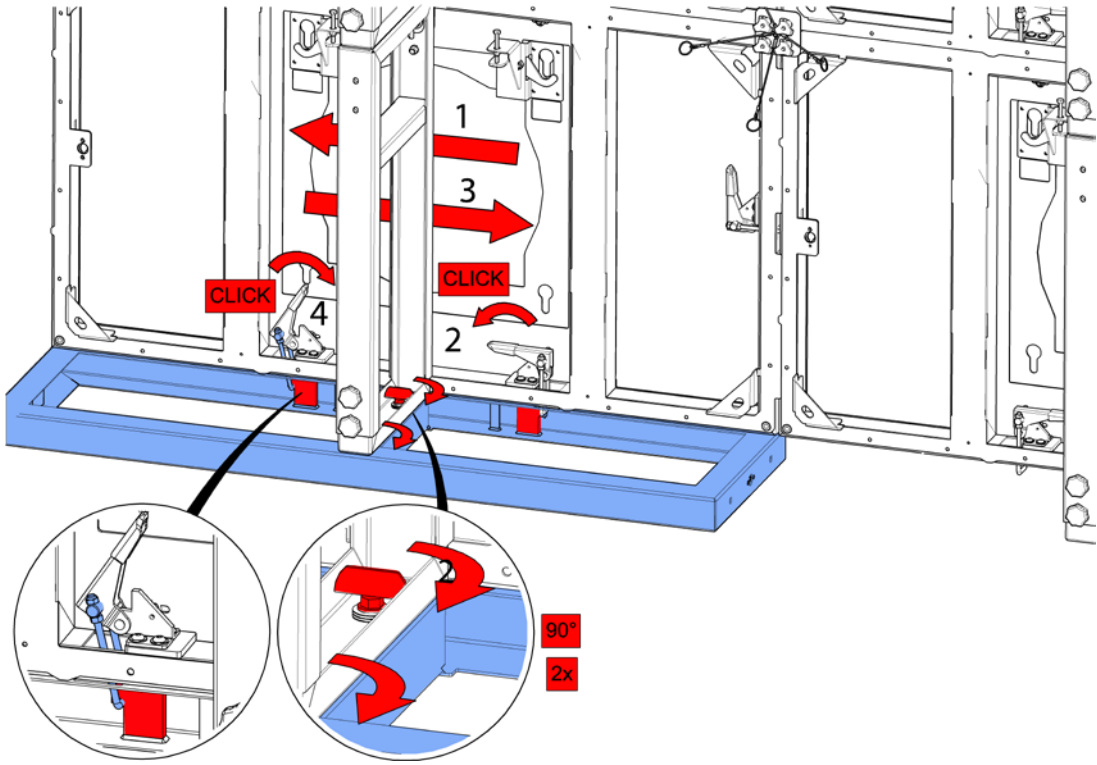
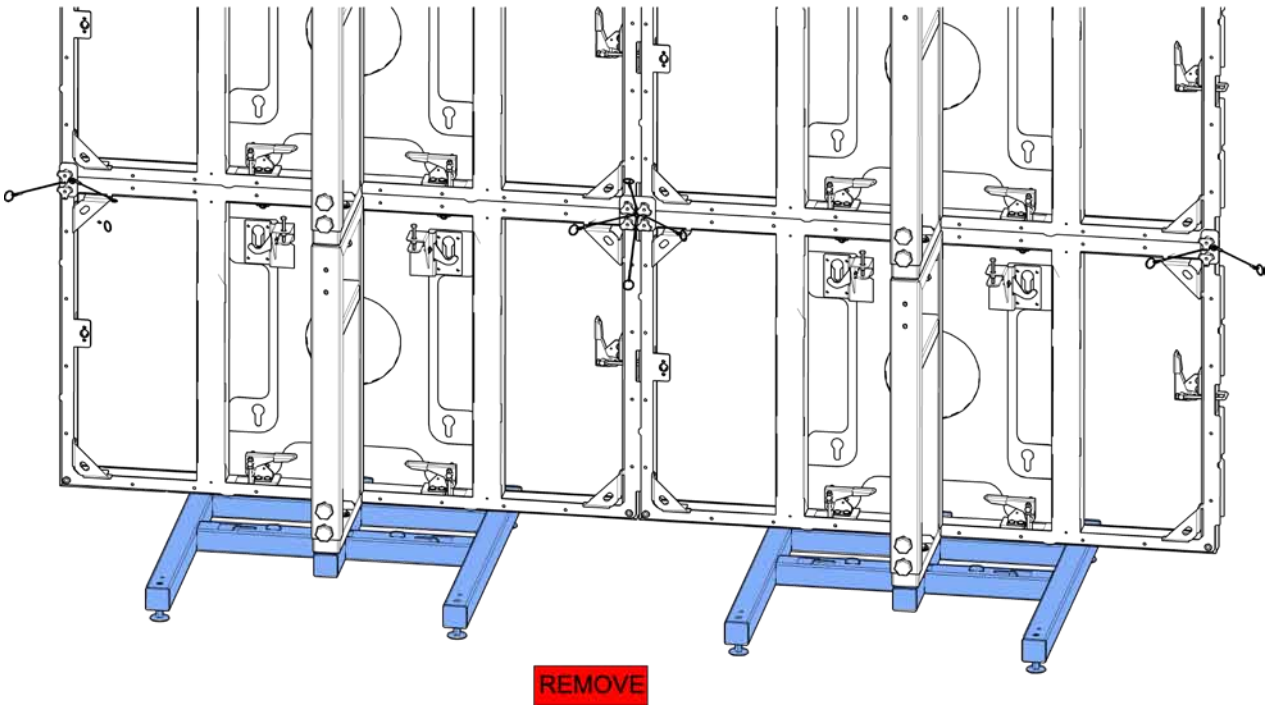
MOUNTING INSTRUCTIONS

TRUSS ARRANGEMENT (FLY)



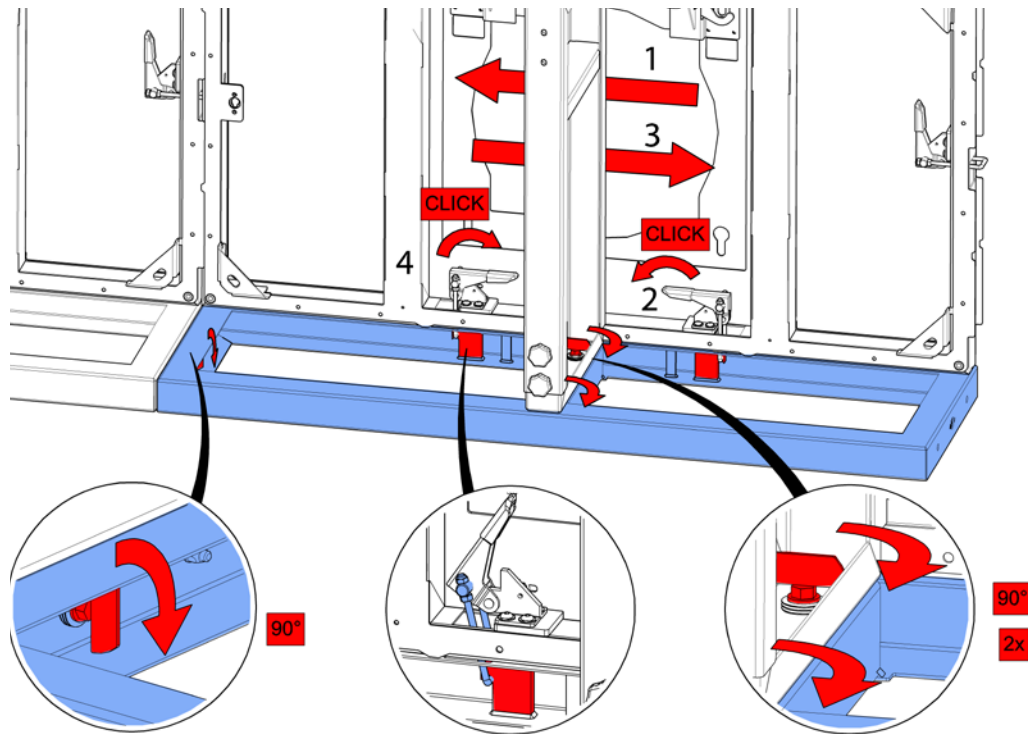
MOUNTING INSTRUCTIONS

TRUSS ARRANGEMENT (FLY)

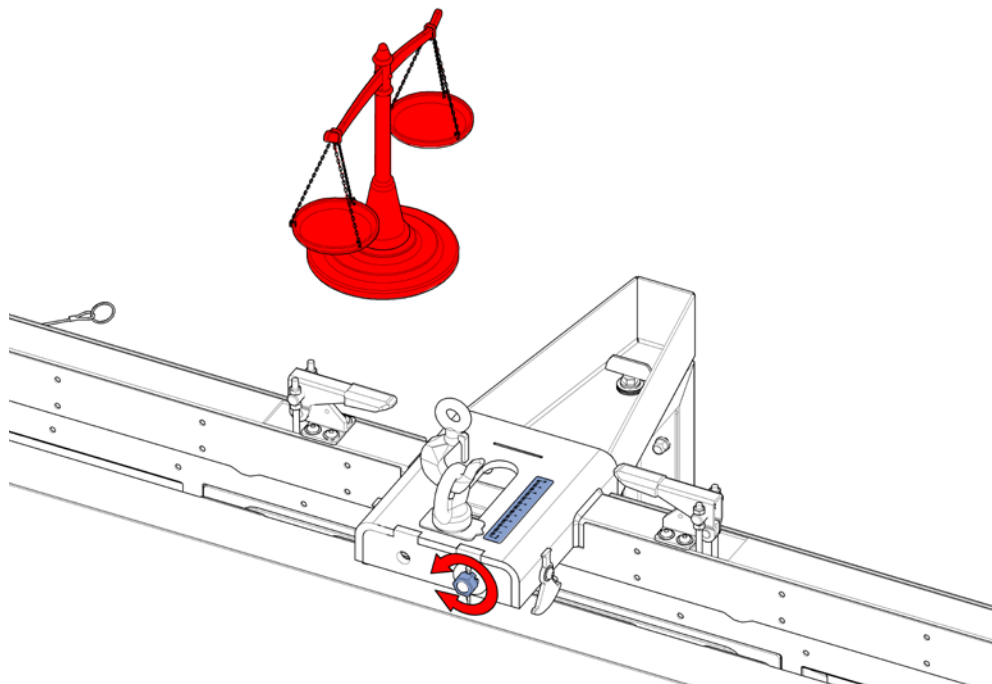


MOUNTING INSTRUCTIONS

TRUSS ARRANGEMENT (FLY)

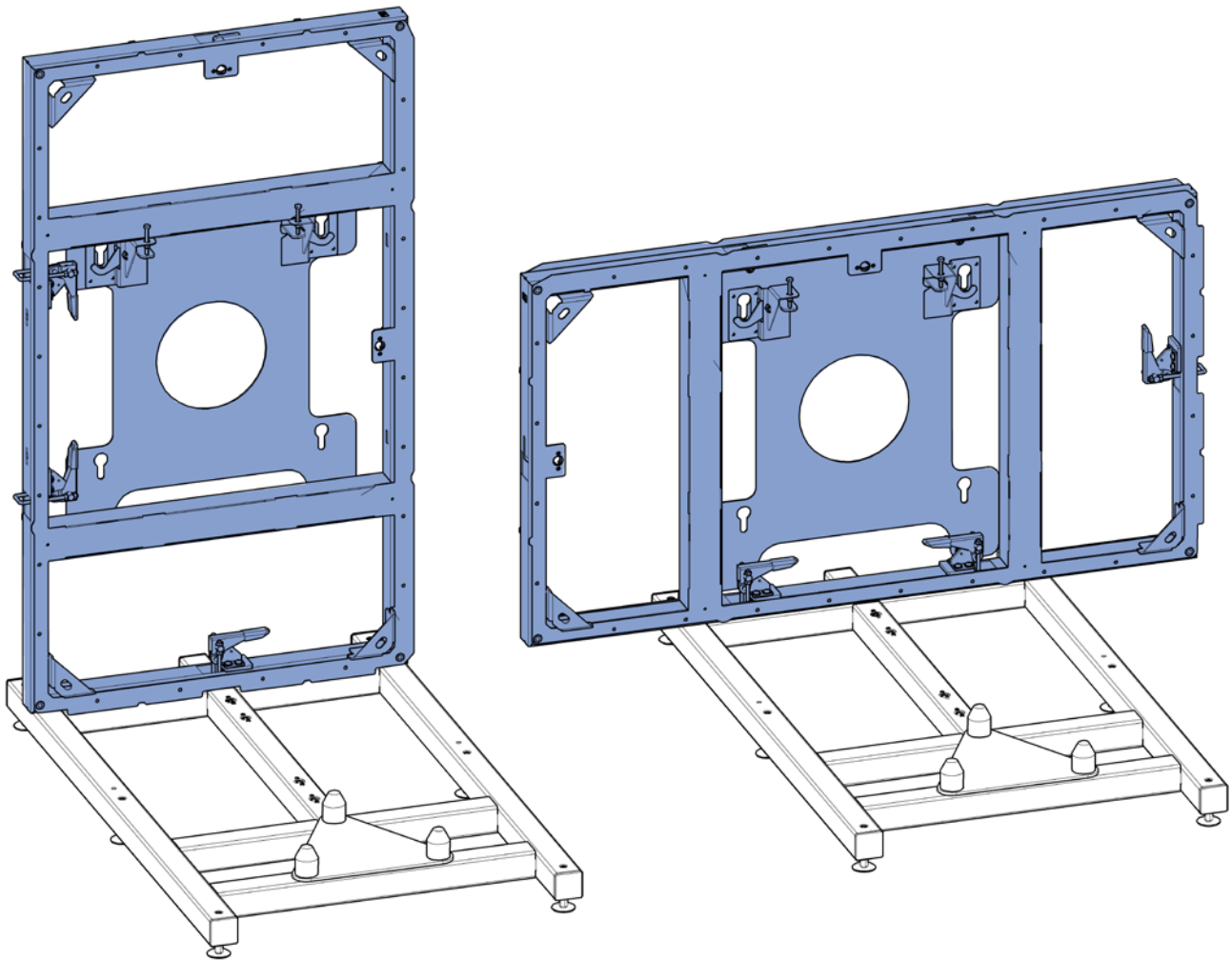


Mount LCD's. See LCD SCREEN ASSEMBLY on page 27



MOUNTING INSTRUCTIONS

TRUSS ARRANGEMENT (FLOOR)

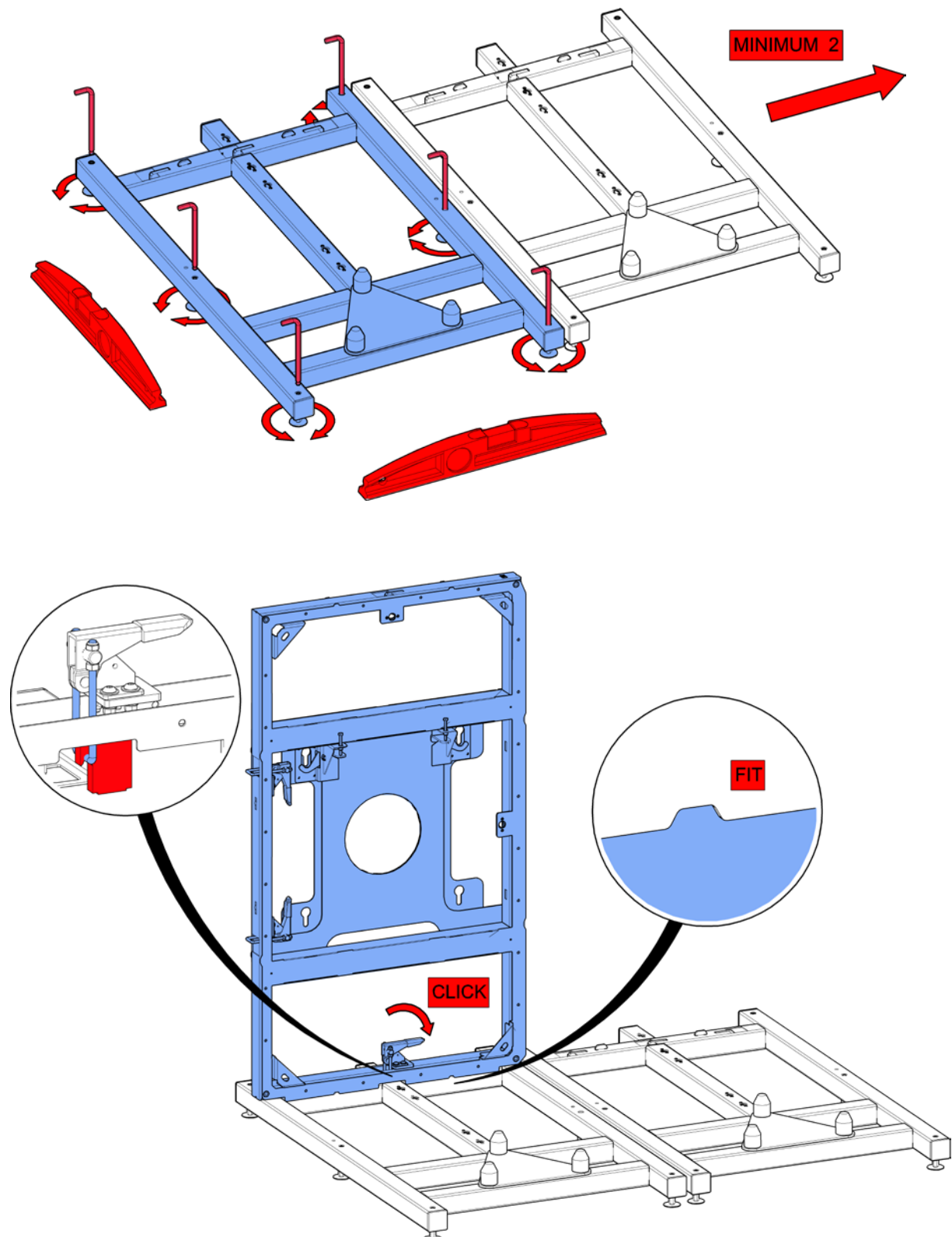


Options

Portrait
Landscape

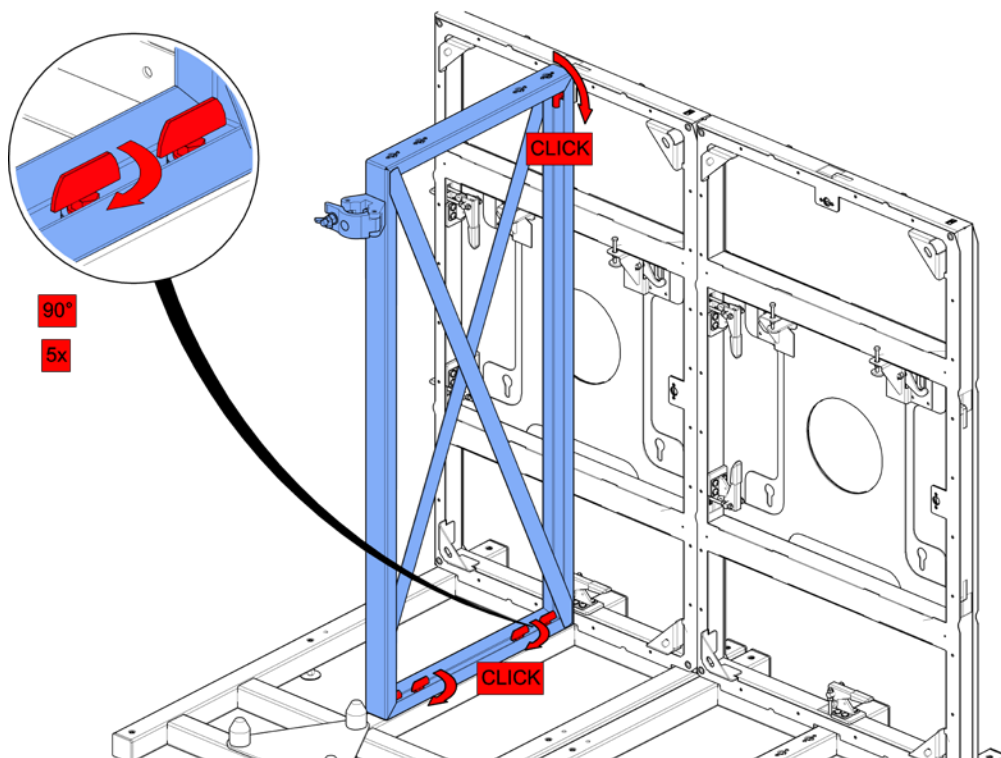
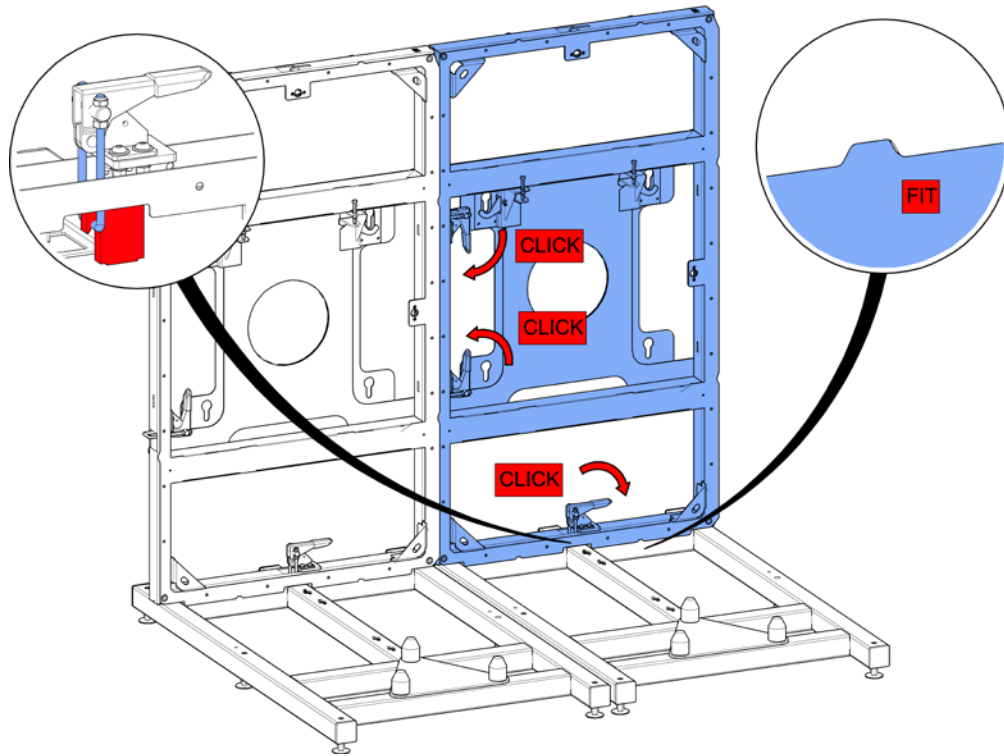
MOUNTING INSTRUCTIONS

TRUSS ARRANGEMENT (FLOOR)



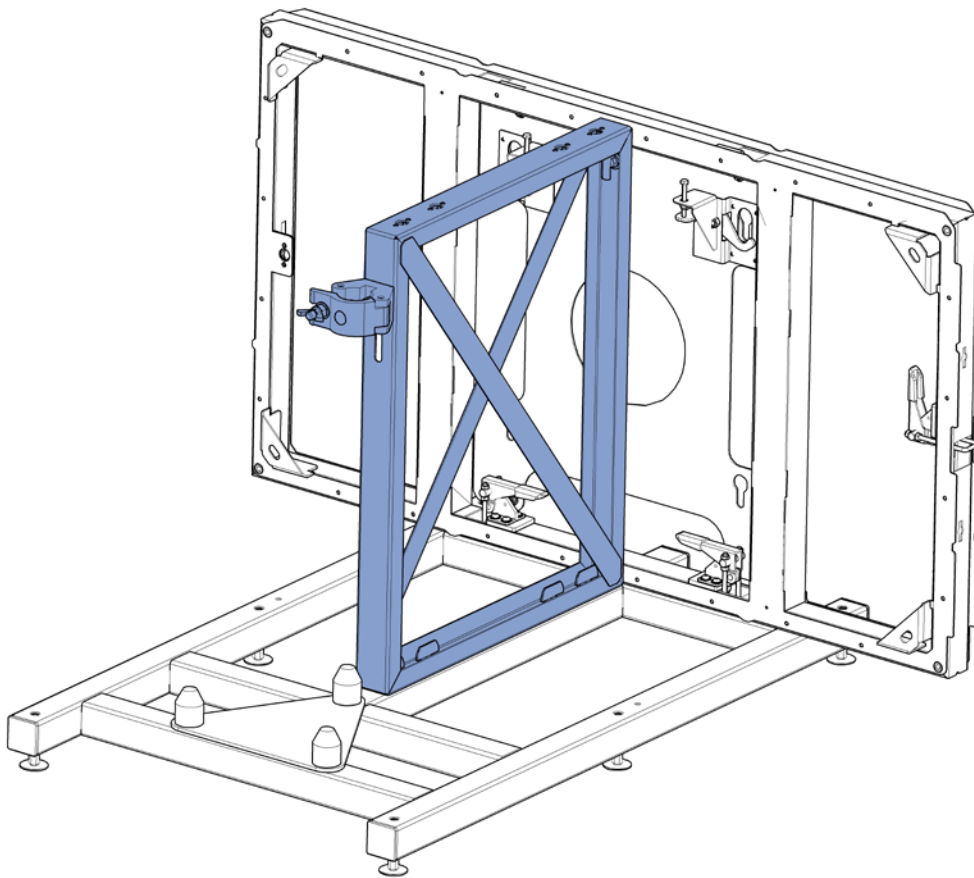
MOUNTING INSTRUCTIONS

TRUSS ARRANGEMENT (FLOOR)



MOUNTING INSTRUCTIONS

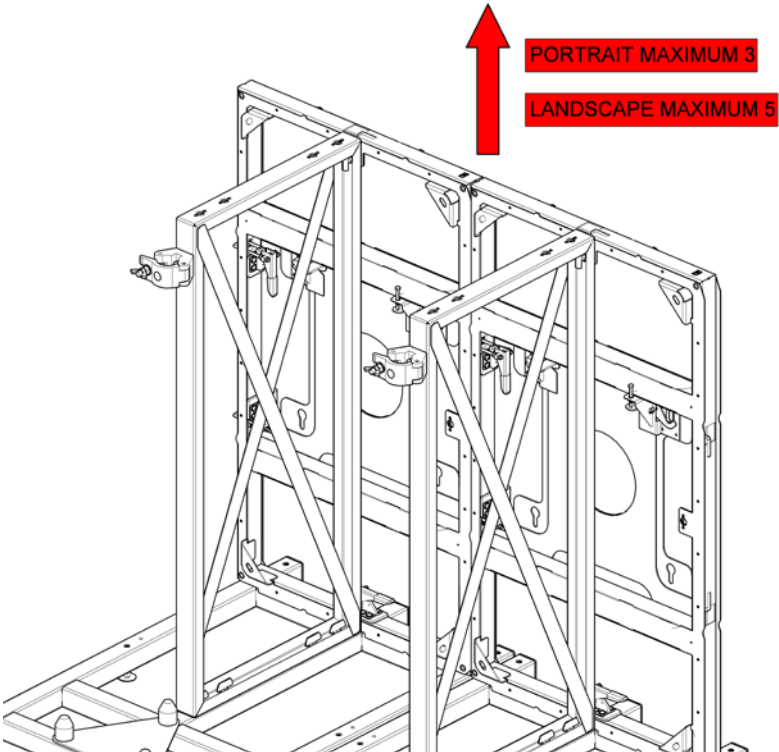
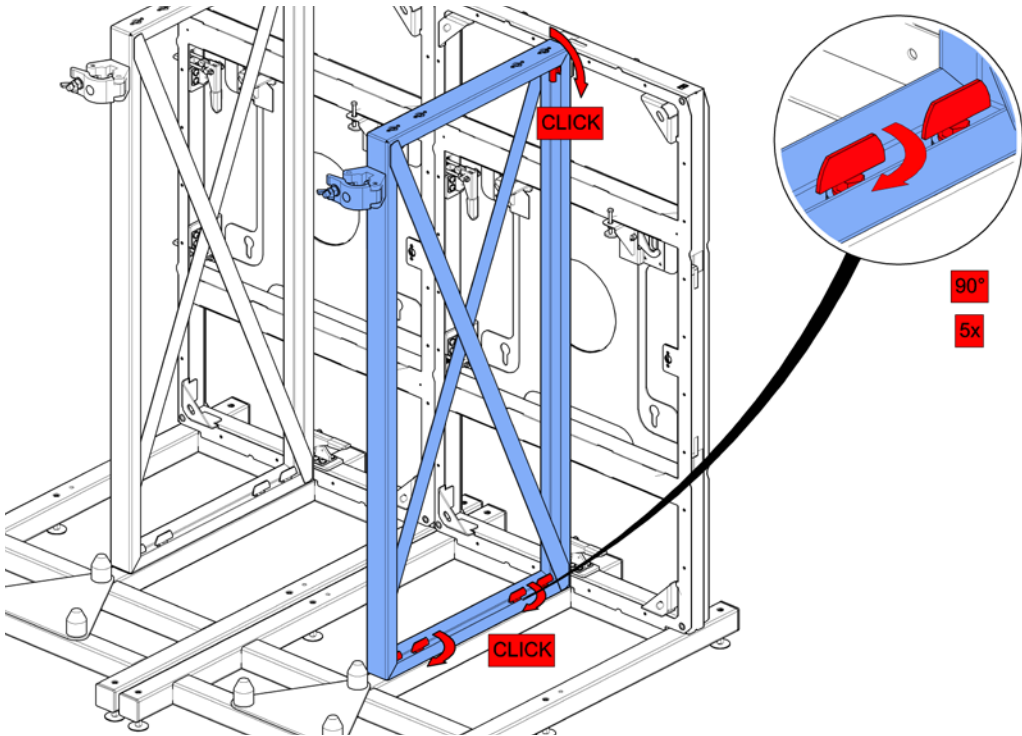
TRUSS ARRANGEMENT (FLOOR)



Coupling frame for landscape option

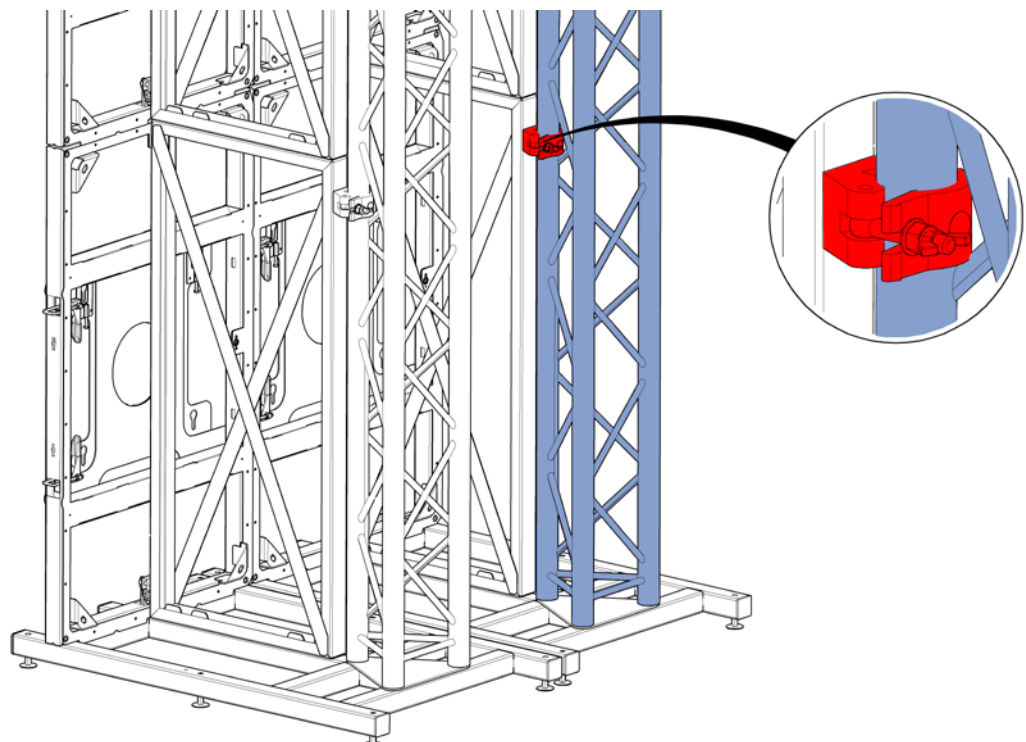
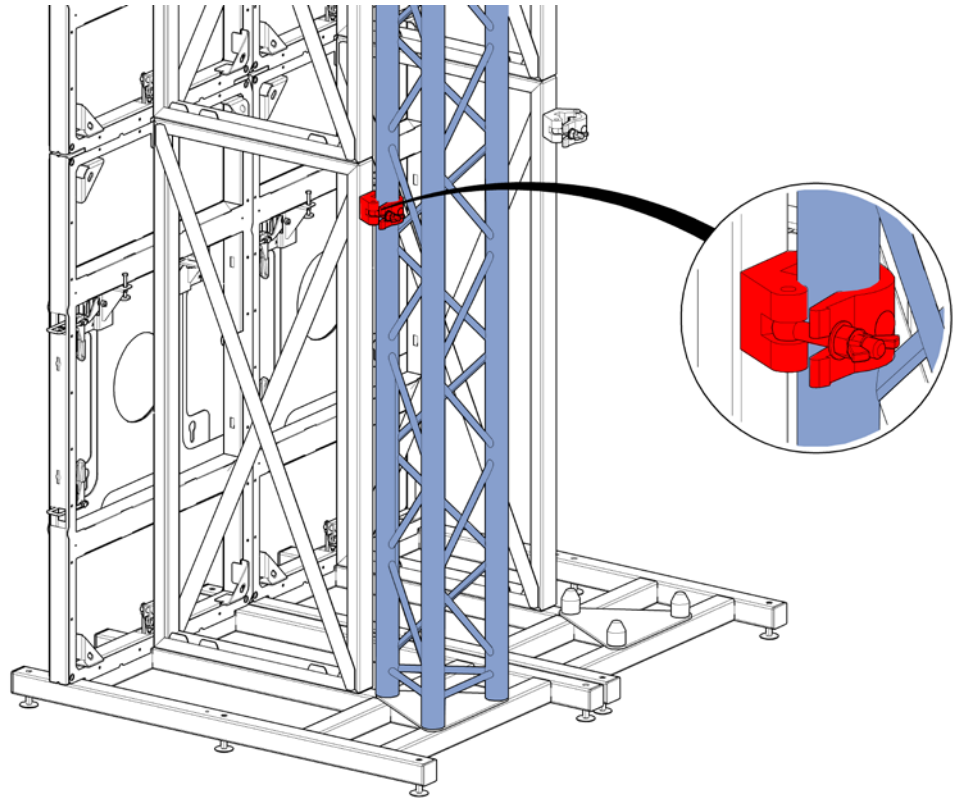
MOUNTING INSTRUCTIONS

TRUSS ARRANGEMENT (FLOOR)



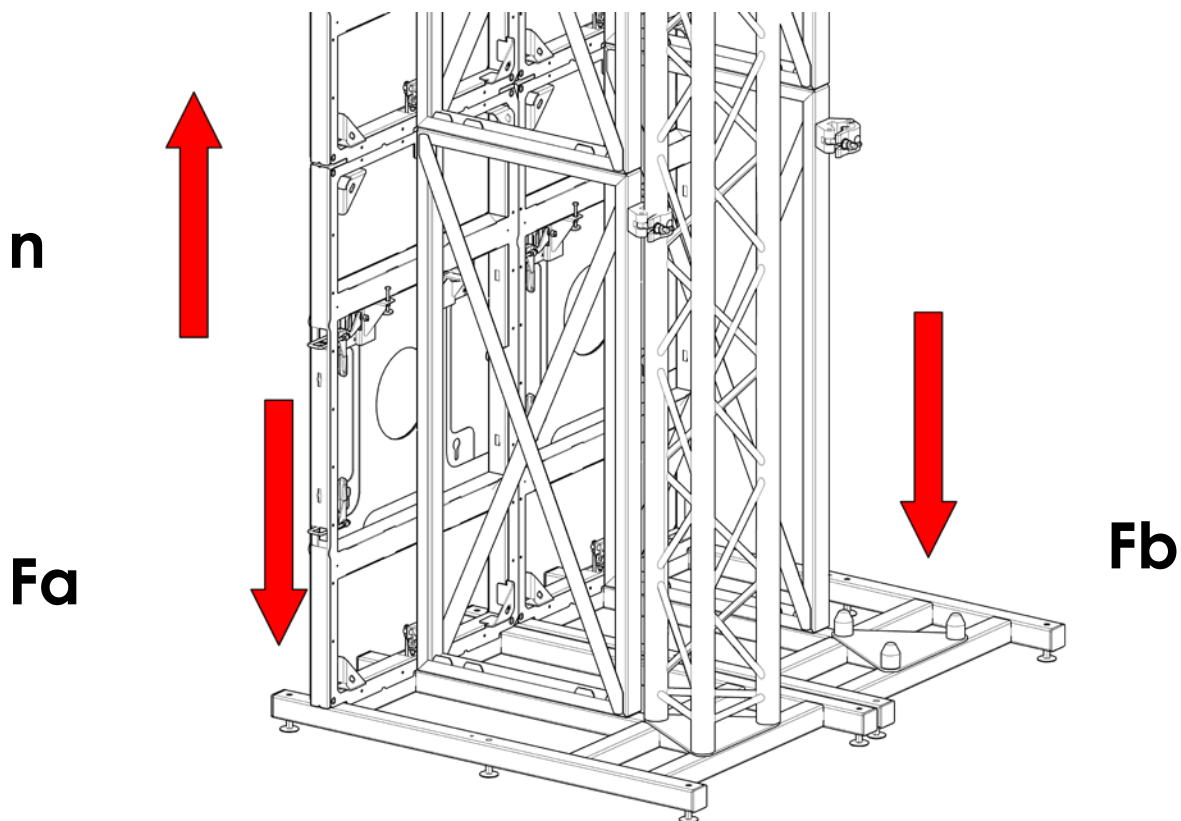
MOUNTING INSTRUCTIONS

TRUSS ARRANGEMENT (FLOOR)



MOUNTING INSTRUCTIONS

TÜV REGULATION



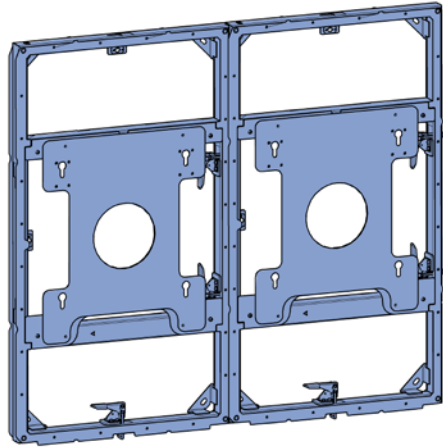
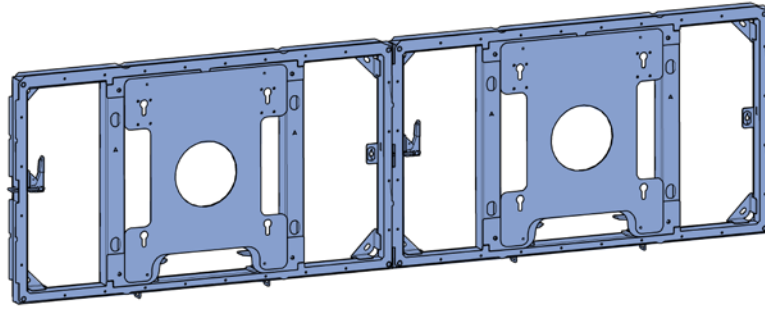
* Number of screens in height

** Ballast weight needed for Truss arrangement (floor) in kg for each foot

Landscape			Portrait		
n*	Fa**	Fb**	n*	Fa**	Fb**
1			1		
2			2		
3			3		
4					
5					

MOUNTING INSTRUCTIONS

WALL ARRANGEMENT

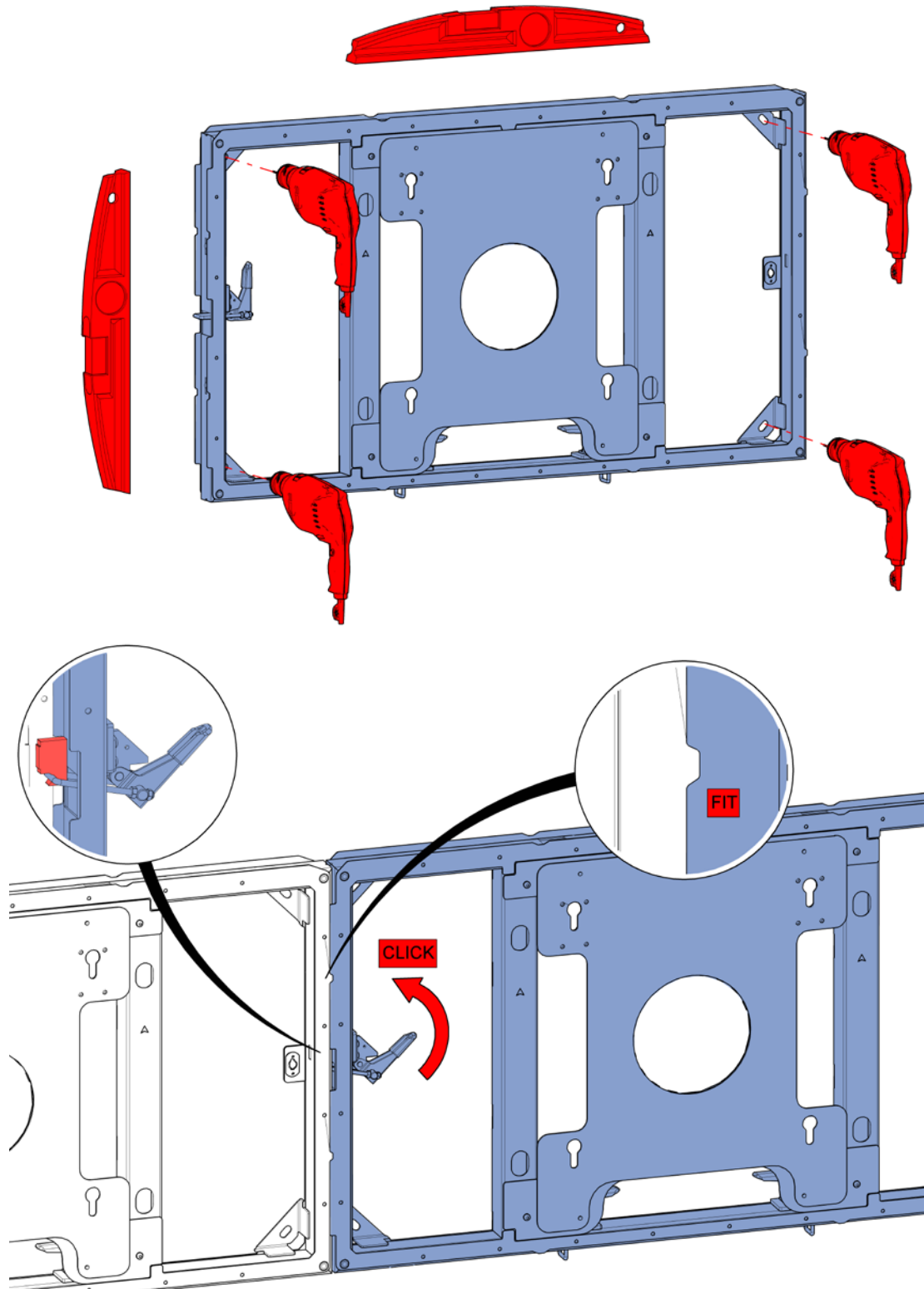


Options

Landscape
Portrait

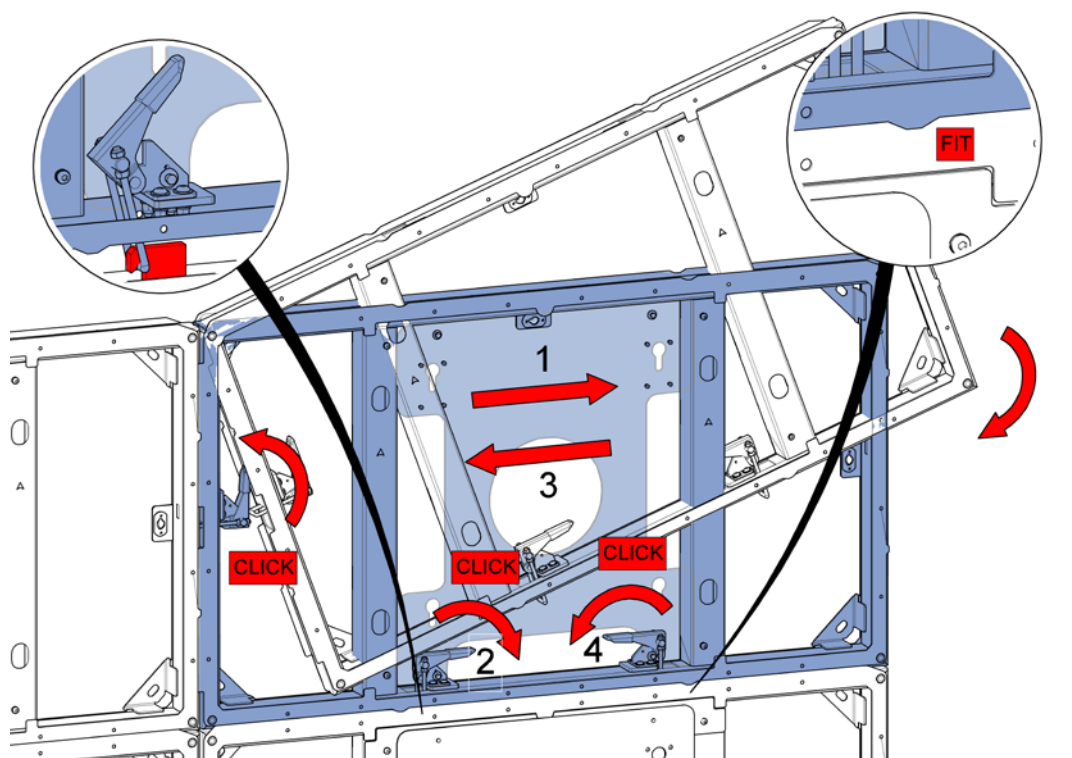
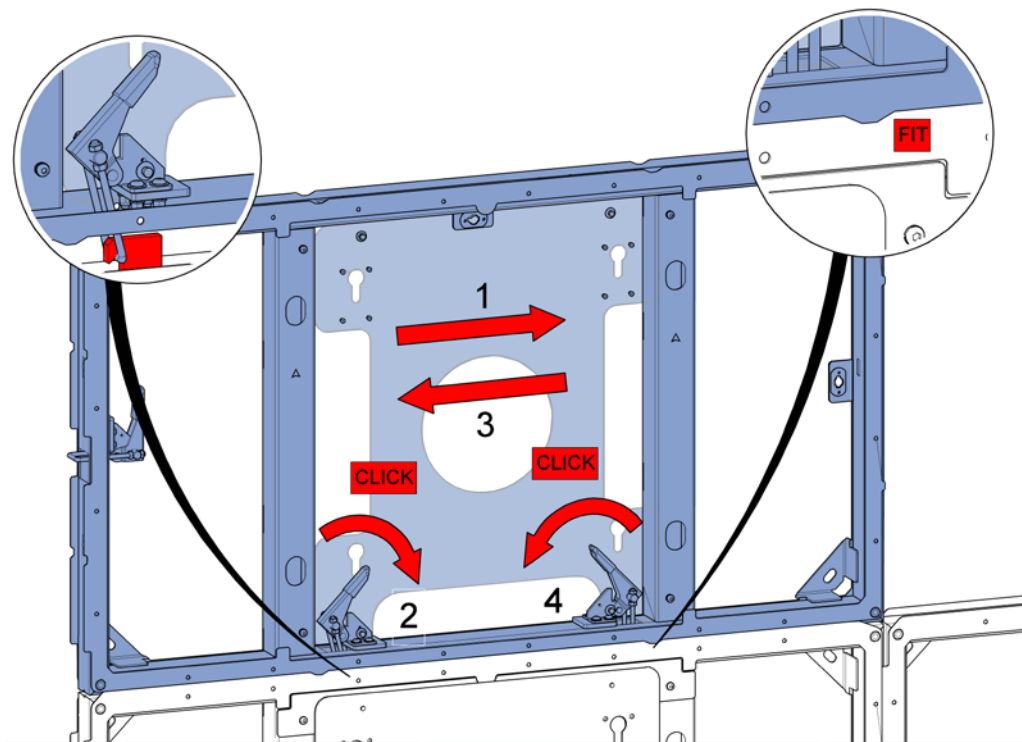
MOUNTING INSTRUCTIONS

WALL ARRANGEMENT



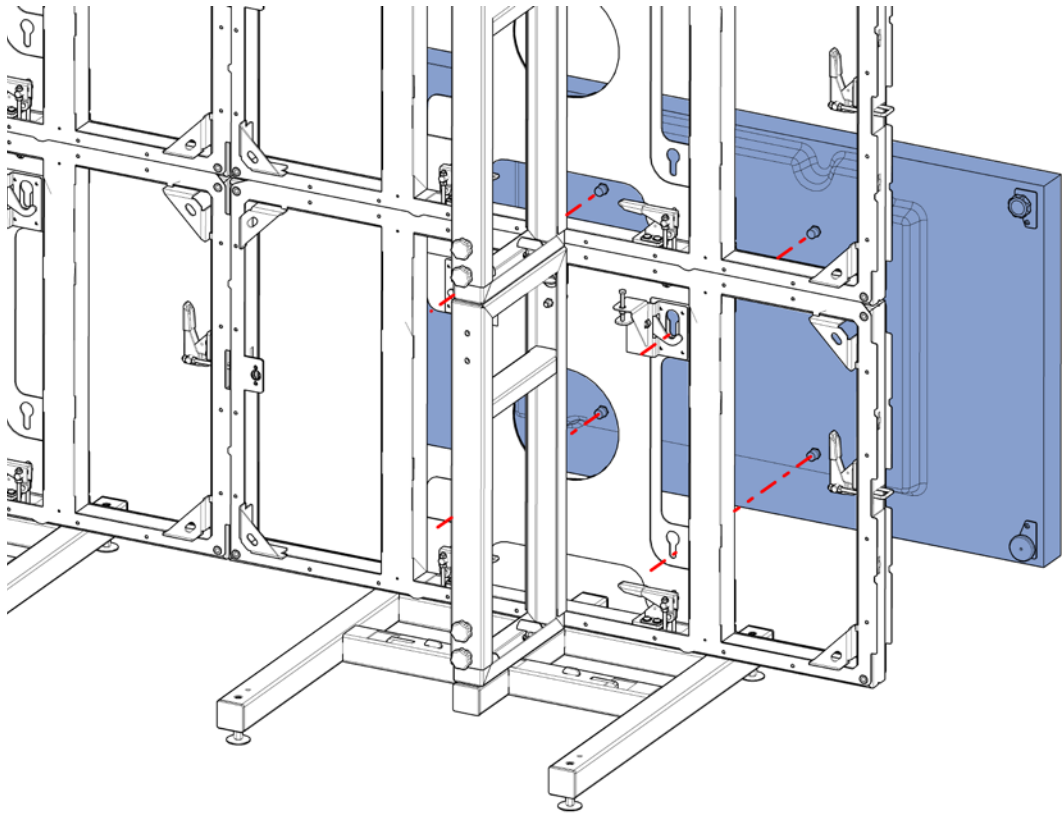
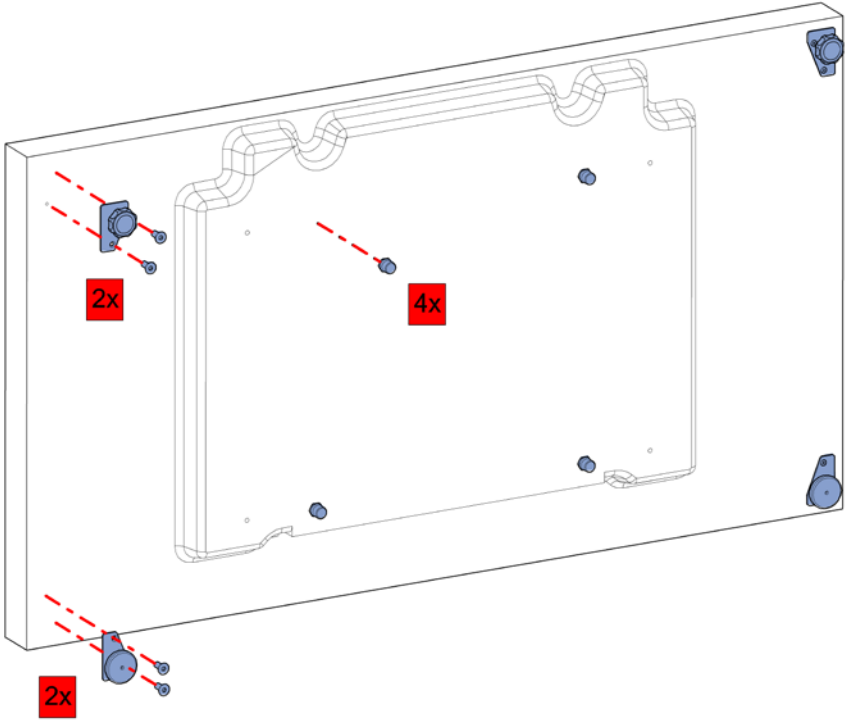
MOUNTING INSTRUCTIONS

WALL ARRANGEMENT



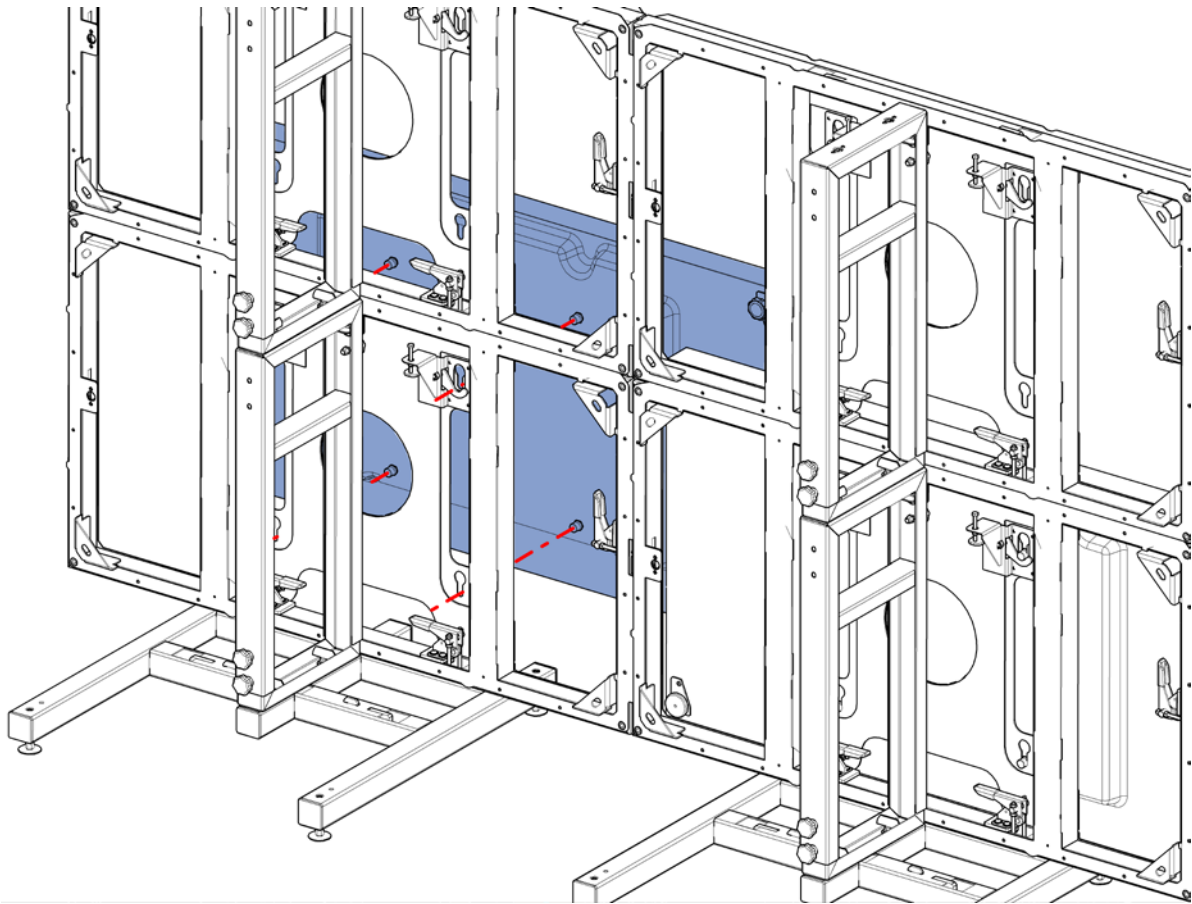
MOUNTING INSTRUCTIONS

LCD SCREEN ASSEMBLY



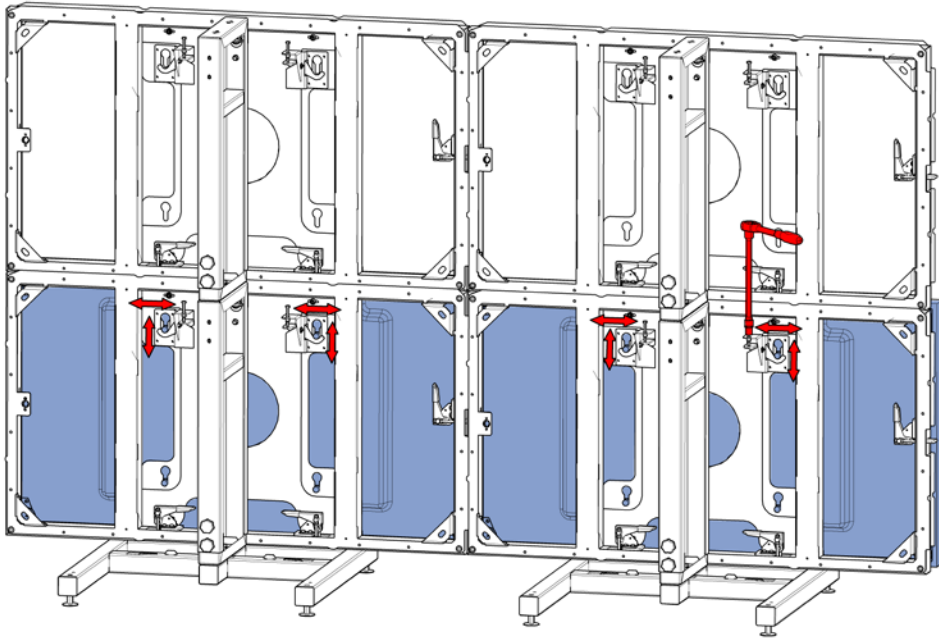
MOUNTING INSTRUCTIONS

LCD SCREEN ASSEMBLY

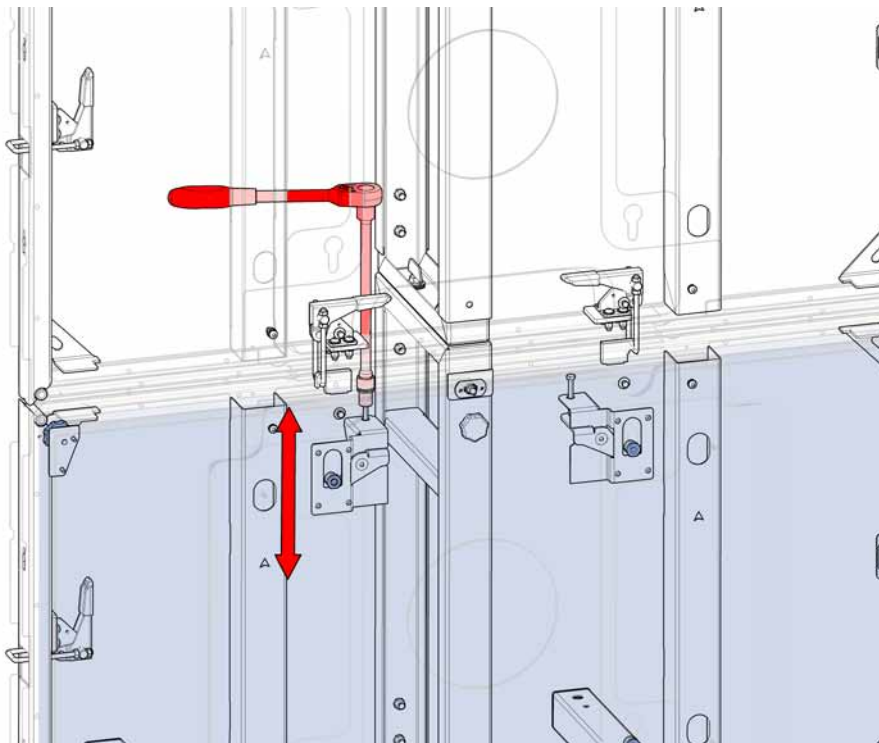


MOUNTING INSTRUCTIONS

LCD SCREEN ASSEMBLY



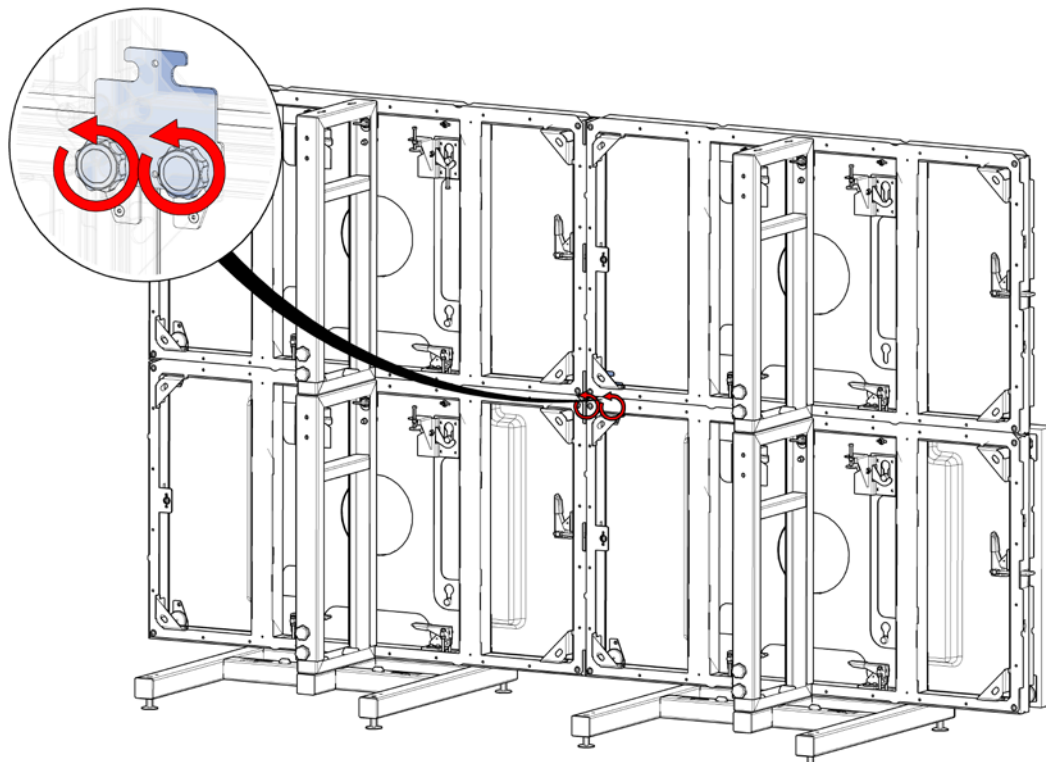
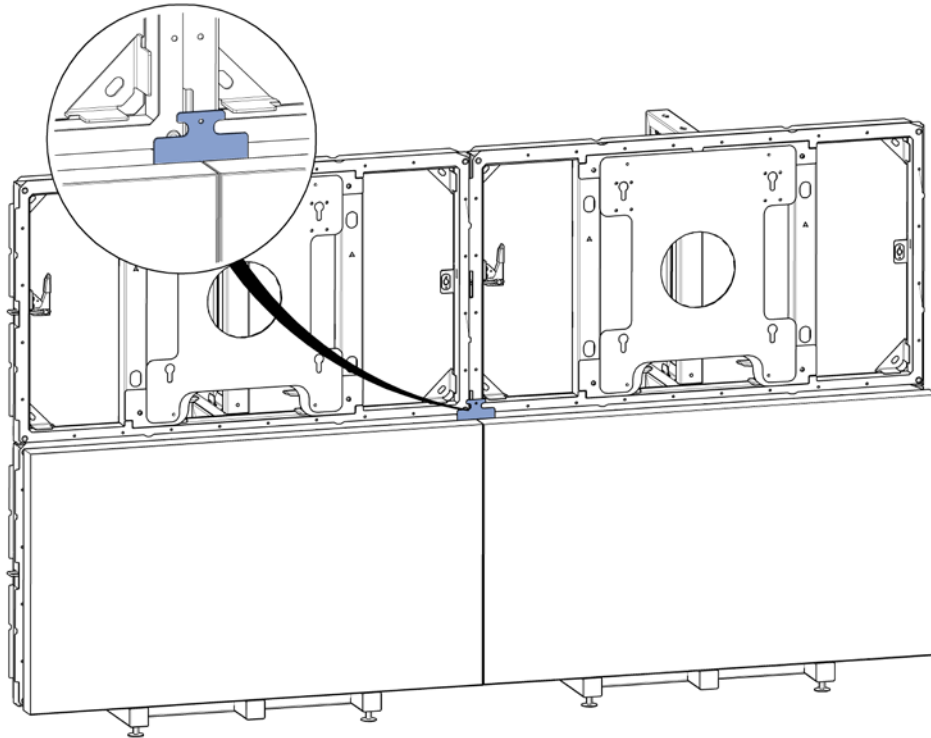
Height adjustment via back side



Height adjustment via front side

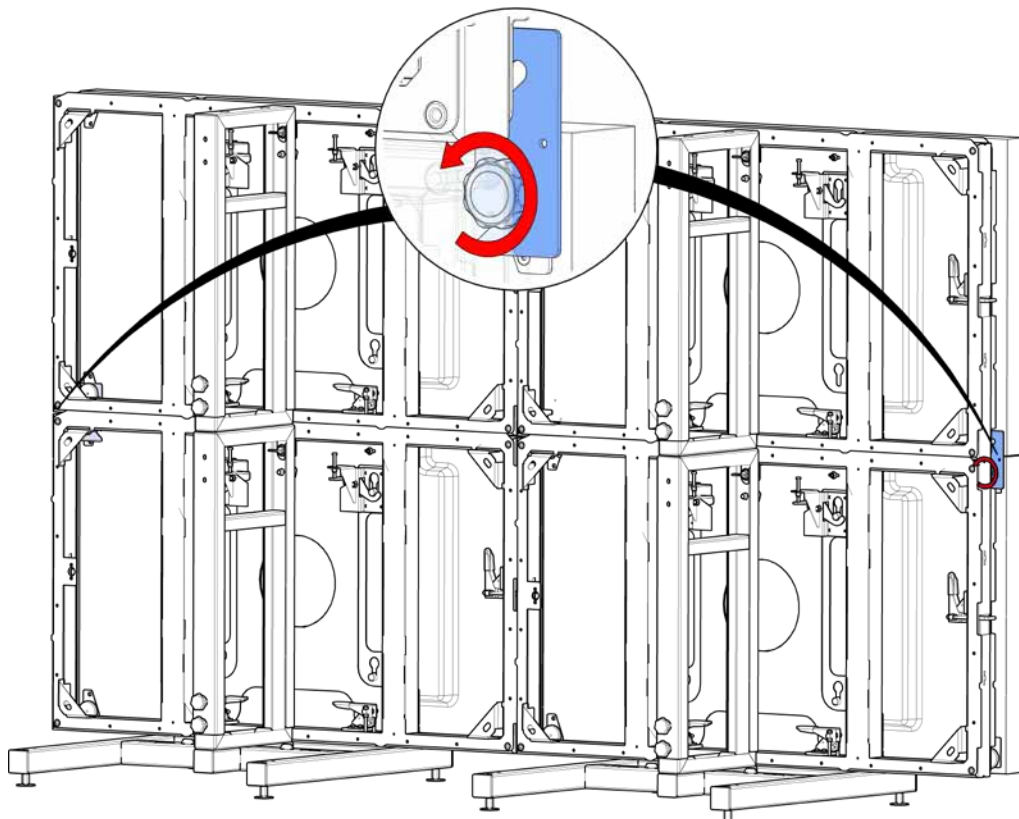
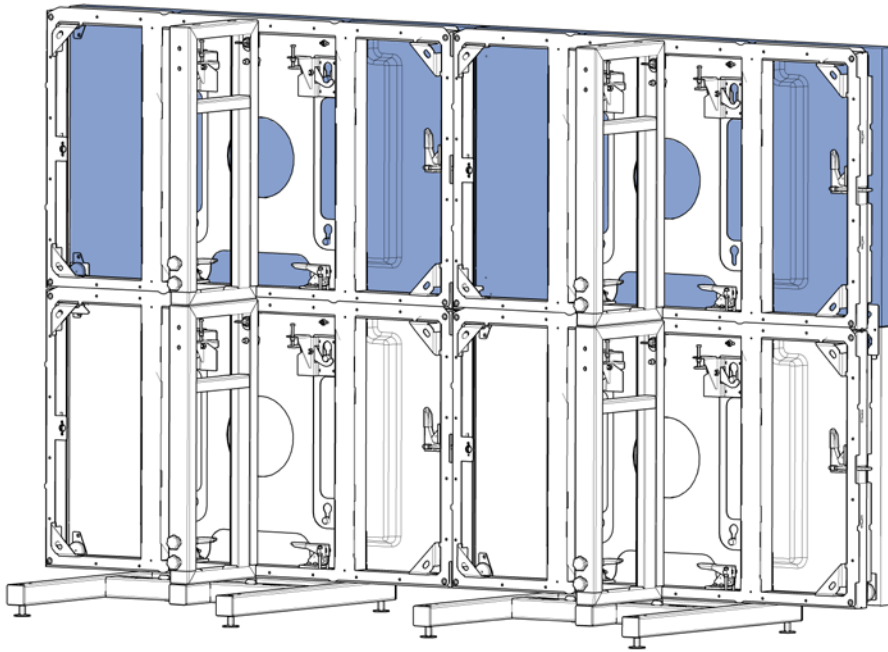
MOUNTING INSTRUCTIONS

LCD SCREEN ASSEMBLY



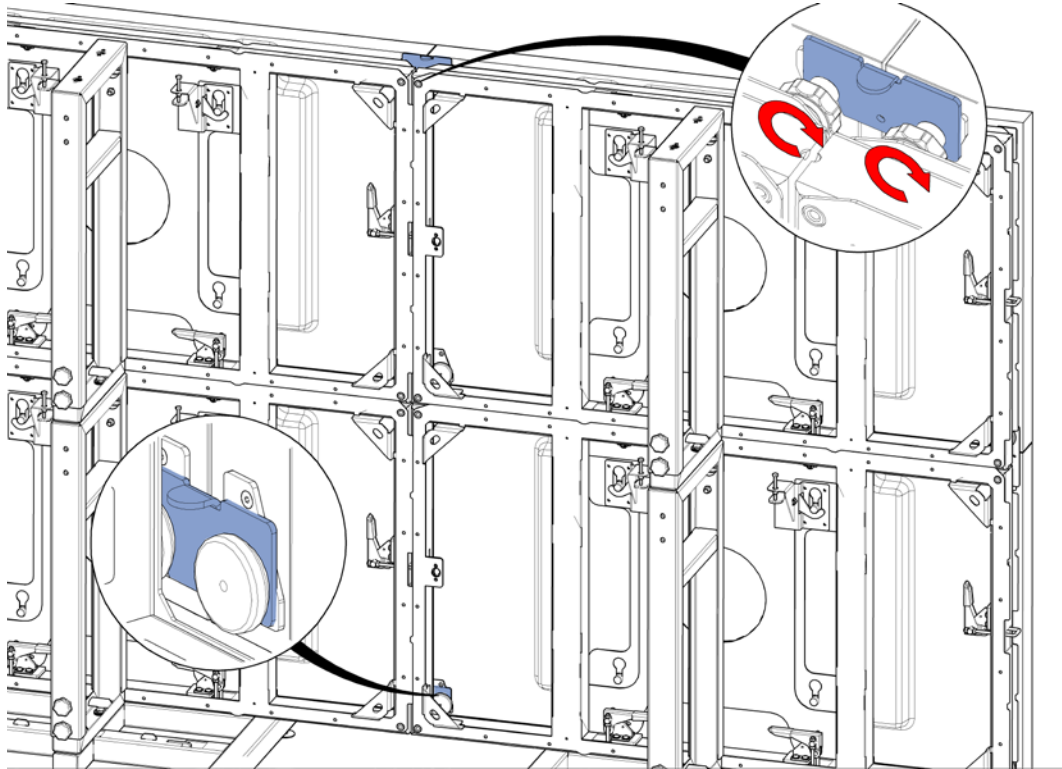
MOUNTING INSTRUCTIONS

LCD SCREEN ASSEMBLY



MOUNTING INSTRUCTIONS

LCD SCREEN ASSEMBLY



CONTACT

SMARTSELECTOR

Find your solution fast and easy with the mobile SmartSelector. Scan the QR code and find your solutions within 3 steps with the mobile SmartSelector

TRY NOW!

SmartMetals Mounting Solutions B.V.
Handelsweg 4
4231 EZ Meerkerk
The Netherlands
P +31 (0)183352942
F +31 (0)183352909

E info@SmartMetals.eu
W www.SmartMetals.eu

