

# Professional Video Monitor

## Operating Instructions

Before operating the unit, please read this manual thoroughly and retain it for future reference.

PVM-740

**HDMI™**  
HIGH-DEFINITION MULTIMEDIA INTERFACE


## Owner's Record

The model and serial numbers are located at the rear. Record these numbers in the spaces provided below. Refer to these numbers whenever you call upon your Sony dealer regarding this product.

Model No. \_\_\_\_\_

Serial No. \_\_\_\_\_

### Important Safety Instructions

- Read these instructions.
- Keep these instructions.
- Heed all warnings.
- Follow all instructions.
- Do not use this apparatus near water.
- Clean only with dry cloth.
- Do not block any ventilation openings. Install in accordance with the manufacturer's instructions.
- Do not install near any heat sources such as radiators, heat registers, stoves, or other apparatus (including amplifiers) that produce heat.
- Do not defeat the safety purpose of the polarized or grounding-type plug. A polarized plug has two blades with one wider than the other. A grounding-type plug has two blades and a third grounding prong. The wide blade or the third prong are provided for your safety. If the provided plug does not fit into your outlet, consult an electrician for replacement of the obsolete outlet.
- Protect the power cord from being walked on or pinched particularly at plugs, convenience receptacles, and the point where they exit from the apparatus.
- Only use attachments/accessories specified by the manufacturer.
- Use only with the cart, stand, tripod, bracket, or table specified by the manufacturer, or sold with the apparatus.  When a cart is used, use caution when moving the cart/apparatus combination to avoid injury from tip-over.
- Unplug this apparatus during lightning storms or when unused for long periods of time.
- Refer all servicing to qualified service personnel. Servicing is required when the apparatus has been damaged in any way, such as power-supply cord or plug is damaged, liquid has been spilled or objects have fallen into the apparatus, the apparatus has been exposed to rain or moisture, does not operate normally, or has been dropped.

## WARNING

To reduce the risk of fire or electric shock, do not expose this apparatus to rain or moisture.

To avoid electrical shock, do not open the cabinet. Refer servicing to qualified personnel only.

**WARNING**  
**THIS APPARATUS MUST BE EARTHED.**

### WARNING

When installing the unit, incorporate a readily accessible disconnect device in the fixed wiring, or connect the power plug to an easily accessible socket-outlet near the unit. If a fault should occur during operation of the unit, operate the disconnect device to switch the power supply off, or disconnect the power plug.

### Attention-when the product is installed in Rack:

#### 1. Prevention against overloading of branch circuit

When this product is installed in a rack and is supplied power from an outlet on the rack, please make sure that the rack does not overload the supply circuit.

#### 2. Providing protective earth

When this product is installed in a rack and is supplied power from an outlet on the rack, please confirm that the outlet is provided with a suitable protective earth connection.

#### 3. Internal air ambient temperature of the rack

When this product is installed in a rack, please make sure that the internal air ambient temperature of the rack is within the specified limit of this product.

#### 4. Prevention against achieving hazardous condition due to uneven mechanical loading

When this product is installed in a rack, please make sure that the rack does not achieve hazardous condition due to uneven mechanical loading.

#### 5. Install the equipment while taking the operating temperature of the equipment into consideration

For the operating temperature of the equipment, refer to the specifications of the Operation Manual.

#### 6. When performing the installation, keep the following space away from walls in order to obtain proper exhaust and radiation of heat.

Upper : 4.4 cm (1 3/4 inches) or more  
Lower (when not using the stand) : 1.7 cm (11/16 inches) or more  
Rear : 10.0 cm (4 inches) or more

**CAUTION**

The apparatus shall not be exposed to dripping or splashing. No objects filled with liquids, such as vases, shall be placed on the apparatus.

**CAUTION**

The unit is not disconnected from the AC power source (mains) as long as it is connected to the wall outlet, even if the unit itself has been turned off.

**WARNING**

Excessive sound pressure from earphones and headphones can cause hearing loss.

In order to use this product safely, avoid prolonged listening at excessive sound pressure levels.

**For kundene i Norge**

Dette utstyret kan kobles til et IT-strømfordelingssystem.

Apparatet må tilkoples jordet stikkontakt

**Suomessa asuville asiakkaille**

Laite on liitettävä suojamaadoituskoskettimilla varustettuun pistorasiaan

**För kunderna i Sverige**

Apparaten skall anslutas till jordat uttag

**For the customers in the U.S.A.**

This equipment has been tested and found to comply with the limits for a Class A digital device, pursuant to Part 15 of the FCC Rules. These limits are designed to provide reasonable protection against harmful interference when the equipment is operated in a commercial environment. This equipment generates, uses, and can radiate radio frequency energy and, if not installed and used in accordance with the instruction manual, may cause harmful interference to radio communications. Operation of this equipment in a residential area is likely to cause harmful interference in which case the user will be required to correct the interference at his own expense.

You are cautioned that any changes or modifications not expressly approved in this manual could void your authority to operate this equipment.

All interface cables used to connect peripherals must be shielded in order to comply with the limits for a digital device pursuant to Subpart B of Part 15 of FCC Rules.

This device complies with Part 15 of the FCC Rules. Operation is subject to the following two conditions: (1) this device may not cause harmful interference, and (2) this device must accept any interference received, including interference that may cause undesired operation.

**WARNING:**

Using this unit at a voltage other than 120 V may require the use of a different line cord or attachment plug, or both. To reduce the risk of fire or electric shock, refer servicing to qualified service personnel.

**For the customers in Canada**

This Class A digital apparatus complies with Canadian ICES-003.

**For the customers in Europe**

This product with the CE marking complies with the EMC Directive issued by the Commission of the European Community.

Compliance with this directive implies conformity to the following European standards:

- EN55103-1 : Electromagnetic Interference(Emission)
- EN55103-2 : Electromagnetic Susceptibility(Immunity)

This product is intended for use in the following Electromagnetic Environments: E1 (residential), E2 (commercial and light industrial), E3 (urban outdoors), E4 (controlled EMC environment, ex. TV studio).

**For the customers in Europe**

The manufacturer of this product is Sony Corporation, 1-7-1 Konan, Minato-ku, Tokyo, Japan.

The Authorized Representative for EMC and product safety is Sony Deutschland GmbH, Hedelfinger Strasse 61, 70327 Stuttgart, Germany. For any service or guarantee matters please refer to the addresses given in separate service or guarantee documents.

---

# Table of Contents

<b>Precaution</b> .....	<b>5</b>
On Safety .....	5
On Installation .....	5
Handling the Screen .....	5
On Burn-in .....	5
On a Long Period of Use .....	5
Handling and Maintenance of the Screen .....	6
On Dew Condensation .....	6
On Repacking .....	6
On Mounting on a Rack .....	6
Disposal of the Unit .....	6
On Fan Error .....	6
On AC Adaptor Terminal .....	6
<b>Features</b> .....	<b>7</b>
<b>Location and Function of Parts and Controls</b> ....	<b>9</b>
Front Panel .....	9
Rear/Bottom Panel .....	11
<b>Installing to the Rack (Using MB-531)</b> .....	<b>12</b>
<b>Power Supply</b> .....	<b>13</b>
Attaching the AC Adaptor .....	13
Connecting the AC Power Cord .....	13
<b>Selecting the Default Settings</b> .....	<b>14</b>
<b>Selecting the Menu Language</b> .....	<b>15</b>
<b>Using the Menu</b> .....	<b>16</b>
<b>Adjustment Using the Menus</b> .....	<b>18</b>
Items .....	18
Adjusting and Changing the Settings .....	18
STATUS menu.....	18
COLOR TEMP/SPACE menu.....	18
USER CONTROL menu.....	19
USER CONFIG menu.....	20
REMOTE menu .....	25
KEY INHIBIT menu.....	26
Input Signals and Adjustable/Setting Items .....	27
<b>Troubleshooting</b> .....	<b>28</b>
<b>Specifications</b> .....	<b>28</b>
<b>Dimensions</b> .....	<b>31</b>

---

# Precaution

---

## On Safety

- Operate the unit only with a power source as specified in the “Specifications” section.
- A nameplate indicating operating voltage, etc., is located on the rear.
- Should any solid object or liquid fall into the cabinet, unplug the unit and have it checked by qualified personnel before operating it any further.
- Do not drop or place heavy objects on the power cord. If the power cord is damaged, turn off the power immediately. It is dangerous to use the unit with a damaged power cord.
- Unplug the unit from the wall outlet if it is not to be used for several days or more.
- Disconnect the power cord from the AC outlet by grasping the plug, not by pulling the cord.
- The socket-outlet shall be installed near the equipment and shall be easily accessible.
- Do not carry the monitor by holding the stand.
- Do not carry the monitor by holding the AC adaptor.

---

## On Installation

- Allow adequate air circulation to prevent internal heat build-up.  
Do not place the unit on surfaces (rugs, blankets, etc.) or near materials (curtains, draperies) that may block the ventilation holes.
- Do not install the unit in a location near heat sources such as radiators or air ducts, or in a place subject to direct sunlight, excessive dust, mechanical vibration or shock.

---

## Handling the Screen

- The panel fitted to this unit is manufactured with high precision technology, giving a functioning pixel ratio of at least 99.99%. Thus a very small proportion of pixels may be “stuck”, either always off (black), always on (red, green, or blue), or flashing. In addition, over a long period of use, because of the physical characteristics of the panel, such “stuck” pixels may appear spontaneously. These problems are not a malfunction.
- Do not leave the screen facing the sun as it can damage the screen. Take care when you place the unit by a window.

- Do not push or scratch the monitor’s screen. Do not place a heavy object on the monitor’s screen. This may cause the screen to lose uniformity.
- The screen and the cabinet become warm during operation. This is not a malfunction.

---

## On Burn-in

Due to the characteristics of the material used in the OLED panel for its high-precision images, permanent burn-in may occur if still images are displayed in the same position on the screen continuously, or repeatedly over extended periods.

Images that may cause burn-in

- Masked images with aspect ratios other than 16:9
- Color bars or images that remain static for a long time
- Character or message displays that indicate settings or the operating state
- On-screen displays such as center markers or safety zones

### To reduce the risk of burn-in

- Turn off the character and marker displays  
Press the MENU button to turn off the character displays. To turn off the character or marker displays of the connected equipment, operate the connected equipment accordingly. For details, refer to the operation manual of the connected equipment.
- Turn off the power when not in use  
Turn off the power if the viewfinder is not to be used for a prolonged period of time.

### Screen saver

This product has a built-in screen saver function to reduce burn-in. When an almost still image is displayed for more than 10 minutes, the screen saver starts automatically and the brightness of the screen decreases.

---

## On a Long Period of Use

Due to an OLED's panel structure and characteristics of materials in its design, displaying static images for extended periods, or using the unit repeatedly in a high temperature/high humidity environments may cause image smearing, burn-in, areas of which brightness is permanently changed, lines, or a decrease in overall brightness.

In particular, continued display of an image smaller than the monitor screen, such as in a different aspect ratio, may shorten the life of the unit.

Avoid displaying a still image for an extended period, or using the unit repeatedly in a high temperature/high humidity environment such an airtight room, or around the outlet of an air conditioner.

To prevent any of the above issues, we recommend reducing brightness slightly, and to turn off the power whenever the unit is not in use.

---

## Handling and Maintenance of the Screen

The surface of the screen is specially coated to reduce image reflection. Make sure to observe the following points as improper maintenance procedures may impair the screen's performance. In addition, the screen is vulnerable to damage. Do not scratch or knock against it using a hard object.

- Be sure to disconnect the AC power cord from the AC outlet before performing maintenance.
- The surface of the screen is specially coated. Do not attach adhesive objects, such as stickers, on it.
- The surface of the screen is specially coated. Do not touch the screen directly.
- Wipe the screen surface gently with the supplied cleaning cloth or a soft dry cloth to remove dirt.
- Stubborn stains may be removed with the supplied cleaning cloth, or a soft cloth slightly dampened with a mild detergent solution.
- The screen may become scratched if the cleaning cloth is dusty.
- Never use strong solvents such as alcohol, benzene, thinner, acidic or alkaline detergent, detergent with abrasives, or chemical wipe as these may damage the screen.
- Use a blower to remove dust from the screen surface.

---

## On Dew Condensation

If the viewfinder is moved suddenly from a cold place to a warm place, or used in a room with high humidity, water droplets may form on the interior of the product. This phenomenon is known as dew condensation. This product does not come with a feature that warns users of dew condensation. If water droplets are found on the casing, turn off the power, and wait until the condensation disappears before using.

---

## On Repacking

Do not throw away the carton and packing materials. They make an ideal container which to transport the unit.

---

## On Mounting on a Rack

Leave 1U space empty above and below the monitor to ensure adequate air circulation or install a fan to maintain the monitor's performance.

If you have any questions about this unit, contact your authorized Sony dealer.


---

## Disposal of the Unit

Do not dispose of the unit with general waste. Do not include the monitor with household waste. When you dispose of the monitor, you must obey the law in the relative area or country.

---

## On Fan Error

The fan for cooling the unit is built in. When the fan stops and the  (standby) switch indicator on the front panel flashes in green and amber for fan error indication, turn off the power and contact an authorized Sony dealer.

---

## On AC Adaptor Terminal

The AC adaptor terminal of this unit (the connector for AC adaptors) is a consumable part.

The unit may not operate properly if the pins of the AC adaptor terminal are bent or deformed by shock or vibrations, or if they become corroded due to prolonged outdoor use.

Periodic inspections are recommended to keep the unit working properly and to prolong its usable lifetime.

Contact your dealer or a Sony service representative for more information about inspections.

---

# Features

The PVM-740 Professional Video Monitor is a 7.4 type OLED panel monitor for broadcast or business use, featuring a precise image and high performance. This not only achieves high quality picture by the OLED panel but is also small and lightweight, and accepts a variety of input signals, making it useful in a variety of applications, such as an indoor/outdoor shooting, live production, editing, research and development.

## Advantages of OLED panel technology

The OLED panel makes use of an organic material, which emits light when an electric current is applied. Being self-emitting, the strength of luminescence can be controlled by the amount of electric current. This brings about the following three features:

Quick motion picture response:

The luminescent state of the OLED panel can be changed instantaneously by changing the current flow in the organic material. This enables a quick motion picture response and production of images with minimal blurring and ghosting. Furthermore, performance for shooting on location is not influenced by changes in environmental temperature.

High contrast and wide dynamic range:

The OLED panel does not emit light when black signal is applied to the monitor, enabling a pure black screen to be displayed. Furthermore, thanks to high peak brightness the panel impressively displays brilliance and clarity of various sparkling images, such as stars in a night sky twinkling, night illuminations winking or glass glittering, etc.

Rich color reproduction:

An OLED panel's self-luminescence also allows for great color reproduction across the entire spectrum in practically any shade or brightness.

## Sony's Super Top Emission<sup>1)</sup> OLED panel

The 7.4 type Quarter HD (960×540) OLED panel features Sony's Super Top Emission structure. Unlike the conventional bottom emission structure of TFT, Sony's OLED panel can reproduce a crisper image due to high brightness. Furthermore, a unique microcavity structure makes RGB primary colors purer and deeper by utilizing light resonance effects that magnify optimum light wave lengths and diminish undesired light wave lengths.

The panel's 10-bit driver enables smooth gradation of color shading.

1) "SUPER TOP EMISSION" is a trademark that represents the OLED technology of Sony Corporation.

## Multi-format

The monitor supports video, HDMI<sup>2)</sup>, SDI (3G/HD/SD) signals and NTSC/PAL color systems.

*For more information, see "Available signal formats" on page 30.*

2) HDMI, the HDMI logo and High-Definition Multimedia Interface are trademarks or registered trademarks of HDMI Licensing LLC.

## Color space function

Sony's "ChromaTru" technology brings to you broadcast standard (ITU-R BT.709/EBU/SMPTE-C) color space settings. You can contrast the images of the monitors placed on monitor wall mount or rack mount. Setting the color space function to off reproduces the image in the original wide color space of OLED.

## Proprietary feedback circuit

Automatic monitoring and feedback of emitted light and color variation enables stable, long-term color reproduction. This self-correcting feature minimizes the need for user-adjustment of color settings.

## Strong, slim and lightweight

The strong, slim, and lightweight design of the aluminum die-cast chassis makes the monitor suitable for use with rack mounts or as a portable monitor. This reduces the weight burden on an outdoor broadcasting van, and allows for a wider working space. Use the light intercepting hood, connector protector and carrying handle (optional Sony VF-510 Monitor ENG Kit) for outdoor use.

## Removable screen's protection plate

You can attach and detach the screen's protection plate easily with the four screws.

## Monitor stand

You can set the monitor display in 15° by using the stand.

## Two power systems

This unit can also be operated by DC 12V or its exclusive AC adaptor. The AC adaptor can be mounted on the rear of the monitor for easy use.

## Camera focus

This function sharpens the edges of the image more than the amount set by the upper limit of the aperture value in the USER CONTROL menu.

This is convenient for focusing with the camera.

### **Input signal waveform and audio level display**

The waveform of the input signal or the audio level (embedded audio only) can be displayed.

*For more information, see SUB INPUT SELECT of “WFM/ALM (waveform monitor and audio level meter) DISPLAY SETTING” on page 21.*

### **Screen saver**

To reduce burn-in, the brightness of the screen can be automatically decreased when a still image is displayed for more than 10 minutes.

### **Silent mode**

You can stop the built-in cooling fan. This function is convenient for stopping the noise of the fan rotation.

### **Flip HV**

The image can be flipped vertically, horizontally, or vertically and horizontally with no signal interruption.

*For more information, see FLIP HV of “FUNCTION BUTTON SETTING” on page 23.*

### **Rack mount monitors**

Using the optional MB-531 Mounting Bracket, up to two monitors may be mounted on the EIA-standard 19-inch rack. A height of 4U space-saving design allows more equipment to be installed in tight space, such as an outdoor broadcasting van.

### **External remote function**

The input signal is selected or various items are adjusted by use of the serial (Ethernet) remote function. Up to 32 monitors and control units (max. 4) can be connected by the Ethernet (10BASE-T/100BASE-TX) connection and controlled remotely on the network. You can control individual monitors or monitor groups simply by entering the monitor ID or group ID number. You can also execute the same operation on all connected monitors, or put all connected monitors into the same setup and adjustment state.

*For more information, see SERIAL REMOTE of REMOTE menu on page 25.*

*Refer to the Operation Manual of the BKM-15R Monitor Control Unit.*

### **Select color temperature mode**

You can select the color temperature from among two settings (9300 K, 6500 K).

### **Auto chroma/phase function**

The chroma and phase of the decoder are automatically adjusted with the auto chroma/phase function.

### **Blue only mode**

In the blue only mode, a monochrome display is obtained with all three of the R/G/B picture elements driven with a blue signal. This mode is convenient for chroma and phase adjustments and monitoring of signal noise.

### **H/V delay mode**

The horizontal and vertical sync signals can be monitored simultaneously.

### **Select marker/scan display**

Various items for broadcast use can be displayed. The center marker, aspect marker or display size (scan), etc are displayed by selecting according to use.

*For more information, see “MARKER SETTING” on page 21 and SCAN of “FUNCTION BUTTON SETTING” on page 22.*

### **Scan setting/native display**

When video signals are input, you can set the display size to 0% scan (normal) or 5% over scan (over). A native display function that maps the pixel of the signal to the panel in one-to-one mode is also equipped. With this, scaling to correct the screen aspect ratio is done to the horizontal direction of SD signals with non-square pixels (number of horizontal pixels of the signal system is 720 or 1440) or 640 × 480 SD signal of HDMI video.

### **On-screen menus**

You can set the appropriate settings according to the connected system by using the on-screen menus.

### **Select language display**

You can select from seven display languages, English, French, German, Spanish, Italian, Japanese and Chinese.

### **Key inhibit function**

You can inhibit a key function to prevent misoperation.

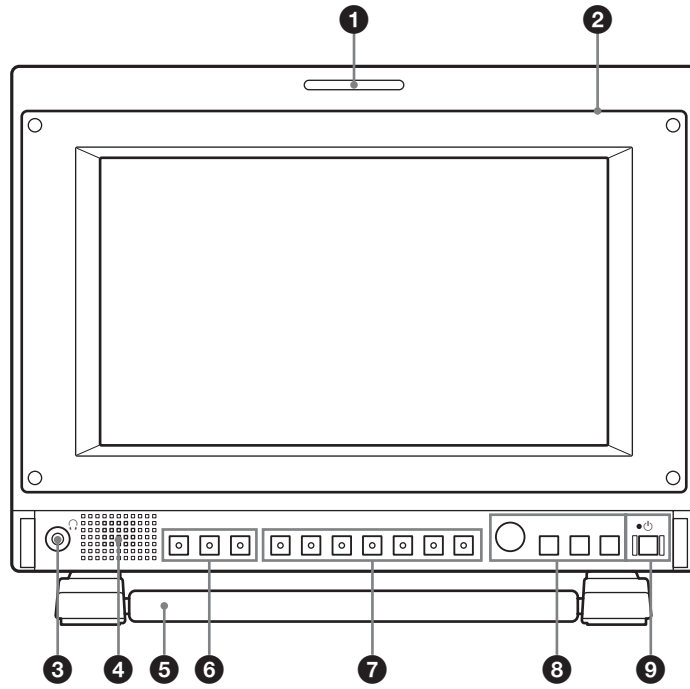
### **Monaural speaker**

The monitor has a monaural speaker to reproduce sound.



# Location and Function of Parts and Controls

## Front Panel



### 1 Tally lamp

You can check the status of the monitor by the color of the tally lamp.

The tally lamp lights in red, green or amber according to the setting of PARALLEL REMOTE in the REMOTE menu.

### 2 Protection plate

You can detach the protection plate by removing the four screws.

### 3 (headphones) jack

The audio signal which is selected by the input select button is output in stereo sound.

### 4 Speaker

The audio signal which is selected by the input select button is output in monaural sound (L + R).

When SDI signals are input, the audio signal of the channel which is selected in AUDIO SETTING of the USER CONFIG menu is output (see page 20).

The audio signals from the speaker are output from the AUDIO OUT connector on the rear (see page 11).

Audio signals will not be output when headphones are connected to the (headphones) jack.

### 5 Stand

Pull the stand toward you to tilt the monitor screen by 15°. When using the optional VF-510 Monitor ENG Kit, set the stand at positions B and C. (see “Using the stand” on page 10).

### 6 Input select buttons

Press to monitor the signal input to each connector.

**SDI button:** to monitor the signal through the SDI IN connector

**HDMI button:** to monitor the signal through the HDMI connector

**COMPOSITE button:** to monitor the signal through the COMPOSITE IN connector

### 7 Function buttons

You can turn the assigned function on or off.

The factory setting is as follows;

**F1 button:** BRIGHTNESS

**F2 button:** CONTRAST

**F3 button:** CHROMA

**F4 button:** SCAN

**F5 button:** H/V DELAY

**F6 button:** VOLUME

**F7 button:** I/P MODE

You can assign various functions in FUNCTION BUTTON SETTING of the USER CONFIG menu.

Press the button BRIGHTNESS, CONTRAST, CHROMA, or VOLUME function assigned to display the adjustment screen. Press the same button again, and the adjustment screen disappears, but you can adjust the value without the setting value display.

*For details of the function assigned to the function button, see page 22.*

## 8 Menu operation buttons

Displays or sets the on-screen menu.

### Menu selection control

When the menu is displayed, turn the control to select a menu item or setting value, and then press the control to confirm the setting.

### To light up the characters that represent the names of the buttons

When the menu is not displayed, press the menu selection control. Press it again to turn off the lights.

### ENTER button

Press to confirm a selected item on the menu.

When the menu is not displayed, press the button to display the distinguished signal format.

### RETURN button

When the menu is displayed, press the button to reset the value of an item to the previous value (except some items).

When the menu is not displayed, press the button to display the names of the functions selected in FUNCTION BUTTON SETTING of the USER CONFIG menu in the lower left of the screen.

### MENU button

Press to display the on-screen menu.

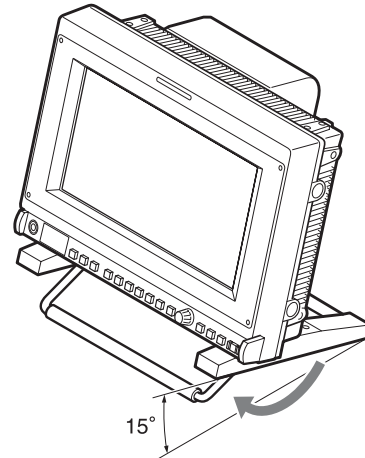
Press again to clear the menu.

## 9 (standby) switch and indicator

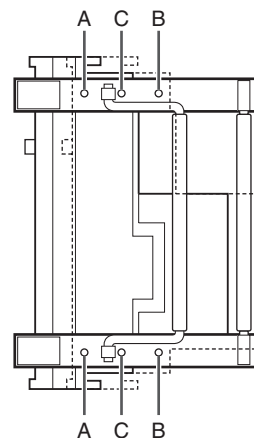
Press to turn on the power when this unit is in standby mode. The indicator lights in green. Press the switch again to set the monitor in standby mode. The indicator goes out. If a temperature increase occurs inside the unit when using the unit in a high temperature environment, in SILENT MODE, or when a fan error occurs, the indicator flashes in green and amber alternately. In power saving mode, it lights in amber.

## Using the stand

Pull the stand toward you to tilt the monitor screen by 15°.



The mounting position of the stand can be changed. Move the mounting screws on the underside of the stand to positions A and C, or positions B and C.

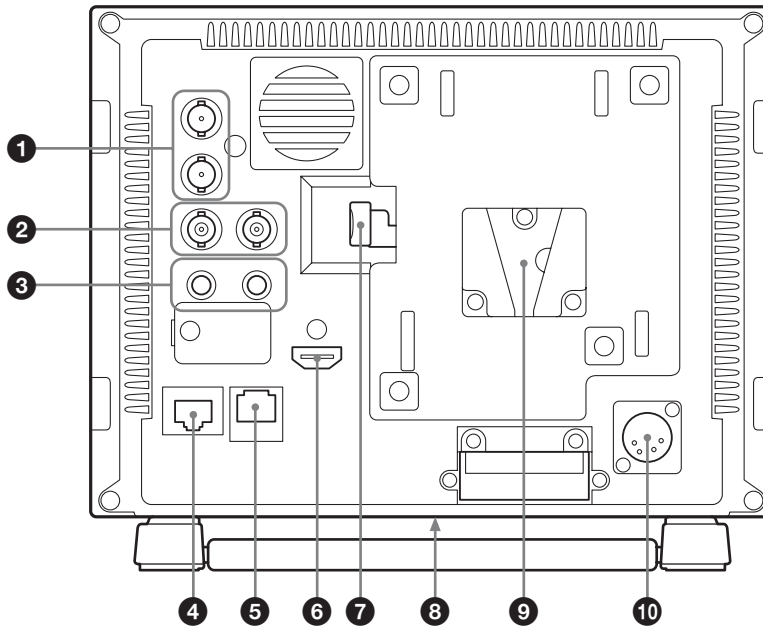


**A and C:** Sets the stand towards the back.

**B and C:** Sets the stand towards the front.

When using the optional VF-510 Monitor ENG Kit, set the stand at positions B and C.

## Rear/Bottom Panel



### 1 SDI (3G/HD/SD) input and output connectors (BNC)

#### IN connector

Input connector for serial digital component signals.

#### OUT connector

Output connector for serial digital component signals.

#### Note

The signal from the OUT connector does not satisfy the ON-LINE signal specifications.

### 2 COMPOSITE input and output connectors (BNC)

#### IN connector

Input connector for composite video signals or audio signals.

#### OUT connector

Loop-through output connector.

#### Note

When inputting a video signal with the jitters, etc. the picture may be disturbed. We recommend using the TBC (time base corrector).

### 3 AUDIO input and output connectors (stereo mini jack)

#### IN connector

Connect to the audio outputs of external equipment such as a VCR.

### OUT connector

Outputs the audio signal which is selected by the input select button on the front panel.

When SDI signal is selected, the audio signal of the channel which is selected in AUDIO SETTING of the USER CONFIG menu is output.

### 4 PARALLEL REMOTE connector (modular connector, 8-pin)

Forms a parallel switch and controls the monitor externally.

*For details on the pin assignment and factory setting function assigned to each pin, see page 29.*

#### CAUTION

For safety, do not connect the connector for peripheral device wiring that might have excessive voltage to this port. Follow the instructions for this port.

### 5 SERIAL REMOTE connector (RJ-45)

Connect to the network or Sony BKM-15R Monitor Control Unit by using a 10BASE-T/100BASE-TX LAN cable (shielded type, optional).

*For details, refer to the Interface Manual for Programmers (saved in the supplied CD-ROM, Japanese and English only).*

## CAUTION

- For safety, do not connect the connector for peripheral device wiring that might have excessive voltage to this port. Follow the instructions for this port.
- The connection speed may be affected by the network system. This unit does not guarantee the communication speed or quality of 10BASE-T/100BASE-TX.

### ⑥ HDMI input connector

Input connector for HDMI signals.

HDMI (High-Definition Multimedia Interface) is an interface that supports both video and audio on a single digital connection, allowing you to enjoy high quality digital picture and sound. The HDMI specification supports HDCP (High-bandwidth Digital Content Protection), a copy protection technology that incorporates coding technology for digital video signals.

#### Note

Use HDMI compliant cable (optional) with HDMI logo.

### ⑦ EJECT button

While sliding this button, remove the AC adaptor.

### ⑧ Tripod socket hole (1/4-20UNC, 3/8-16UNC)

When using a tripod, secure it to the monitor with this hole.

### ⑨ AC adaptor attachment

The monitor can also be operated with AC power by attaching the AC adaptor.

## CAUTION

For safety, use only the Sony AC adaptor listed below.

- AC power using the AC-940W AC Adaptor

### ⑩ 12V jack (XLR-type, 4-pin)

Connects the DC 12V external power source to use the monitor.

## Installing to the Rack (Using MB-531)

You can attach up to two monitors to the rack by using the optional MB-531 Mounting Bracket.

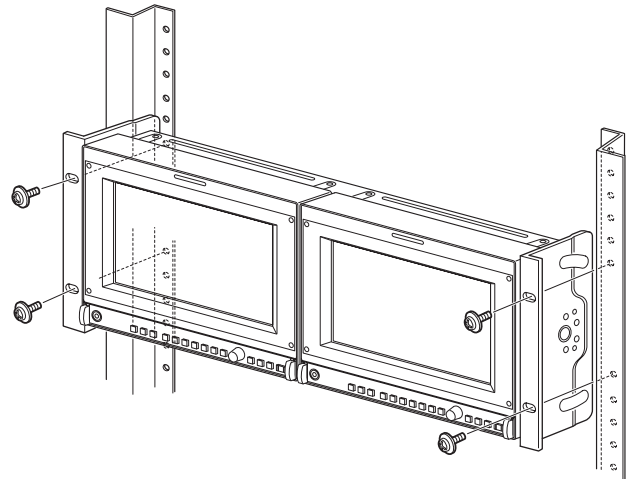
- 1 Attach the mounting bracket to the monitor.

*For details on attaching the mounting bracket, refer to the Mounting Instructions of the MB-531.*

- 2 Attach the unit to the rack with four screws.

#### Note

The screws are not supplied. Prepare screws according to the rack.



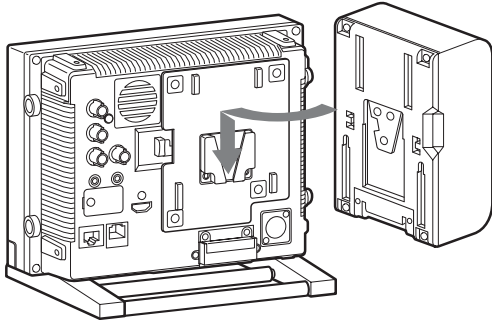
---

# Power Supply

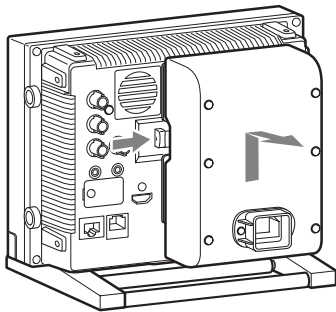
---

## Attaching the AC Adaptor

### Attaching



### Removing



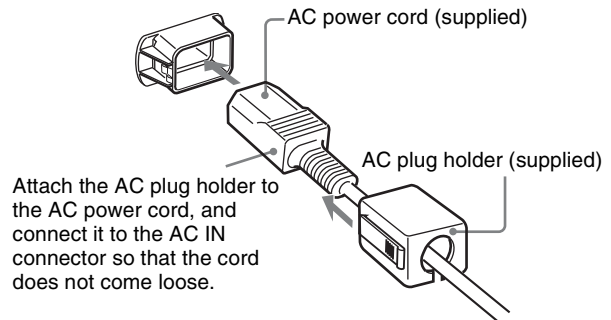
### CAUTION

- The AC adaptor can be used only with products specified by the manufacturer.
- To remove the AC adaptor, first unplug the AC power cord and then remove the AC adaptor.
- Do not carry the monitor by holding the AC adaptor.

---

## Connecting the AC Power Cord

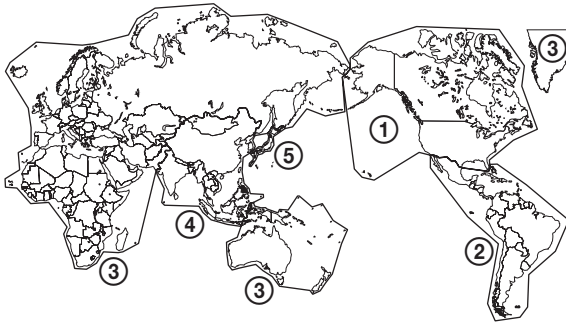
Attach the AC adaptor to the monitor, and then connect the supplied AC power cord.



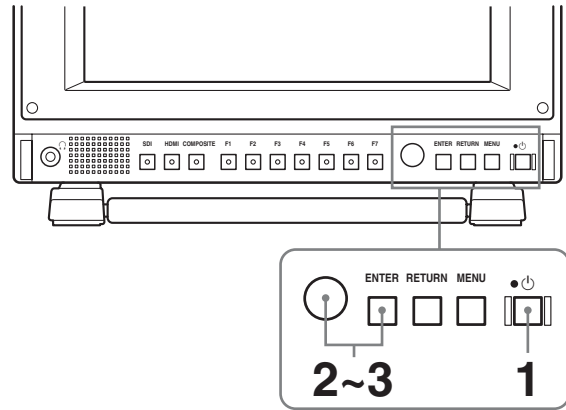
# Selecting the Default Settings

When you turn on the unit for the first time after purchasing it, select the area where you intend to use this unit from among the options.

## The default setting values for each area

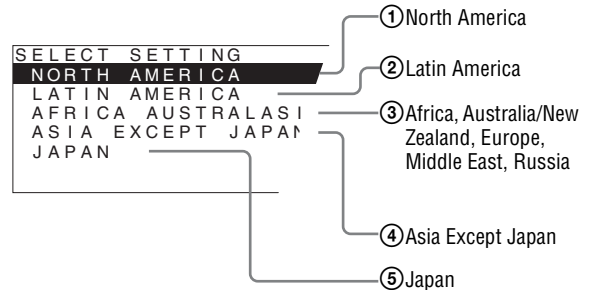


		COLOR TEMP	NTSC SETUP	COLOR SPACE
① NORTH AMERICA		D65	7.5	SMPTE-C
② LATIN AMERICA	ARGENTINA	D65	0	EBU
	PAL&PAL-N AREA PARAGUAY	D65	0	EBU
	URUGUAY	D65	0	EBU
	NTSC&PAL-M AREA OTHER AREA	D65	7.5	SMPTE-C
③ AFRICA AUSTRALASIA EUROPE MIDDLE-EAST		D65	0	EBU
④ ASIA EXCEPT JAPAN	NTSC AREA	D65	7.5	SMPTE-C
	PAL AREA	D65	0	EBU
⑤ JAPAN		D93	0	EBU



1 Press the (standby) switch.

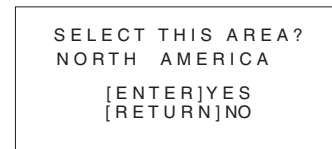
The unit is turned on and the SELECT SETTING screen appears.



2 Turn the menu selection control to select the area where you intend to use the unit and press the menu selection control or the ENTER button.

**If you select either ①, ③ or ⑤**

The confirmation screen is displayed. Confirm the selected area. When the setting is wrong, press the RETURN button to return to the previous screen.



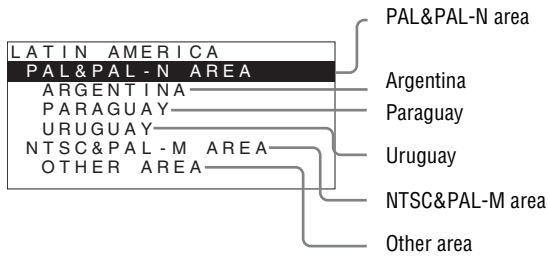
**If you select either ② or ④**

One of the following screens appears. Turn the menu selection control to narrow the area further and then press the menu selection control or the ENTER button.

The confirmation screen is displayed. Confirm the selected area.

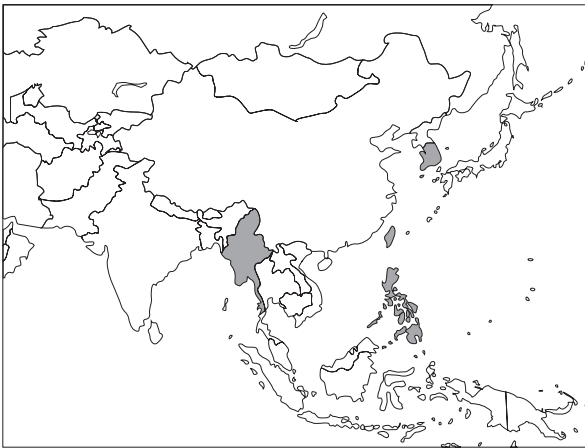
If the setting is wrong, press the RETURN button to return to the previous screen.

② If LATIN AMERICA is selected:



④ If ASIA EXCEPT JAPAN is selected:

Customers who will use this unit in the shaded areas shown in the map below should select NTSC AREA. Other customers should select PAL AREA.



3 Press the menu selection control or the ENTER button.

The SELECT SETTING screen disappears and the menu item settings suitable for the selected area are applied.

**Note**

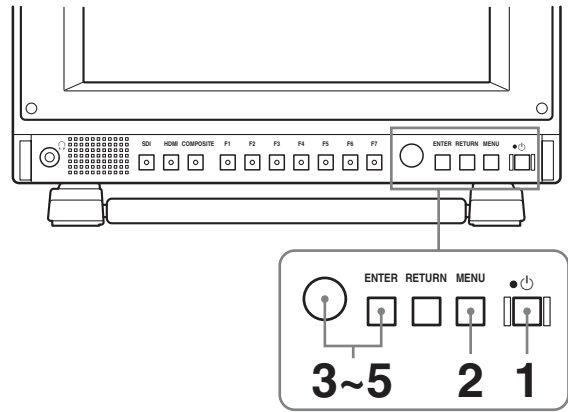
When you have selected the wrong area, set the following items using the menu.

- COLOR TEMP (on page 19)
- NTSC SETUP (on page 20)
- COLOR SPACE (on page 19)

See “The default setting values for each area” (page 14) on the setting value.

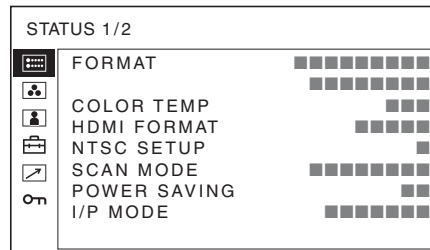
# Selecting the Menu Language

You can select one of seven languages (English, French, German, Spanish, Italian, Japanese, Chinese) for displaying the menu and other on-screen displays. “ENGLISH (English)” is selected in the default setting. The current settings are displayed in place of the ■ marks on the illustrations of the menu screen.



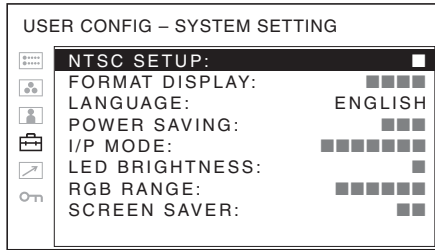
- 1 Turn on the unit.
- 2 Press the MENU button.

The menu appears. The menu presently selected is shown in yellow.



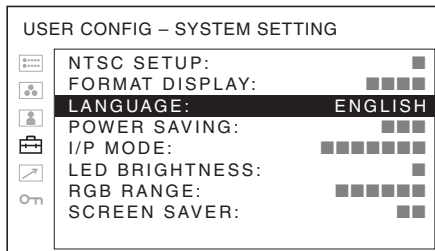
- 3 Turn the menu selection control to select SYSTEM SETTING of the USER CONFIG (user configuration) menu, then press the menu selection control or the ENTER button.

The setting items (icons) in the selected menu are displayed in yellow.



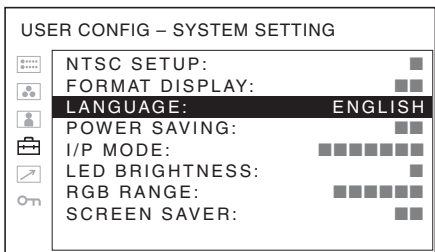
- Turn the menu selection control to select “LANGUAGE”, then press the menu selection control or the ENTER button.

The selected item is displayed in yellow.



- Turn the menu selection control to select a language, then press the menu selection control or the ENTER button.

The menu changes to the selected language.



### To clear the menu

Press the MENU button.

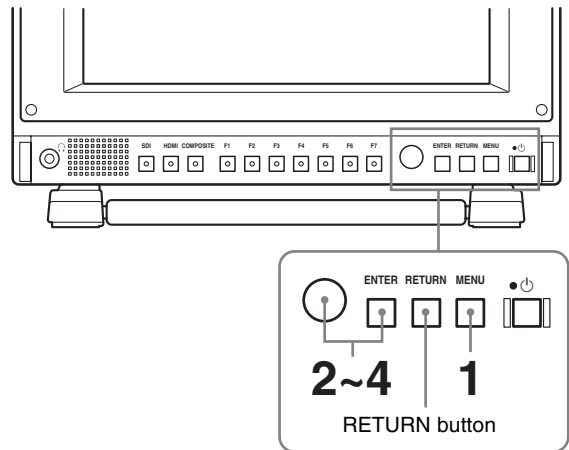
The menu disappears automatically if a button is not pressed for one minute.

## Using the Menu

The unit is equipped with an on-screen menu for making various adjustments and settings such as picture control, input setting, set setting change, etc. You can also change the menu language displayed in the on-screen menu.

To change the menu language, see “Selecting the Menu Language” on page 15.

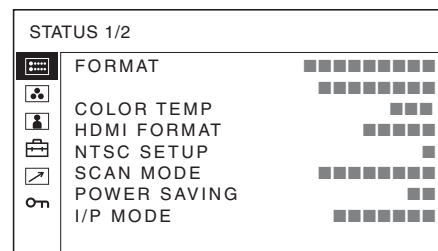
The current settings are displayed in place of the ■ marks on the illustrations of the menu screen.



- Press the MENU button.

The menu appears.

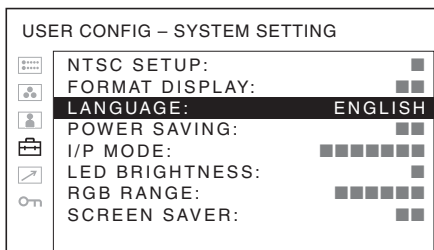
The menu presently selected is shown in yellow.



- Turn the menu selection control to select a menu, then press the menu selection control or the ENTER button.



The menu icon presently selected is shown in yellow and setting items are displayed.



### 3 Select an item.

Turn the menu selection control to select the item, then press the menu selection control or the ENTER button.

The item to be changed is displayed in yellow. If the menu consists of multiple pages, turn the menu selection control to go to the desired menu page.

### 4 Make the setting or adjustment on an item.

#### **When changing the adjustment level:**

To increase the number, turn the menu selection control right.

To decrease the number, turn the menu selection control left.

Press the menu selection control or the ENTER button to confirm the number, then restore the original screen.

#### **When changing the setting:**

Turn the menu selection control to change the setting, then press the menu selection control or the ENTER button to confirm the setting.

#### **When returning the adjustment or setting to the previous value:**

Press the RETURN button before pressing the menu selection control or the ENTER button.

#### **Notes**

- An item displayed in black cannot be accessed. You can access the item if it is displayed in white.
- If the key inhibit has been turned on, all items are displayed in black. To change any of the items, turn the key inhibit to OFF first.

*For details on the key inhibit, see page 26.*

### **To return the display to the previous screen**

Press the RETURN button.

### **To clear the menu**

Press the MENU button.

The menu disappears automatically if a button is not pressed for one minute.

### **About the memory of the settings**

The settings are automatically stored in the monitor memory.

# Adjustment Using the Menus

## Items

The screen menu of this monitor consists of the following items.

### **STATUS** (the items indicate the current settings.)

FORMAT  
COLOR TEMP  
HDMI FORMAT  
NTSC SETUP  
SCAN MODE  
POWER SAVING  
I/P MODE  
Model name and serial number

### **COLOR TEMP/SPACE**

COLOR TEMP  
MANUAL ADJUSTMENT  
COLOR SPACE

### **USER CONTROL**

SUB CONTROL  
AUTO CHROMA/PHASE  
PICTURE CONTROL  
INPUT SETTING

### **USER CONFIG**

SYSTEM SETTING  
NTSC SETUP  
FORMAT DISPLAY  
LANGUAGE  
POWER SAVING  
I/P MODE  
LED BRIGHTNESS  
RGB RANGE  
SCREEN SAVER  
MARKER SETTING  
MARKER ENABLE  
MARKER SELECT  
CENTER MARKER  
MARKER LEVEL  
MARKER MAT  
WFM/ALM (waveform monitor and audio level meter) DISPLAY SETTING  
WFM/ALM  
WFM/ALM SELECT  
POSITION  
FUNCTION BUTTON SETTING

F1 BUTTON  
F2 BUTTON  
F3 BUTTON  
F4 BUTTON  
F5 BUTTON  
F6 BUTTON  
F7 BUTTON  
AUDIO SETTING  
SDI AUDIO SETTING

### **REMOTE**

PARALLEL REMOTE  
SERIAL REMOTE

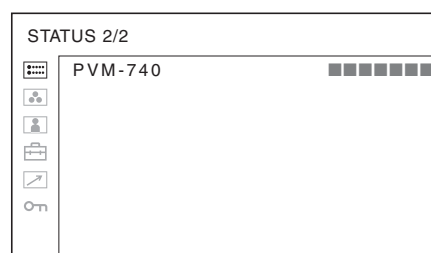
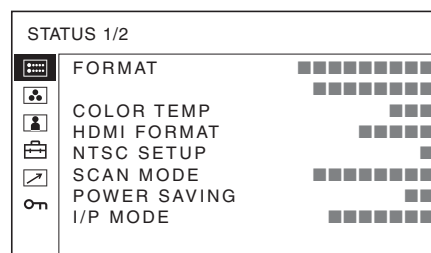
### **KEY INHIBIT**

KEY INHIBIT

## Adjusting and Changing the Settings

### **STATUS** menu

The STATUS menu is used to display the current status of the unit. The following items are displayed:



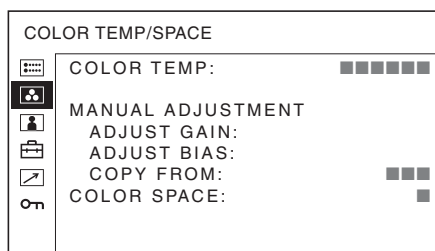
- Signal format
- Color temperature
- HDMI format
- NTSC setup
- Scan mode
- Power saving
- I/P mode
- Model name and serial number

### **COLOR TEMP/SPACE** menu

The COLOR TEMP/SPACE menu is used for adjusting the picture white balance or color space.

You need to use the measurement instrument to adjust the white balance.

Recommended: Konica Minolta color analyzer CA-210



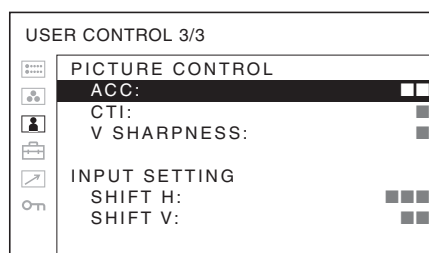
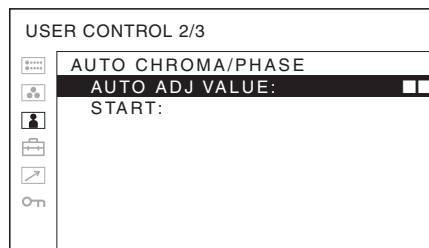
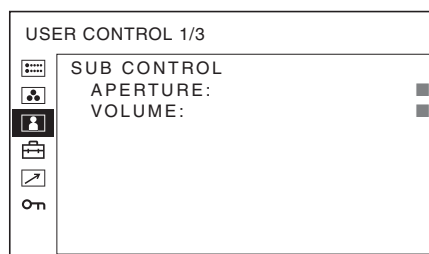
Submenu	Setting
COLOR TEMP	Selects the color temperature from among D65, D93 and USER setting.
MANUAL ADJUSTMENT	<p>If you set the COLOR TEMP to USER setting, the item displayed is changed from black to white, which means you can adjust the color temperature.</p> <p>The set values are memorized.</p> <ul style="list-style-type: none"> <li>• <b>ADJUST GAIN:</b> Adjusts the color balance (GAIN).</li> <li>• <b>ADJUST BIAS:</b> Adjusts the color balance (BIAS).</li> <li>• <b>COPY FROM:</b> If you select D65 or D93, the white balance data for the selected color temperature will be copied in the USER setting.</li> </ul>
COLOR SPACE	Selects the color space from among EBU, SMPTE-C, ITU-709 and OFF. OFF sets the color space to the original color reproduction of the panel.

## USER CONTROL menu

The USER CONTROL menu is used for adjusting the picture.

Items that cannot be adjusted depending on the input signal are displayed in black.

*For details of input signal and adjustable / setting items, see page 27.*

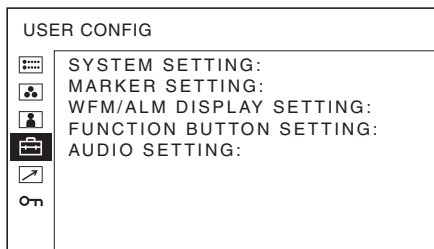


Submenu	Setting
SUB CONTROL	<ul style="list-style-type: none"> <li>• <b>APERTURE:</b> Adjusts the picture sharpness. The higher the setting, the sharper the picture. The lower the setting, the softer the picture. APERTURE does not work when the camera focus function is activated.</li> <li>• <b>VOLUME:</b> Adjusts the volume.</li> </ul>
AUTO CHROMA/PHASE	<p>Adjusts color intensity (CHROMA) and tones (PHASE).</p> <ul style="list-style-type: none"> <li>• <b>AUTO ADJ VALUE:</b> Selects ON or OFF of the auto adjustment. When you set to OFF, this parameter is reset to the factory setting. When you set to ON, the automatically adjusted value is enabled.</li> <li>• <b>START:</b> The auto adjustment starts when you display the color bar signals (Full/SMPTE/EIA) on the screen and press the ENTER button. After adjusting the color intensity, press the MENU button to clear the adjustment screen. After the adjustment is done correctly, the AUTO ADJ VALUE is automatically set to ON.</li> </ul>

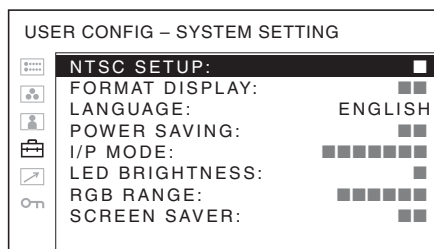
Submenu	Setting
PICTURE CONTROL	<p>Adjusts the picture.</p> <ul style="list-style-type: none"> <li>• <b>ACC (Auto Color Control):</b> Sets ACC circuit on or off. To check the fine adjustment, select OFF. Normally select ON.</li> <li>• <b>CTI (Chroma Transient Improvement):</b> When a low color resolution signal is input, a crisp image can be displayed. When the setting is higher, the picture becomes even more crisp.</li> <li>• <b>V SHARPNESS:</b> A crisp image can be displayed. When the setting is higher, the picture becomes even more crisp.</li> </ul>
INPUT SETTING	<ul style="list-style-type: none"> <li>• <b>SHIFT H:</b> Adjusts the position of the picture. As the setting increases, the picture moves to the right, and as the setting decreases, the picture moves to the left.</li> <li>• <b>SHIFT V:</b> Adjusts the position of the picture. As the setting increases, the picture moves up, and as the setting decreases, the picture moves down.</li> </ul>

## USER CONFIG menu

The USER CONFIG menu is used for setting the system, marker, WFM/ALM display, function button, and audio.



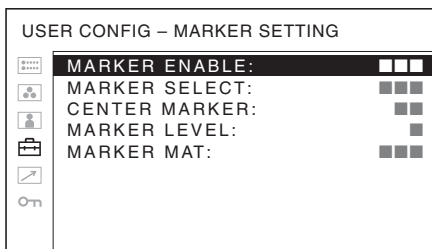
## SYSTEM SETTING



Submenu	Setting
NTSC SETUP	<p>Selects the NTSC setup level from two modes.</p> <p>The 7.5 setup level is used mainly in North America. The 0 setup level is used mainly in Japan.</p>
FORMAT DISPLAY	<p>Selects the display mode of the signal format and scan mode.</p> <ul style="list-style-type: none"> <li>• <b>OFF:</b> The display is hidden.</li> <li>• <b>AUTO:</b> The format and scan mode are displayed for about 10 seconds when the input of the signal starts.</li> </ul>
LANGUAGE	<p>Selects the menu or message language from among seven languages.</p> <ul style="list-style-type: none"> <li>• <b>ENGLISH:</b> English</li> <li>• <b>FRANÇAIS:</b> French</li> <li>• <b>DEUTSCH:</b> German</li> <li>• <b>ESPAÑOL:</b> Spanish</li> <li>• <b>ITALIANO:</b> Italian</li> <li>• <b>日本語:</b> Japanese</li> <li>• <b>中文:</b> Chinese</li> </ul>
POWER SAVING	<p>Sets the power saving mode on or off. When you set to ON, the monitor goes into power saving mode if no signal is input for about one minute.</p>
I/P MODE (picture delay minimum)	<p>Selects to set the delay by the picture processing to the minimum level when the interlace signal is input.</p> <ul style="list-style-type: none"> <li>• <b>INTER-FIELD:</b> Mode for giving precedence to the picture quality. Performs interpolation depending on the movement of the images between the fields. It takes longer than “FIELD MERGE” or “LINE DOUBLER” for processing the picture. “INTER-FIELD” is the factory setting.</li> <li>• <b>FIELD MERGE:</b> The processing time is shorter. Combines the lines in the odd fields and even fields alternately regardless of the movement of images. Suitable for viewing still images.</li> <li>• <b>LINE DOUBLER:</b> The processing time is shorter. Performs interpolation by repeating each line in the data receiving sequence regardless of the field. As the line flicker is displayed in this mode, it is available for checking the line flicker of the telop work and so on.</li> </ul>

Submenu	Setting
LED BRIGHTNESS	Sets the brightness of the LED of the buttons. <ul style="list-style-type: none"> <li>• <b>0</b>: The LED becomes brighter.</li> <li>• <b>1</b>: The LED becomes darker.</li> </ul>
RGB RANGE	Sets the black level and white level for the RGB format of HDMI signals. <ul style="list-style-type: none"> <li>• <b>FULL</b>: 0 (black level) to 255 (white level)</li> <li>• <b>LIMITED</b>: 16 (black level) to 235 (white level)</li> </ul>
SCREEN SAVER	Sets the screen saver function on or off. <ul style="list-style-type: none"> <li>• <b>ON</b>: If a still image is displayed for more than 10 minutes, the brightness of the screen is automatically decreased to reduce burn-in. The screen returns to normal brightness when you input an image to the unit or operate the buttons on the front panel of the unit. While the screen saver is activated, the LED of the selected input select button flashes. (To decrease the brightness of the LED, see "LED BRIGHTNESS" on page 21.) This is the factory setting.</li> <li>• <b>OFF</b>: The screen saver function is deactivated.</li> </ul>

## MARKER SETTING



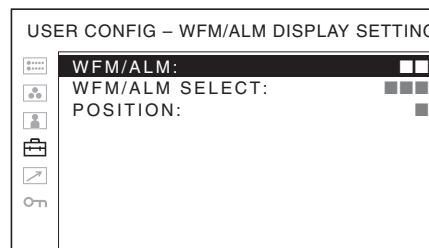
Submenu	Setting
MARKER ENABLE	Selects ON to display the marker and OFF not to display.

**Note**

When NATIVE is selected in the SCAN setting, the marker is not displayed. To display the marker, select a setting other than NATIVE.

Submenu	Setting
MARKER SELECT	Selects the aspect ratio according to the film, when the frame of the film is displayed on the screen. <b>When 16:9 aspect ratio is selected with the button which the aspect function is assigned</b> You can select from among 4:3, 15:9, 14:9, 13:9, 1.85:1, 2.35:1, 1.85:1 & 4:3 and OFF. <b>When 4:3 aspect ratio is selected with the button which the aspect function is assigned</b> You can select 16:9 or OFF.
CENTER MARKER	Selects ON to display the center mark of the picture and OFF not to display.
MARKER LEVEL	Sets the luminance to display the MARKER SELECT and CENTER MARKER. Two settings (1 or 2) are available. When the setting is low, the marker is displayed dark.
MARKER MAT	Selects whether you put mat on the outside of the marker display. <ul style="list-style-type: none"> <li>• <b>OFF</b>: No mat is put.</li> <li>• <b>HALF</b>: Gray mat is put.</li> </ul>

## WFM/ALM (waveform monitor and audio level meter) DISPLAY SETTING



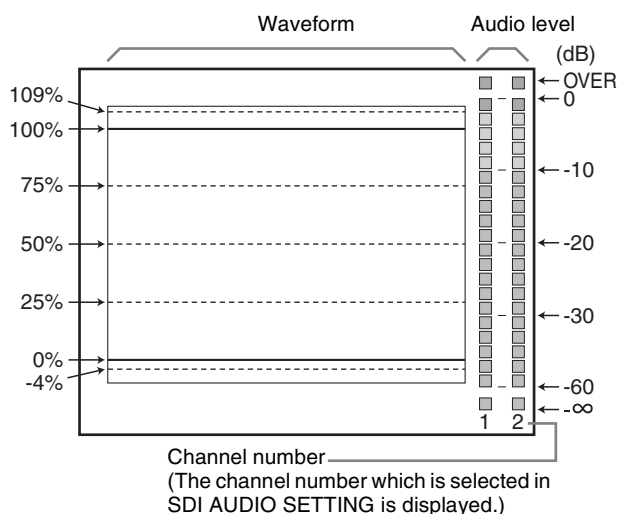
Submenu	Setting
WFM/ALM	Selects ON to display the WFM/ALM display and OFF not to display.

**Note**

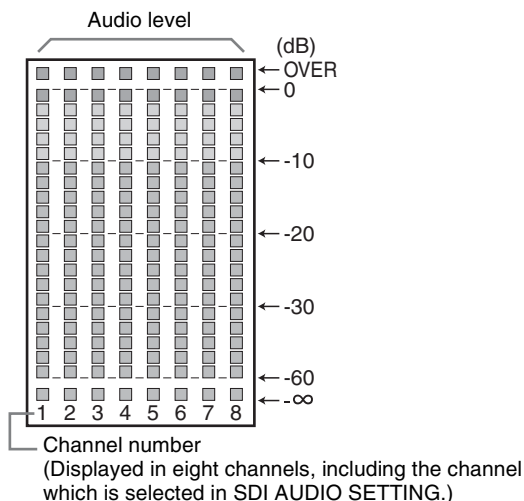
When the WFM/ALM display is enabled, the marker display is not available.

Submenu	Setting
WFM/ALM SELECT	<ul style="list-style-type: none"> <li>• <b>WFM:</b> A waveform monitor is displayed.</li> <li>• <b>ALM:</b> An audio level meter is displayed.</li> </ul> <p>When WFM is selected, the waveform and audio level are displayed. When ALM is selected, the audio level is displayed in eight channels.</p> <p>The audio levels of WFM or ALM are displayed when SDI signal is input. Select the displayed audio level channels in SDI AUDIO SETTING.</p> <p>The indications of the waveform (only when WFM is selected) and audio level signify as illustrated below, although the percentage of the waveform, units and values of the scale for the audio level do not appear on the display.</p>

When WFM is selected

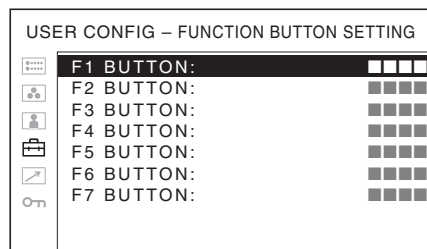


When ALM is selected



Submenu	Setting
POSITION	<p>Sets the position of the WFM/ALM display. You can select from among 1 to 4.</p> <ul style="list-style-type: none"> <li>• 1: Bottom left</li> <li>• 2: Bottom right</li> <li>• 3: Top right</li> <li>• 4: Top left</li> </ul>

## FUNCTION BUTTON SETTING



Submenu	Setting
F1 BUTTON to F7 BUTTON	<p>Assigns the function to the function buttons of the front panel and turns the function on or off.</p> <p>You can assign the function from among SCAN, ASPECT, BLUE ONLY, MONO, MARKER, I/P MODE and WFM/ALM.</p> <p><b>Factory setting</b></p> <ul style="list-style-type: none"> <li>• <b>F1 button:</b> BRIGHTNESS</li> <li>• <b>F2 button:</b> CONTRAST</li> <li>• <b>F3 button:</b> CHROMA</li> <li>• <b>F4 button:</b> SCAN</li> <li>• <b>F5 button:</b> H/V DELAY</li> <li>• <b>F6 button:</b> VOLUME</li> <li>• <b>F7 button:</b> I/P MODE</li> </ul>

## About the function assigned to the function button

### SCAN

Press the button to change the scan size of the picture. With every press of the button, the picture switches in the sequence NORMAL scan → OVER scan → NATIVE (see “Scan mode image” on page 24).

### ASPECT

Press the button to set the aspect ratio of the picture, 4:3 or 16:9.

### BLUE ONLY

Press the button to eliminate the red and green signals. Only blue signal is displayed as an apparent monochrome picture on the screen. This facilitates “chroma” and “phase” adjustments and observation of signal noise.

## **MONO**

Press the button to display a monochrome picture. When the buttons is pressed again, the monitor switches automatically to color mode.

## **MARKER**

Press the button to display the marker. Set the aspect marker in the MARKER SETTING menu (see page 21).

## **H/V DELAY**

Press the button to observe the horizontal and vertical sync signals at the same time.

## **WFM/ALM**

Press the button to display the WFM/ALM display. Set the WFM/ALM display setting in the WFM/ALM DISPLAY SETTING menu (see page 21).

## **BRIGHTNESS**

Press the button to adjust the picture brightness. Press the button to display the adjustment screen and adjust the picture brightness. Press again to hide the adjustment screen. However, the picture brightness remains adjustable. Turn the menu selection control right to increase the brightness and turn left to decrease it.

## **CONTRAST**

Press the button to adjust the picture contrast. Press the button to display the adjustment screen and adjust the picture contrast. Press again to hide the adjustment screen. However, the picture contrast remains adjustable. Turn the menu selection control right to increase the contrast and turn left to decrease it.

## **CHROMA**

Press the button to adjust the color intensity. Press the button to display the adjustment screen and adjust the color intensity. Press again to hide the adjustment screen. However, the color intensity remains adjustable. Turn the menu selection control right to increase the intensity and turn left to decrease it.

## **VOLUME**

Press the button to adjust the volume. Press the button to display the adjustment screen and adjust the volume. Press again to hide the adjustment screen. However, the volume remains adjustable. Turn the menu selection control right to increase the volume and turn left to decrease it.

## **I/P MODE**

Press the button to set the delay by the picture processing to the minimum level when interlace signal is input. The mode switches in the sequence INTER-FIELD → FIELD MERGE → LINE DOUBLER with every press of the button (see “I/P MODE” on page 20).

## **PHASE**

Press the button to adjust the color tones. Press the button to display the adjustment screen and adjust the color tones. Press again to hide the adjustment screen. However, the color tones remain adjustable. Turn the menu selection control right to increase the green tone and turn left to increase the purple tone.

## **APERTURE**

Press the button to adjust the picture sharpness. Press the button to display the adjustment screen and adjust the picture sharpness. Press again to hide the adjustment screen. However, the picture sharpness remains adjustable. Turn the menu selection control right to make the picture sharper and turn left to make the picture softer.

## **CAMERA FOCUS**

Press the button to confirm the camera focus. An image with sharpened edges is displayed.

## **SILENT MODE**

Press the button to stop the built-in cooling fan.

### **Note**

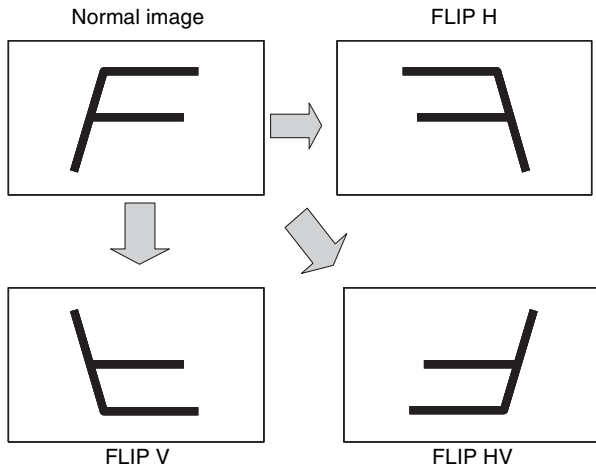
Stopping the fan will result in a temperature increase inside the unit, possibly shortening the life of the unit. When you use SILENT MODE, the picture contrast decreases to 30, and the indicator flashes in green and amber alternately to protect the interior circuit. This is not a malfunction.

## **FLIP V FLIP H FLIP HV**

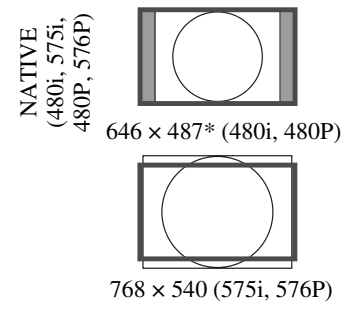
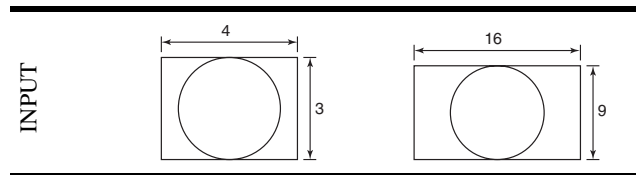
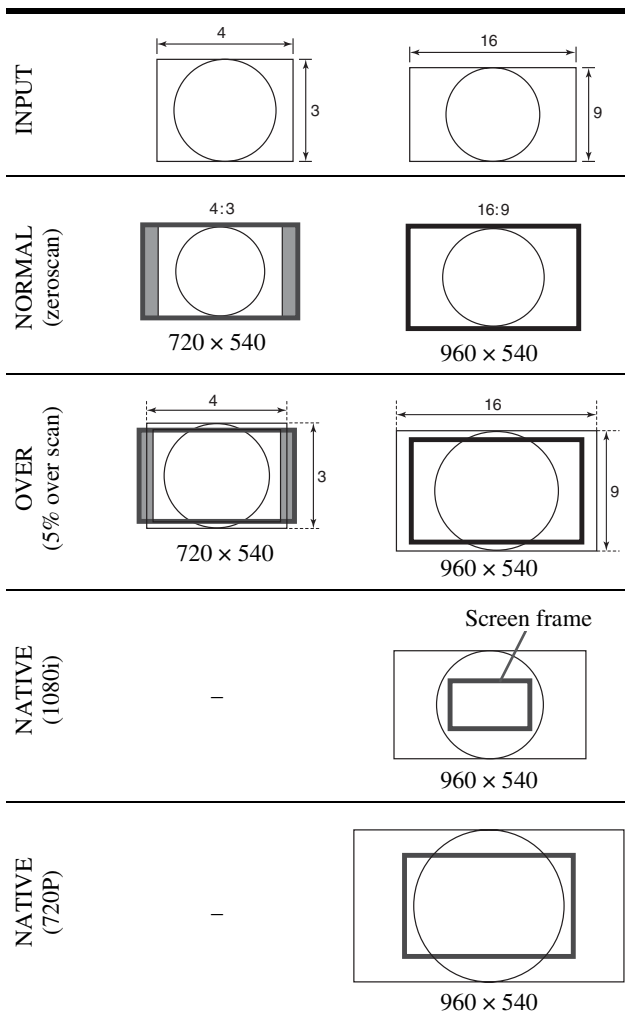
Press the button to flip the picture. You can assign the FLIP V, FLIP H, or FLIP HV function to the function buttons with no signal interruption.

### **Note**

The format display flips with the picture. The flipped picture returns to normal when the on-screen menu is displayed. The picture automatically returns to the flipped picture when the on-screen menu disappears.



## Scan mode image



The picture is scaled horizontally to display in an aspect ratio of 4:3.  
\* Applies to SMPTE 259M

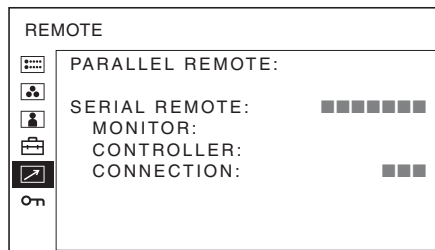
## AUDIO SETTING



Submenu	Setting
SDI AUDIO SETTING	<p>Sets the audio channel when SDI signal is input.</p> <ul style="list-style-type: none"> <li>• <b>3G/HD/SD:</b> Selects from among channels CH1 to CH16, odd channel + even channel (CH1+CH2, CH3+CH4...CH15+CH16) and OFF.</li> </ul> <p>You can display the L/R audio levels of the selected channels on the display when the WFM/ALM display is enabled (see "WFM/ALM (waveform monitor and audio level meter) DISPLAY SETTING" on page 21).</p>



## REMOTE menu



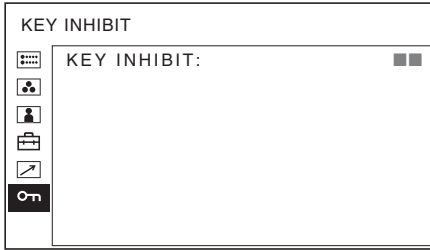
Submenu	Setting
PARALLEL REMOTE	<p>Selects the PARALLEL REMOTE connector pins for which you want to change the function. You can assign various functions to 1 to 4 pins and 6 to 8 pins. The following lists the functions you can assign to the pins.</p> <ul style="list-style-type: none"> <li>• --- (“---”): No function is assigned.)</li> <li>• COMPOSITE</li> <li>• SDI</li> <li>• HDMI</li> <li>• OVERSCAN</li> <li>• NORMAL</li> <li>• NATIVE</li> <li>• 4:3</li> <li>• 16:9</li> <li>• TALLY R</li> <li>• TALLY G</li> <li>• BLUE ONLY</li> <li>• MONO</li> <li>• H/V DELAY</li> <li>• 16:9 MARKER</li> <li>• 15:9 MARKER</li> <li>• 14:9 MARKER</li> <li>• 13:9 MARKER</li> <li>• 1.85:1 MARKER</li> <li>• 2.35:1 MARKER</li> <li>• 1.85:1 &amp; 4:3 MARKER</li> <li>• 4:3 MARKER</li> <li>• CENTER MARKER</li> <li>• MARKER MAT HALF</li> <li>• WFM/ALM</li> <li>• FLIP V</li> <li>• FLIP H</li> <li>• FLIP HV</li> </ul>

### Notes

- If you use the PARALLEL REMOTE function, you need to connect cables. For more details, see page 29.
- Set MARKER ENABLE (page 21) to ON to control the aspect marker and center marker.

Submenu	Setting
SERIAL REMOTE	<p>Selects the mode to be used.</p> <ul style="list-style-type: none"> <li>• <b>OFF</b>: SERIAL REMOTE does not function.</li> <li>• <b>ETHERNET</b>: The monitor is controlled by the command of Ethernet.</li> <li>• <b>BKM-15R</b>: Sets BKM-15R.</li> </ul>
MONITOR	<p>Sets the monitor setting.</p> <p><b>MONITOR ID</b>: Sets the ID of the monitor.</p> <p><b>GROUP ID</b>: Sets the group ID of the monitor.</p> <p><b>IP ADDRESS</b>: Sets the IP address.</p> <p><b>SUBNET MASK</b>: Sets the subnet mask. (255.255.255.000)</p> <p><b>DEFAULT GATEWAY</b>: Sets the default gateway on or off.</p> <p><b>ADDRESS</b>: Sets the default gateway.</p> <p><b>CANCEL</b>: Selects to cancel the setting.</p> <p><b>CONFIRM</b>: Selects to save the setting.</p>
CONTROLLER	<p>Sets the address of the remote controller.</p> <p><b>IP ADDRESS</b>: Sets the IP address.</p> <p><b>SUBNET MASK</b>: Sets the subnet mask. (255.255.255.000)</p> <p><b>DEFAULT GATEWAY</b>: Sets the default gateway on or off.</p> <p><b>ADDRESS</b>: Sets the default gateway.</p> <p><b>CANCEL</b>: Selects to cancel the setting.</p> <p><b>CONFIRM</b>: Selects to save the setting.</p>
CONNECTION	<p>Sets the connection of the monitor and the controller.</p> <p><b>PEER TO PEER</b>: for one to one connection</p> <p><b>LAN</b>: for connection via a network</p>

## KEY INHIBIT menu



You can lock the setting so that they cannot be changed by an unauthorized user.

Select OFF or ON.

If you set to ON, all items are displayed in black, indicating the items are locked.

## Input Signals and Adjustable/Setting Items

Item	Input signal						
	Video	B & W	SDI			HDMI	
			SD	HD	3G	SD	HD
CONTRAST	○	○	○	○	○	○	○
BRIGHT	○	○	○	○	○	○	○
CHROMA	○	×	○	○	○	○	○
PHASE	○ (NTSC)	×	×	×	×	×	×
APERTURE	○	○	○	○	○	○	○
COLOR TEMP	○	○	○	○	○	○	○
COLOR SPACE	○	○	○	○	○	○	○
AUTO CHROMA/PHASE	○	×	×	×	×	×	×
ACC	○	×	×	×	×	×	×
CTI	○	×	×	×	×	×	×
V SHARPNESS	○	○	○	×	×	○	×
NTSC SETUP	○ (NTSC)	○ (480/60I)	×	×	×	×	×
SCAN	○	○	○	○	○	○	○
ASPECT	○	○	○	×	×	○	×
MARKER	○	○	○	○	○	○	○
BLUE ONLY	○	×	○	○	○	○	○
MONO	○	×	○	○	○	○	○
H/V DELAY	○	○	○	○	○	×	×
SHIFT	○	○	○	○	○	○	○
POWER SAVING	○	○	○	○	○	○	○
I/P MODE*1	○	○	○	○	×	○	○
WFM/ALM*2	○	○	○	○	○	○	○
CAMERA FOCUS	○	○	○	○	○	○	○
RGB RANGE*3	×	×	×	×	×	○	○
SCREEN SAVER	○	○	○	○	○	○	○
SILENT MODE	○	○	○	○	○	○	○
FLIP HV	○	○	○	○	○	○	○

○ : Adjustable/can be set

×

\*1 Only the interlace signal is input.

\*2 The audio levels of WFM or ALM are displayed when SDI signal is input. Select the displayed audio level channels in SDI AUDIO SETTING (see “WFM/ALM SELECT” on page 22).

\*3 Adjustable when RGB format of HDMI signals are input.

---

# Troubleshooting

This section may help you isolate the cause of a problem and as a result, eliminate the need to contact technical support.

- **The unit cannot be operated** → The key protection function works. Set the KEY INHIBIT setting to OFF in the KEY INHIBIT menu.  
Or, a function that does not work is assigned. Press the RETURN button to check the assigned functions.
- **Adjustments and settings cannot be made** → Adjustments and settings may not be possible depending on the input signals and the status of the unit. See “Input Signals and Adjustable/Setting Items” (page 27).

---

# Specifications

## Picture performance

Panel	OLED panel
Pixel efficiency	99.99%
Picture size	7.4 type
Viewing angle (up/down/left/right, contrast > 10:1)	89°/89°/89°/89° (typical)
Scan	Normal 0% Over scan 5%
Efficient picture size	164 × 92, 188 mm (6 <sup>1</sup> / <sub>2</sub> × 3 <sup>5</sup> / <sub>8</sub> , 7 <sup>1</sup> / <sub>2</sub> inches)
Resolution	H 960 dots, V 540 lines
Aspect ratio	16:9

## Input

Composite input (NTSC/PAL) connector	BNC type (1) 1 Vp-p ± 3 dB sync negative
SDI input connector	BNC type (1)
HDMI input connector	HDMI (1)
Audio input connector	Stereo mini jack (1) −5 dBu 47 kilohms or higher
Remote input connector	Parallel remote Modular connector 8-pin (1) Serial remote RJ-45 modular connector (ETHERNET) (1)
DC IN connector	DC 12 V (output impedance 0.05 ohms or less)

## Output

SDI (3G/HD/SD) output connector	BNC type (1) Output signal amplitude: 800 mVp-p ±10% Output impedance: 75 ohms unbalanced
Composite output connector	BNC type (1) Loop-through, with 75 ohms automatic terminal function
Audio monitor output connector	Stereo mini jack (1)
Built-in speaker output	0.5 W Monaural
Headphones output connector	Stereo mini jack (1)

## General

Power	AC 100 to 240 V, 50/60 Hz, 0.5 A to 0.3 A DC 12 V, 1.9 A
Power consumption	Maximum: approx. 27 W
Peak inrush current	(1) Power ON, current probe method: 30 A (100 V), 60 A (240 V) (2) Hot switching inrush current, measured in accordance with European standard EN55103-1: 14 A (230 V)
Mass	Approx. 2.0 kg (4 lb 6 oz) Approx. 2.6 kg (5 lb 12 oz) (when AC adaptor is installed)
Operating conditions	
Temperature	0 °C to 40 °C (32 °F to 104 °F)
Recommended temperature	20 °C to 30 °C (68 °F to 86 °F)
Humidity	30% to 85% (no condensation)
Pressure	700 hPa to 1060 hPa
Storage and transport conditions	
Temperature	-20 °C to +60 °C (-4 °F to +140 °F)
Humidity	0% to 90%
Pressure	700 hPa to 1060 hPa
Accessories supplied	AC power cord (1) AC adaptor (1) AC plug holder (1) Operating Instructions (1) CD-ROM (1) Using the CD-ROM Manual (1) Warranty book (1)
Optional accessories	Mounting bracket MB-531 Mounting panel MB-532 Monitor ENG kit VF-510

Design and specifications are subject to change without notice.

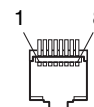
### Note

Always verify that the unit is operating properly before use. SONY WILL NOT BE LIABLE FOR DAMAGES OF ANY KIND INCLUDING, BUT NOT LIMITED TO, COMPENSATION OR REIMBURSEMENT ON ACCOUNT OF THE LOSS OF PRESENT OR PROSPECTIVE PROFITS DUE TO FAILURE OF THIS UNIT, EITHER DURING THE WARRANTY PERIOD OR AFTER EXPIRATION OF THE WARRANTY, OR FOR ANY OTHER REASON WHATSOEVER.

## Pin assignment

### PARALLEL REMOTE connector

Modular connector  
(8-pin)



Pin number	Functions
1	Designating SDI input signal
2	Designating HDMI input signal
3	Designating composite input signal
4	Setting tally lamp green ON/OFF
5	GND
6	Setting tally lamp red ON/OFF
7	Selecting over scan
8	Selecting normal scan

You can allocate functions using the REMOTE menu (see page 25).

### Note

Switching functions continuously allows at least 200 msec to do so. Otherwise, it may not switch correctly.

### Wiring required to use the Remote Control

Connect the function you want to use with a Remote Control to the Ground (Pin 5).

## Available signal formats

The unit is applicable to the following signal formats.

System	Total lines	Active lines	Frame rate* <sup>3</sup>	Scanning	Aspect ratio	Signal standard		
						Analog	SDI (3G/HD/SD)	HDMI
575/50I(PAL)	625	575	25	2:1 interlace	16:9/4:3	PAL:ITU-R BT.470	SMPTE 259M	CEA-861
480/60I(NTSC) * <sup>3</sup>	525	483	30	2:1 interlace	16:9/4:3	NTSC:SMPTE 170M	SMPTE 259M	CEA-861
576/50P	625	576	50	Progressive	16:9/4:3	–	–	CEA-861
480/60P * <sup>3</sup>	525	483	60	Progressive	16:9/4:3	–	–	CEA-861
640 × 480/60P * <sup>3</sup>	525	480	60	Progressive	4:3	–	–	CEA-861
1080/24PsF * <sup>1</sup> * <sup>3</sup>	1125	1080	24	Progressive(sF)	16:9	–	SMPTE RP211	–
1080/25PsF * <sup>2</sup>	1125	1080	25	Progressive(sF)	16:9	–	SMPTE RP211	–
1080/24P * <sup>3</sup>	1125	1080	24	Progressive	16:9	–	SMPTE 274M	CEA-861
1080/25P	1125	1080	25	Progressive	16:9	–	SMPTE 274M	CEA-861
1080/30P * <sup>3</sup>	1125	1080	30	Progressive	16:9	–	SMPTE 274M	CEA-861
1080/50I	1125	1080	25	2:1 interlace	16:9	–	SMPTE 274M	CEA-861
1080/60I * <sup>3</sup>	1125	1080	30	2:1 interlace	16:9	–	SMPTE 274M	CEA-861
720/50P	750	720	50	Progressive	16:9	–	SMPTE 296M	CEA-861
720/60P * <sup>3</sup>	750	720	60	Progressive	16:9	–	SMPTE 296M	CEA-861
1080/50P * <sup>4</sup>	1125	1080	50	Progressive	16:9	–	SMPTE 274M	CEA-861
1080/60P * <sup>3</sup> * <sup>4</sup>	1125	1080	60	Progressive	16:9	–	SMPTE 274M	CEA-861

\*1 The format on the screen is displayed as 1080/48I.

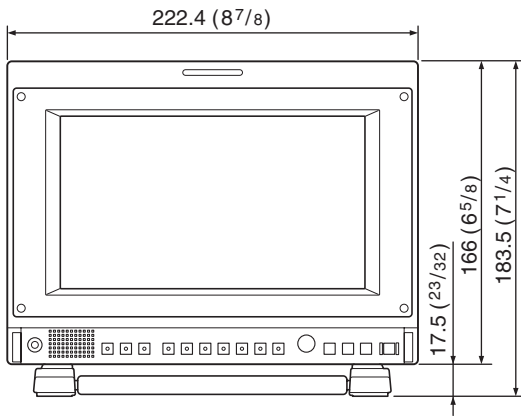
\*2 The format on the screen is displayed as 1080/50I.

\*3 The frame rate is also compatible with 1/1.001.

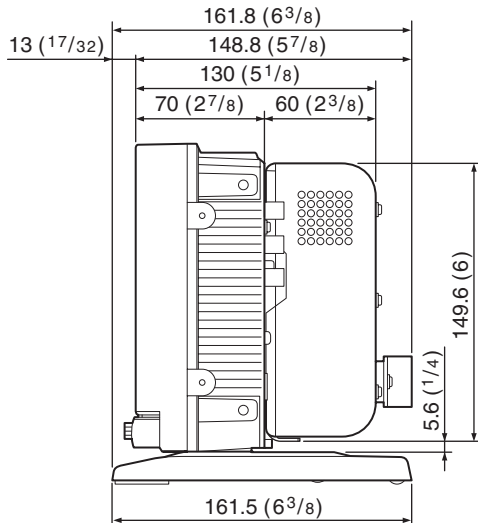
\*4 The format is compatible with 4:2:2 YCbCr 10-bit of 3G-SDI.

# Dimensions

## Front

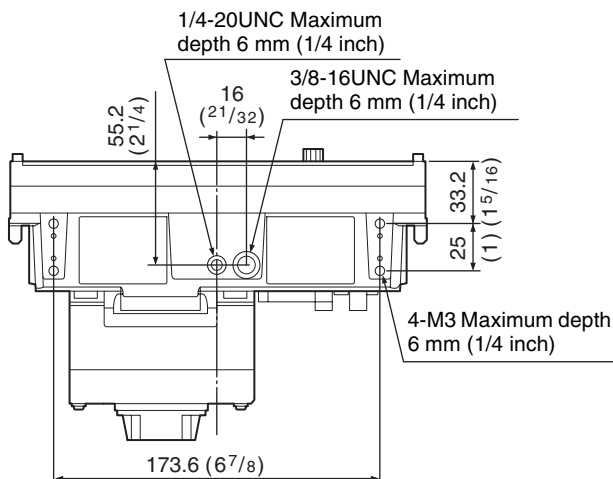


## Side

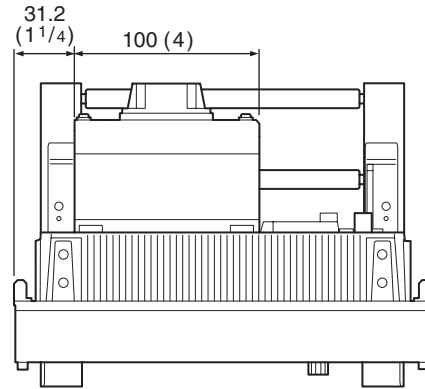


## Bottom

(Without the stand)

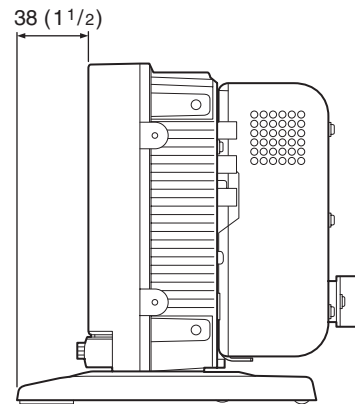


## Top



## Side

(When setting the stand using positions B and C for the mounting screws)



Unit: mm (inches)

