

# **UNITE AP4**

## **ACCESS POINT**

INSTALLATION INSTRUCTIONS  
MONTAGEANLEITUNG



## Table of Contents

1. Safety instructions	6
2. Supplied accessories	8
3. Application	8
4. Connections and elements	9
5. Use10	
6. Installation	10
6.1 Mounting to a wall/ceiling	11
6.2 Mounting on a stand	13
6.3 Mounting on a VESA adapter plate	15
6.4 Use a secondary safety rope	17
7. How to use several Unite AP	17
8. Technical specifications	18
Pin assignment	20
Pinout RJ45	20
Network build-up	21
Dimensions	38
Polar Pattern Antennas	43

## Inhaltsverzeichnis

1. Sicherheitsinformationen	22
2. Lieferumfang	24
3. Verwendung	24
4. Anschlüsse und Elemente	25
5. Inbetriebnahme	26
6. Montage	26
6.1 Montage an Wand/Decke	27
6.2 Montage auf einem Stativ	29
6.3 Montage auf VESA-Adapterplatte	31
6.4 Sekundärsicherung (Sicherungsleine) verwenden	33
7. Mehrere Unite AP4 einsetzen	33
8. Technische Daten	34
Anschlussbelegung	36
Anschlussbelegung RJ45	36
Netzwerkaufbau	37
Abmessungen	38
Richtcharakteristik Antennen	43

This device complies with Part 15 of the FCC Rules and with Industry Canada licence-exempt RSS standard(s). Operation is subject to the following two conditions: (1) this device may not cause harmful interference, and (2) this device must accept any interference received, including interference that may cause undesired operation.

Le présent appareil est conforme aux CNR d'Industrie Canada applicables aux appareils radio exempts de licence. L'exploitation est autorisée aux deux conditions suivantes: (1) l'appareil ne doit pas produire de brouillage, et (2) l'utilisateur de l'appareil doit accepter tout brouillage radioélectrique subi, même si le brouillage est susceptible d'en compromettre le fonctionnement.

This equipment has been tested and found to comply with the limits for a Class A digital device, pursuant to Part 15 of the FCC Rules. These limits are designed to provide reasonable protection against harmful interference when the equipment is operated in a commercial environment. This equipment generates, uses, and can radiate radio frequency energy and, if not installed and used in accordance with the instruction manual, may cause harmful interference to radio communications. Operation of this equipment in a residential area is likely to cause harmful interference in which case the user will be required to correct the interference at his own expense.

Changes or modifications made to this equipment not expressly approved by Beyerdynamic may void the FCC authorization to operate this equipment.

#### Radiofrequency radiation exposure Information:

For body worn operation, this equipment has been tested and meets the FCC RF exposure guidelines when used with the Beyerdynamic accessories supplied or designated for this product. Use of other accessories may not ensure compliance with FCC RF exposure guidelines.





Este produto está homologado pela Anatel, de acordo com os procedimentos regulamentados pela Resolução n.º 242/2000 e atende aos requisitos técnicos aplicados, incluindo os limites de exposição da Taxa de Absorção Específica referente a campos elétricos, magnéticos e eletromagnéticos de radiofrequência de acordo com as Resoluções n.º 303/2002 e 533/2009.

#### Japanese Radio Law and Japanese Telecommunications Business Law Compliance:

This device is granted pursuant to the Japanese Radio Law (電波法) and the Japanese Telecommunications Business Law (電気通信事業法).

This device should not be modified (otherwise the granted designation number will become invalid).

**Compliance Information**

Country	Approval
USA	 FCC ID: OSDUNITEAP4
Canada	IC: 3628C-UNITEAP4
Europe	The devices conforms to the EU guidelines (EMC) 2014/30/EU (LVD) 2014/35/EU (RED) 2014/53/EU as attested by the CE mark.  
Japan	 <div style="display: inline-block; vertical-align: middle; margin-left: 20px;"> <span style="border: 1px solid black; padding: 2px;">R</span> 202-SMH013  <span style="border: 1px solid black; padding: 2px;">T</span> D 19-0007 202                     </div>

The Unite AP4 access point has been designed for the wireless Unite communication system from beyerdynamic. For detailed descriptions of its use, please refer to the operating instructions for the complete system, which can be downloaded from the internet at [www.beyerdynamic.com/unite](http://www.beyerdynamic.com/unite).

## **1. Safety instructions**

1. Read these instructions.
2. Keep these instructions.
3. Heed all warnings.
4. Follow all instructions.
5. Do not use this device near water.
6. Clean only with a dry cloth.
7. Do not install near any heat sources such as radiators, heat registers, stoves, or other apparatus (including amplifiers) that produce heat.
8. Do not modify the power plug of the supplied power cable.
9. Protect the power cable from being pinched or bent.
10. Only use accessories specified by the manufacturer.
11. Unplug this apparatus during lightning storms or when unused for long periods of time.
12. Refer all servicing to qualified service personnel. Servicing is required when the apparatus has been damaged in any way, such as power supply cord or plug is damaged, liquid has been spilled or objects have fallen into the apparatus, the apparatus has been exposed to rain or moisture, does not operate normally, or has been dropped.

### **Disclaimer**

- beyerdynamic GmbH & Co. KG will not be liable if any damage, injury or accident occurs due to negligent, incorrect or inappropriate operation of the product.

### **Location**

- If you transport the equipment to another location take care to ensure that it is adequately secured and can never be damaged by being dropped or by impacts on the equipment.

### **Fire hazard**

- Never place naked flames (e.g. candles) near the equipment.

### **Humidity / heat sources**

- Never expose the equipment to rain or a high level of humidity. For this reason do not install it in the immediate vicinity of swimming pools, showers, damp basement rooms or other areas with unusually high atmospheric humidity.
- Never place objects containing liquid (e.g. vases or drinking glasses) on the equipment. Liquids in the equipment could cause a short circuit.
- Do not install near any heat sources such as radiators, heat registers, stoves or other apparatus (including amplifiers) that produce heat.

### **Connection**

- Protect all cables from being walked on or pinched.
- Lay all connection cables so that they do not present a trip hazard.
- Whenever working on the inputs and outputs of the equipment switch off power.

- Check whether the connection figures comply with the existing mains supply. Serious damage could occur due to connecting the system to the wrong power supply. An incorrect mains voltage could damage the equipment or cause an electric shock.
- Please note that different operating voltages require the use of different types of power cable and plugs.

Please refer to the following table:

Voltage	Power plug according to standard
110 to 125 V	UL817 and CSA C 22.2 no 42.
220 to 230 V	CEE 7 page VII, SR section 107-2-D1/IEC 83 page C4.
240 V	BS 1363 (1984): "Specification for 13A fused plugs and switched and un-switched socket outlets."

- If the equipment causes a blown fuse or a short circuit, disconnect it from the mains and have it checked and repaired.
- Do not hold the power supply with wet hands. There must be no water or dust on the contact pins. In both cases you could receive an electric shock.
- The mains cable must be firmly connected. If it is loose there is a fire hazard.
- Always pull out the power supply from the mains and/or from the equipment by the plug – never by the cable. The cable could be damaged and cause an electric shock or fire.
- Do not use the equipment if the power supply is damaged.
- If you connect defective or unsuitable accessories, the equipment could be damaged. Only use connection cables available from or recommended by beyerdynamic. If you use cables you have made up yourself, all claim to warranty is null and void.
- In order to switch off the device disconnect the power plug from the power socket.

### Disconnect

- For pluggable equipment, the socket-outlet shall be near the equipment and shall be easily accessible.

### Wall/ceiling mounting

- Before mounting the Unite AP4 to the wall/ceiling, make sure that there are no electrical, or gas lines or water pipes behind the planned drilling locations. If necessary, check this with a line detector or ask an expert.

It is a significant hazard when electrical or gas lines or water pipes are damaged during drilling.

### Maintenance

- Only clean the device with a slightly damp or dry cloth. Never use solvents as these damage the surface.

### Trouble shooting / servicing

- Do not open the device without authorisation.
- Leave all service work to authorised expert personnel.

### Switching off

- The device does not have a separate on-off switch. To turn power off, unplug the power cable from the AC/DC outlet. Make sure that you do not pull on the cable, but on the mains plug.

### Ventilation

- Do not insert objects into the ventilation and other openings. You could damage the device and/or injure yourself.

### Measures to prevent damage

- Do not disassemble or make any changes to the device.
- Do not transport the device while it is mounted on a tripod as this may result in injury or accidents. Make sure that the tripod is solid enough to hold the device.
- Do not drop the unit and do not expose it to strong physical stress such as shock or vibration.

### Disposal

This symbol on the product, in the instructions or on the packaging means that your electrical and electronic equipment should be disposed at the end of its life separately from your household waste. There are separate collection systems for recycling in the EU. For more information, please contact the local authority or your retailer where you purchased the product.



### Simplified EU declaration of conformity

beyerdynamic hereby declares that the wireless transmission device complies with the EU Directive 2014/53/EU (RED). The complete text of the EU declaration of conformity is available online at the following address: <http://www.beyerdynamic.com/cod>

### Trademark

The Dante® word mark and logos are registered trademarks of Audinate Pty. Ltd and all use of these trademarks by beyerdynamic is licensed. Other trademarks and trade names are the property of the respective owners.

## 2. Supplied accessories

- |                                   |  |
|-----------------------------------|--|
| 1x Unite AP4                      | 2x Phoenix® plug-in terminal block, 2-row, |
| 1x Installation instructions      | 6-pin, contact spacing 3.5 mm              |
| 1x Power supply with power cable, | 4x Cover plates for mounting panel         |
| depending on the country variant  | 4x M5x10 screws (for Vesa adapter plate)   |
| 1x Thread adapter 1/2" – 3/8"     | 4x M5 nut (for Vesa adapter plate)         |

## 3. Application

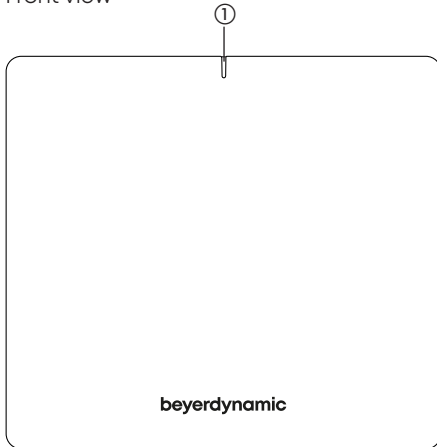
The Unite AP4 access point is a multifunctional device with which you can implement different applications. The device is integrated into an existing network via an Ethernet cable. Depending on the configuration via the separate Unite Manager Software (operating instructions at [www.beyerdynamic.com](http://www.beyerdynamic.com)), the device works as a transmitter, receiver or transceiver.

For each device there are a maximum of 4 DECT channels available. As 8 Unite AP4 devices can be connected to each other, a maximum of 32 DECT-channels can be implemented.

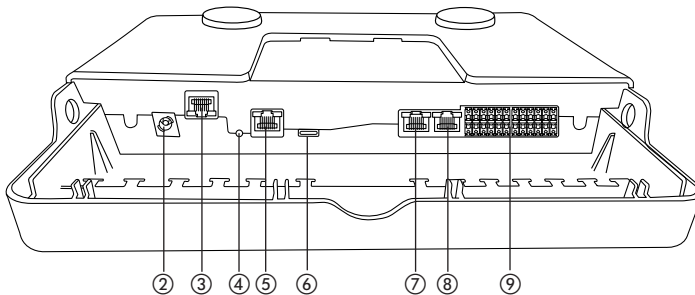


## 4. Connections and elements

Front view



Rear view



- ① Status LED
- ② DC connection for the external, supplied power supply, 12 V DC / 3 A  
**Important:** Use only the power supply supplied by beyerdynamic.
- ③ Dante® network connection with Power over Ethernet (PoE) function, RJ-45-socket
- ④ Reset button to restore the factory settings
- ⑤ LAN connection for configuration via the Unite Manager Software, RJ-45-socket
- ⑥ USB connection
- ⑦ Sync signal input to cascade several Unite AP4, RJ-45-socket  
**Attention: No Ethernet connection!**
- ⑧ Sync signal output to cascade several Unite AP4, RJ-45-socket  
**Attention: No Ethernet connection!**
- ⑨ Audio inputs/outputs, channel 1 - 4, Phoenix®-terminal block socket for use with supplied Phoenix terminal blocks, contact spacing 3.5 mm

## 5. Use

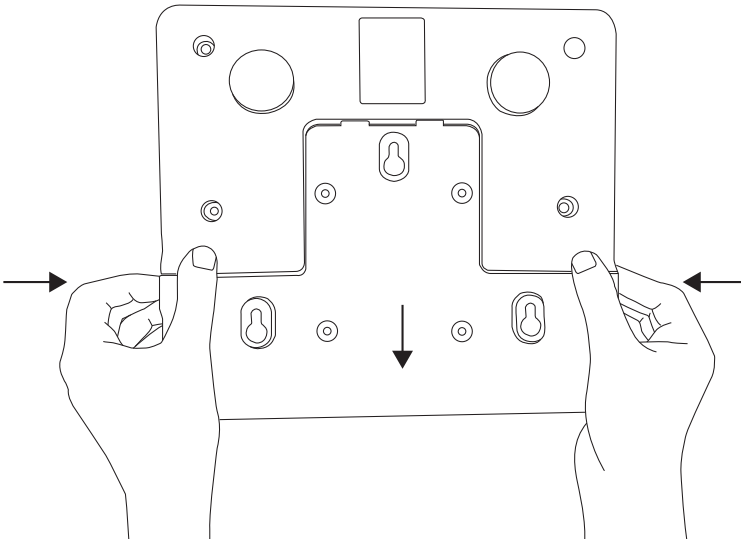
You will find a detailed description of the use/configuration of the Unite AP4 in the separate manuals “Unite System Manual” and “Unite Manager Software”.

## 6. Installation

In order to ensure that the Unite receivers receive radio signals as good as possible, make sure that the front of the Unite AP4 unit points to the area where the Unite receivers will be operating. If reception problems occur, change the mounting position of the Unite AP4 in the room. Make sure that there is a line of sight between the Unite AP4 and the receivers. This can improve reception.

In order to install the Unite AP4 and to connect the cable, you must remove the mounting plate from the housing first. Please proceed as follows:

- Press the latches on the right and left hand side inwards.
- Remove the mounting panel downwards, refer also to the arrow in the drawing.



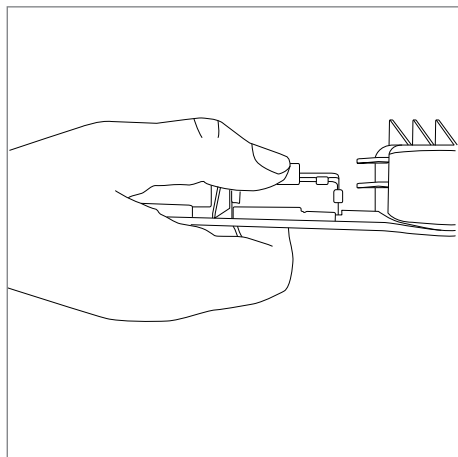
## 6.1 Mounting to a wall/ceiling

### Caution:

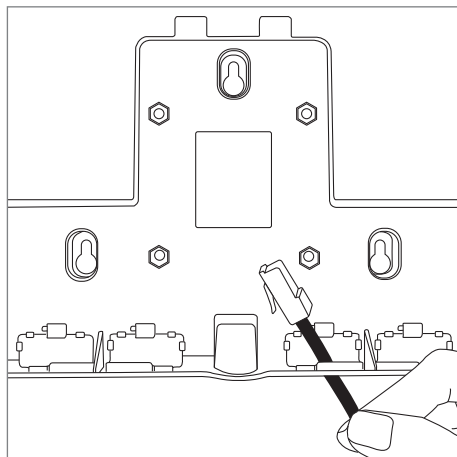
- Before mounting the Unite AP4 to the wall/ceiling, make sure that there are no electrical, or gas lines or water pipes behind the planned drilling locations. If necessary, check this with a line detector or ask an expert.
- It is a significant hazard when electrical or gas lines or water pipes are damaged during drilling.

### Attention:

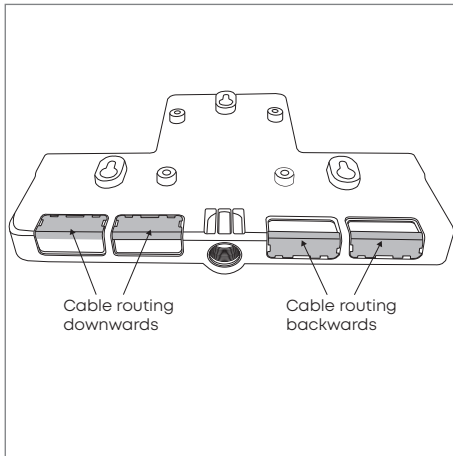
- For wall mounting, use appropriate wall plugs and screws.  
Example: For a wooden wall use a universal screw, 4,5 x 30mm, pan head, e.g. WIROX®-0201010450303



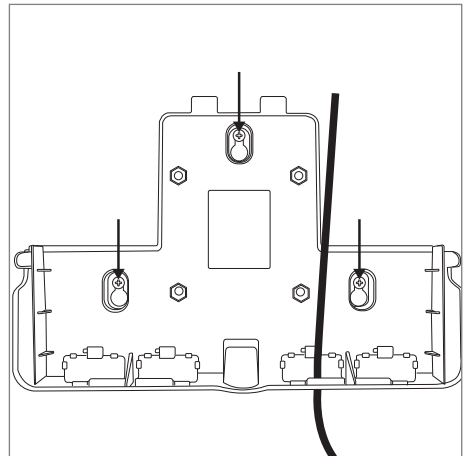
1. Remove the cover plates from the mounting panel by pressing the large latch.



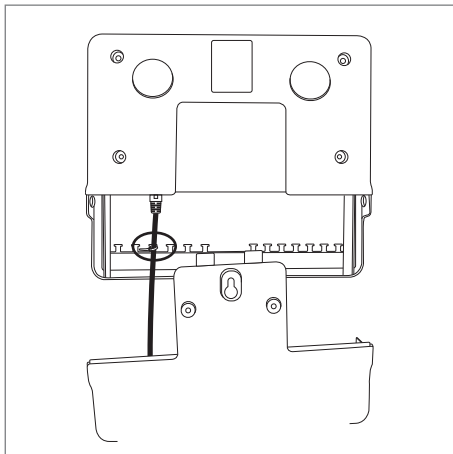
2. Route all required connecting cables through the openings of the mounting panel.



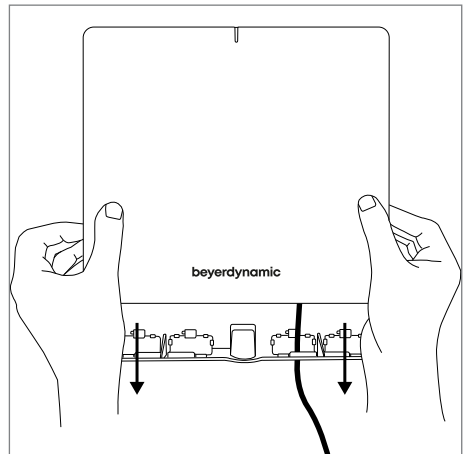
3. Mount the cover plates to the mounting panel according to the cable routing.



4. Mount the mounting panel to the wall or ceiling by using the three "keyhole openings" with appropriate screws.

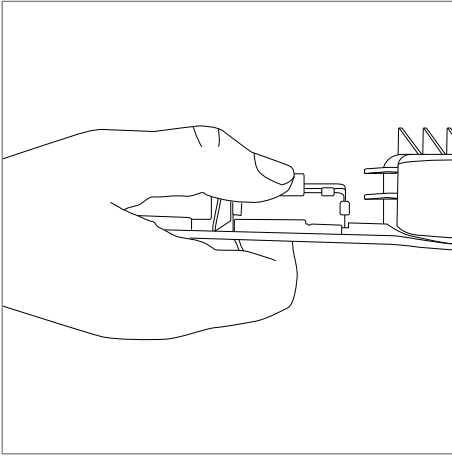


5. Connect the cables to the appropriate connections.  
Attach the cable with a cable tie to the T-piece below the connection.

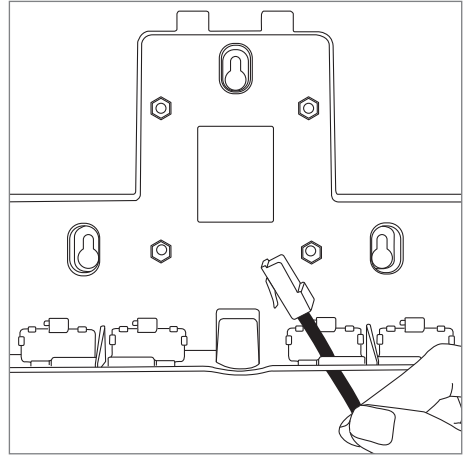


6. Put the device onto the mounting panel until the latches on the right and left hand side audibly click into place. Refer also to the installation instructions on the mounting panel.  
**Attention:** Please make sure that the device is firmly mounted.

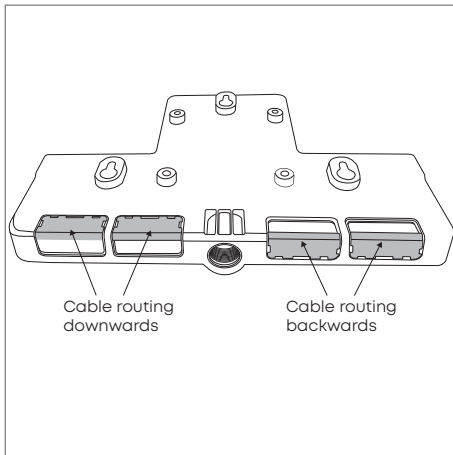
## 6.2 Mounting on a stand



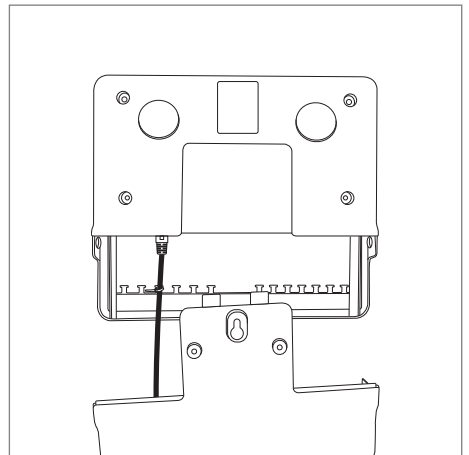
1. Press the cover plates on the large latch from the mounting panel.



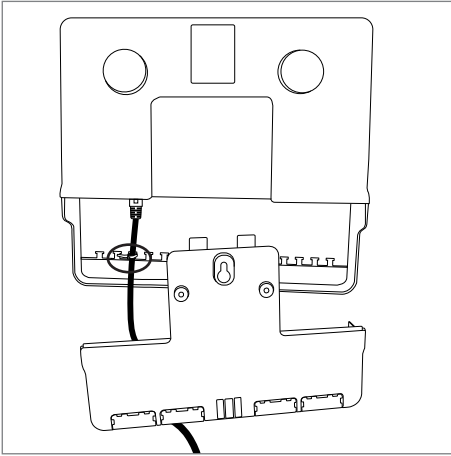
2. Route all required connecting cables through the openings of the mounting panel.



3. Attach the cover plates to the mounting panel according to the downward cable routing.

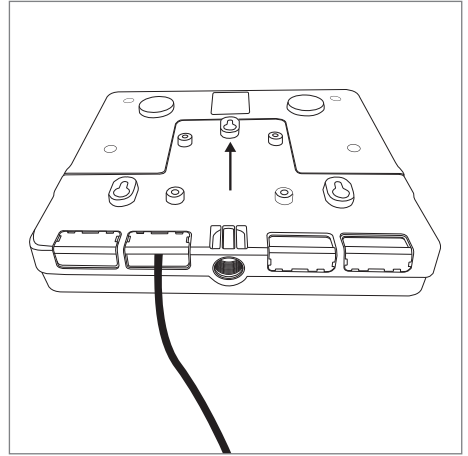


4. Connect the cables to the appropriate connections.

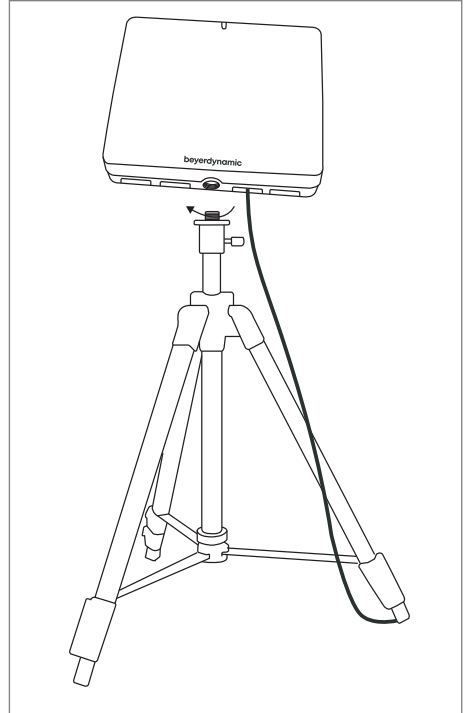


5. Attach the cable with a cable tie to the T-piece below the connection.

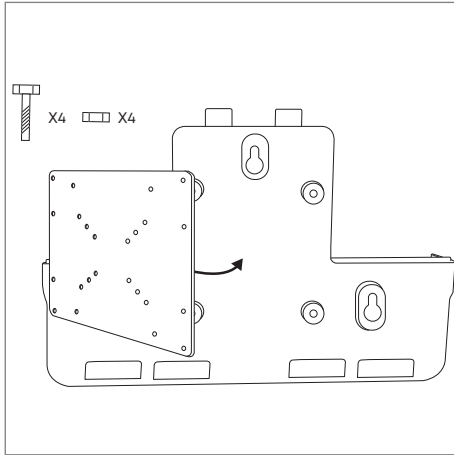
7. Mount the Unite AP4 on the thread of a tripod with 5/8 thread.  
For tripods with a 1/2" or 3/8 thread, delivery includes an appropriate adapter.  
Upon request, you can screw this adapter into the 5/8 thread with a flat-head screwdriver..



6. Replace the mounting panel until the latches on the right and left hand side audibly click into place.

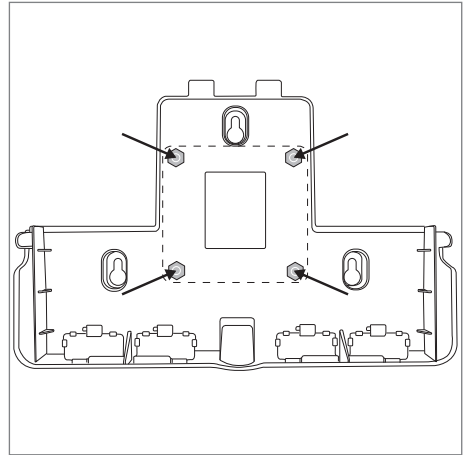


### 6.3 Mounting on a VESA adapter plate

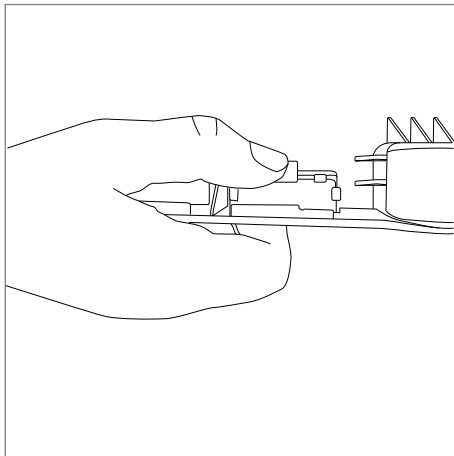


1. Attach a VESA 75 x 75 plate with 4 screws (included in the delivery) via the 4 holes to the mounting panel. The distances between the 4 holes are 75 mm each.

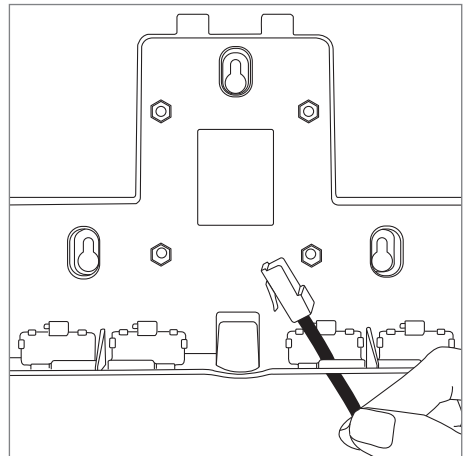
**Attention:** When selecting the screws, make sure that the screw is **flush** with the nut and **does not** protrude into the device.



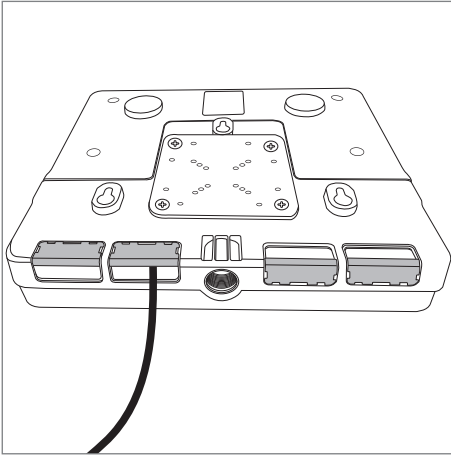
2. Fasten the 4 screws on the inside of the mounting panel with hex nuts. Size of the nut: M5



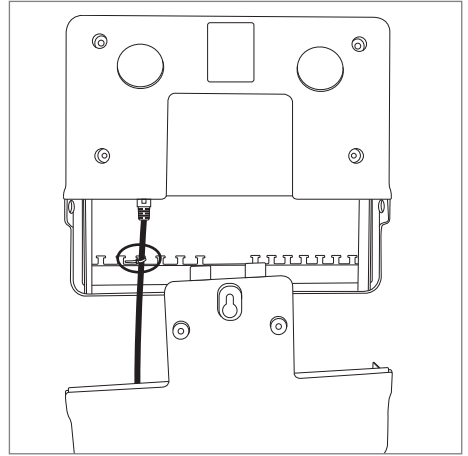
3. Remove the cover plates from the mounting panel by pressing the large latch.



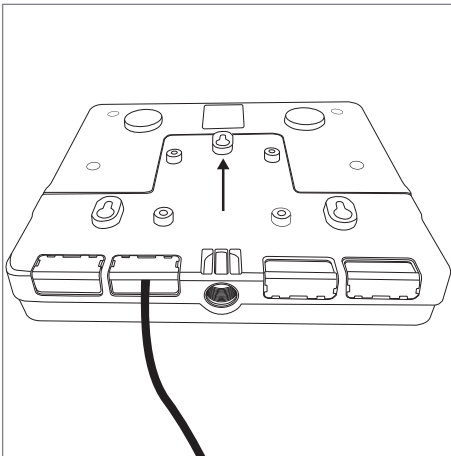
4. Route all required connecting cables through the openings of the mounting panel.



5. Mount the cover plates to the mounting panel according to the cable routing downwards.



6. Connect the cables to the appropriate connections.  
Attach the cable with a cable tie to the T-piece below the connection.



7. Replace the mounting panel until the latches on the right and left hand side audibly click into place.  
Attach the Unite AP4 to the desired place via the VESA plate.  
**Attention:** Make sure that the device is firmly mounted.



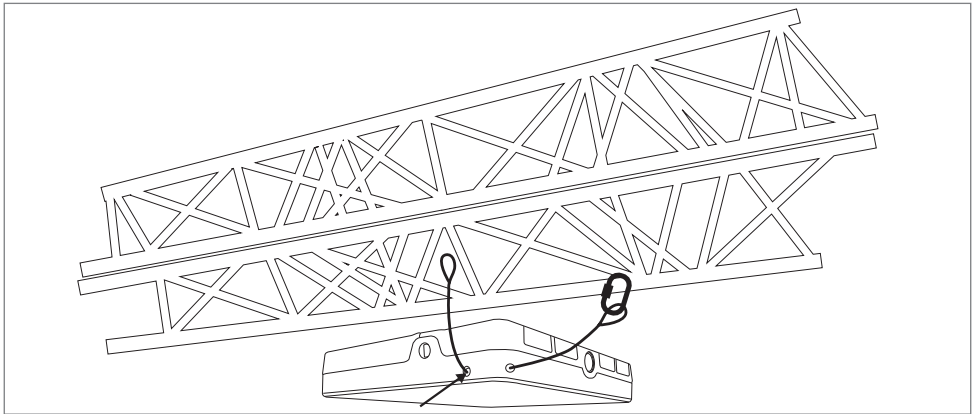
### 6.4 Use a secondary safety rope

The Unite AP4 has two openings through which you can route a secondary safety rope to secure the Unite AP4 additionally against falling down.

*In practice, it is the quality of the way in which the equipment is installed that influences the safety of suspension systems for lighting, PAs, monitors, decorations and other objects in the production and event business which are installed using fixing devices intended to allow the equipment to be used in different places (e.g. spigots and sleeves or C hooks). Such applications thus require a secondary safety component.*

(Source: DGUV Safety for Events and Productions Version 3.2/2015-10)

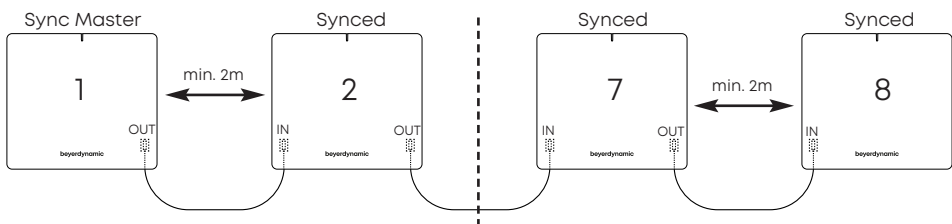
For the preferred direction of threading, refer to the arrow in the drawing.



## 7. How to use several Unite AP

A maximum of 8 Unite AP4 can be connected with each other so that 32 channels can be sent, received or sent and received – depending on the configuration.

- To synchronise the devices, connect the sync signal output ⑧ of the first Unite AP4 to the sync signal input ⑨ of the second Unite AP4. Use **Cat 5e AWG 24/1 F/UTP** cables or better. The assignment must be 1:1.
- Connect the Sync signal output ⑧ of the second Unite AP4 to the Sync signal input ⑨ of the third Unite AP4 etc.
- The first device acts as Sync Master so that each subsequent device receives a clock signal from the Sync Master. In this way the individual DECT channels of the devices are clocked. When using more than one Unite AP4 the synchronisation is absolutely necessary to ensure the operation.



**Attention:**

- If several Unite AP4 are used in one room, a minimum distance of 2 m must be maintained between the individual units to avoid radio disturbances. The cable length between two devices must not exceed 100 m. The total length of all Sync cables used to connect the Unite AP4 devices to each other **must not exceed 700 m**.

**8. Technical specifications****External power supply**

Input voltage .....	100 – 240 V AC, 47-63 Hz
Input current .....	max. 0,8 A
Output voltage .....	12 V DC
Output current .....	3 A
Power cable .....	included, depending on the region
Cable length .....	2 m [2.19 yds.]

**Unite AP4**

DECT RF frequency range .....	1880 - 1930 MHz, depending on the country
DECT transmission power .....	up to 250 mW (peak), depending on the country
DECT operating range .....	up to 300 m outside (line of sight); the actual operating range depends upon the RF output settings, the surroundings, the signal absorption, signal reflection and signal interference
RF coverage .....	up to 10,000 m <sup>2</sup> ; the actual coverage depends upon the RF output settings, the surroundings, the signal absorption, signal reflection and signal interference
Audio bandwidth	
High quality (HD) .....	50 Hz - 14 kHz (-3 dB)
Operating mode .....	Broadcast (4 channels)
Encryption .....	AES-256 bit encryption
Antenna .....	Diversity, internal
Polar pattern of antennas .....	two omnidirectional antennas with front-facing main lobe
Minimum distance between several Unite AP4 devices .....	2 m [2.19 yds.]
Connections .....	<ul style="list-style-type: none"> <li>• Ethernet (RJ 45)</li> <li>• USB-C (currently not implemented)</li> <li>• DC input, DC 12 V, power consumption max. 12 W</li> <li>• Sync input (RJ 45)</li> <li>• Sync output (RJ 45)</li> <li>• Digital: Dante® (RJ 45; PoE: 12 W IEEE 802.3af-2003, 36 V - 57 V, only 48 kHz sample rate supported)</li> <li>• Analogue: Phoenix® socket, balanced, contact spacing 3.5 mm [0.14"], two-rowed, 6-pin, balanced and shielded connecting cables required Input level (4-channel In): max. +7 dBu Input level for 0 dBFS @ 0 dB Gain: +5 dBu</li> </ul>

Required cable features for RJ 45 Ethernet, Dante® and Sync connectors

- Cable type..... Cat 5e AWG 24/1 F/UTP, shielded, assignment 1:1
- Cable length for Ethernet,  
Dante® and Sync..... 100 m [109 yds.]
- Total length of all Sync cables ... max. 700 m [766 yds.]

Reset button..... to restore the factory settings (network, audio, DECT)

Network default ..... DHCP (IP)

Indicator ..... Status LED

Mounting for Vesa mount..... 75 x 75 mm [2.95" x 2.95"]

Mounting holes for

secondary safety rope..... available (safety rope not included in the delivery)

Temperature range

Operation..... 0 to +40 °C [32 to 104 °F]

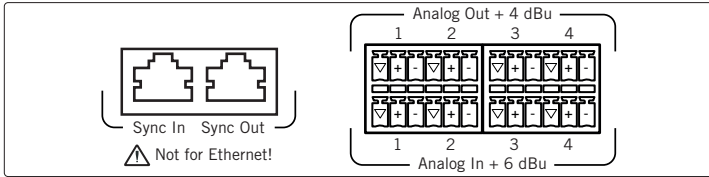
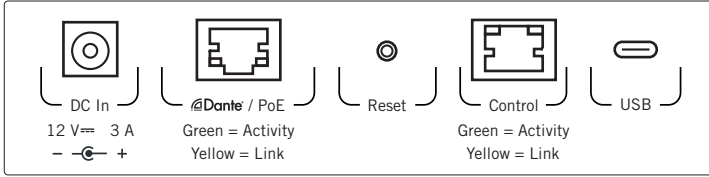
Storage ..... -20 to +50 °C [-4 to 122 °F]

Relative humidity ..... 0 to 90%

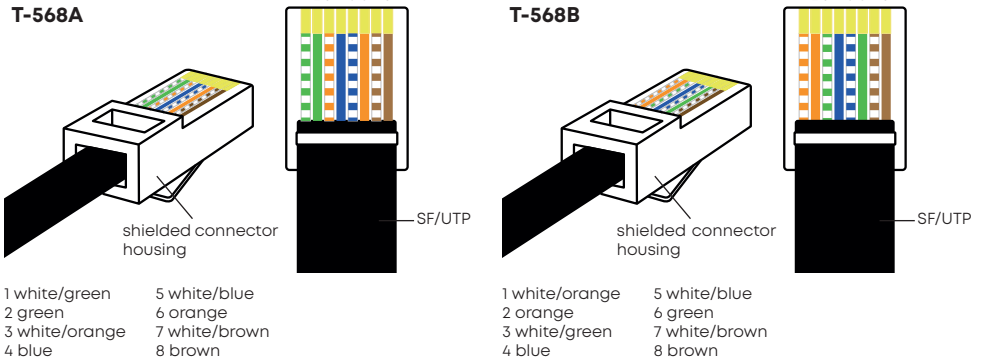
Dimensions (L x W x H)..... 260 x 252 x 48 mm [10.2" x 9.92" x 1.89"]

Weight..... 860 g [30.34 oz.]

### Pin assignment



### Pinout RJ45



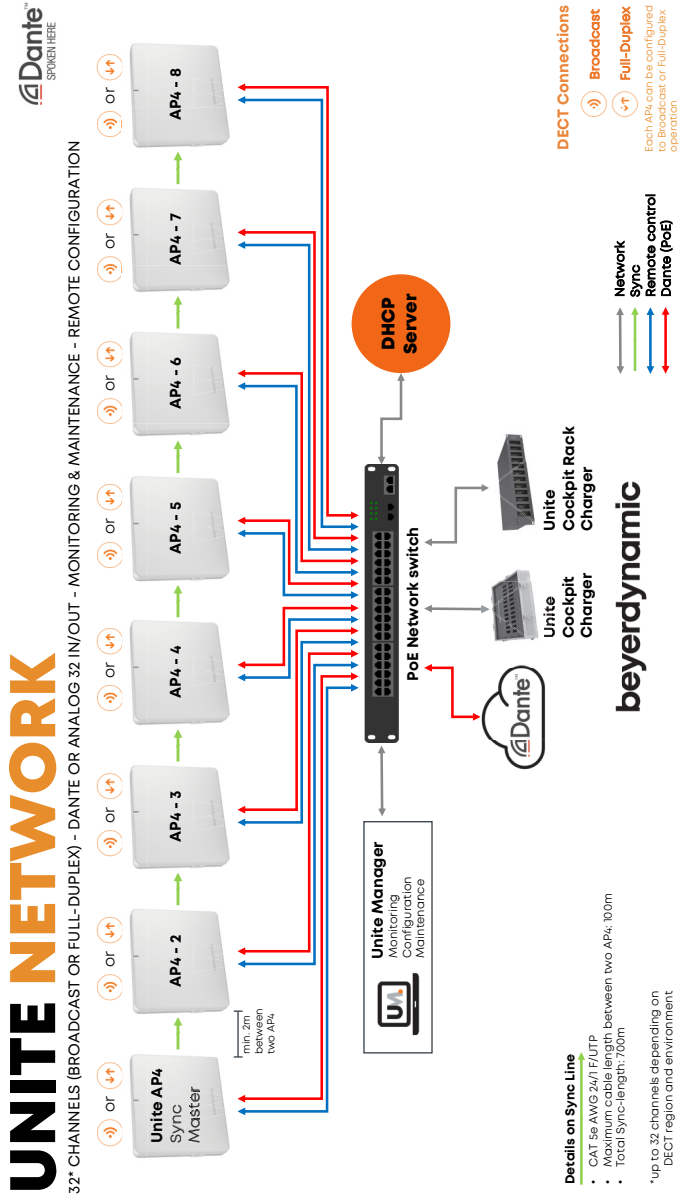
### Important:

Please use shielded connector housings. Twist the shield of the cable and fold it backwards so that a connection between the shield of the cable and the connector housing is created when crimping the strain relief of the cable.

Use either the T-568A or T-568B pin assignment for both cable ends. Do not use both pin assignments for one cable.

### Network build-up

The configuration of one or more Unite AP4 is performed via the free Unite Manager Software: <https://global.beyerdynamic.com/unite-manager.html>



Der Access Point Unite AP4 ist für das Drahtlos-System Unite von beyerdynamic vorgesehen. Detaillierte Beschreibungen zum Gebrauch entnehmen Sie bitte der Bedienungsanleitung des Gesamtsystems, welche Sie im Internet unter [www.beyerdynamic.com/unite](http://www.beyerdynamic.com/unite) herunterladen können.

## **1. Sicherheitsinformationen**

1. Bitte lesen Sie diese Anweisungen.
2. Bitte bewahren Sie diese Anweisungen auf.
3. Bitte beachten Sie alle Warnhinweise.
4. Folgen Sie allen Anweisungen.
5. Verwenden Sie dieses Gerät nicht in der Nähe von Wasser.
6. Reinigen Sie das Gerät nur mit einem trockenen Tuch.
7. Montieren Sie das Gerät nicht neben Hitzequellen wie Heizkörpern, Wärmespeichern, Öfen oder anderen Geräten (auch Leistungsverstärkern), die Hitze abstrahlen.
8. Nehmen Sie keine Veränderungen am Netzstecker des beigelegten Netzkabels vor.
9. Sichern Sie das Netzkabel gegen Einquetschen oder Abknicken.
10. Verwenden Sie nur das vom Hersteller benannte Zubehör für dieses Gerät.
11. Trennen Sie das Gerät vom Stromnetz, wenn ein Gewitter aufkommt oder wenn Sie es voraussichtlich für längere Zeit nicht verwenden werden.
12. Alle Wartungsarbeiten müssen von hierfür qualifizierten Servicemitarbeitern durchgeführt werden. Eine Wartung ist erforderlich, wenn das Gerät selbst oder dessen Netzkabel beschädigt wurde, Flüssigkeiten oder Gegenstände in das Gerät gelangt sind, das Gerät Regen oder starker Feuchtigkeit ausgesetzt wurde, das Gerät nicht ordnungsgemäß arbeitet oder es heruntergefallen ist.

## **Haftungsausschluss**

- Die Firma beyerdynamic GmbH & Co. KG übernimmt keine Haftung für Schäden am Produkt oder Verletzungen von Personen aufgrund unachtsamer, unsachgemäßer, falscher oder nicht dem vom Hersteller angegebenen Zweck entsprechender Verwendung des Produkts.

## **Standort**

- Wenn Sie das Gerät an einen anderen Ort transportieren, achten Sie darauf, dass es ausreichend gesichert ist und niemand durch ein eventuelles Herunterfallen oder Stoßen am Gerät verletzt werden kann.

## **Brandschutz**

- Stellen Sie niemals offene Brandquellen (z.B. Kerzen) auf das Gerät.

## **Feuchtigkeit / Wärmequellen**

- Setzen Sie das Gerät niemals Regen oder hoher Feuchtigkeit aus. Installieren Sie es daher nicht in unmittelbarer Nähe von Swimming Pools, Duschanlagen, feuchten Kellerräumen oder sonstigen Bereichen mit außergewöhnlich hoher Luftfeuchtigkeit.
- Stellen Sie niemals mit Flüssigkeiten gefüllte Gegenstände (z.B. Vasen oder Trinkgläser) auf das Gerät. Flüssigkeiten in den Geräten können einen Kurzschluss verursachen.
- Installieren und betreiben Sie das Gerät auch niemals in unmittelbarer Nähe von Heizkörpern, Beleuchtungsanlagen oder anderen wärmeerzeugenden Geräten.

## **Anschluss**

- Verlegen Sie alle Kabel stets so, dass sie nicht durch scharfe Gegenstände geknickt oder gar durchgetrennt werden können.

- Verlegen Sie alle Anschlusskabel so, dass niemand darüber stolpern und sich verletzen kann.
- Schalten Sie bei allen Arbeiten an den Ein- und Ausgängen die Stromzufuhr aus.
- Überprüfen Sie, ob die Anschlusswerte mit der vorhandenen Netzstromversorgung übereinstimmen. Bei Anschluss des Systems an die falsche Stromversorgung können ernsthafte Schäden entstehen. Eine falsche Netzspannung kann das Gerät und Netzteil beschädigen oder einen elektrischen Schlag verursachen.
- Beachten Sie, dass für verschiedene Netzspannungen entsprechende Anschlusskabel erforderlich sind.

Siehe hierzu folgende Tabelle:

Spannung	Netzstecker nach Standard
110 bis 125 V	UL817 und CSA C 22.2 Nr. 42.
220 bis 230 V	CEE 7 Seite VII, SR Abschnitt 107-2-D1/IEC 83 Seite C4.
240 V	BS 1363 (1984): "Specification for 13A fused plugs and switched and un-switched socket outlets."

- Wenn durch das Gerät eine Sicherung defekt oder ein Kurzschluss verursacht wurde, nehmen Sie es vom Netz und lassen Sie es überprüfen und reparieren.
- Fassen Sie das Netzteil nicht mit nassen Händen an. An den Kontaktstiften darf sich kein Wasser oder Staub befinden. In beiden Fällen könnten Sie einen elektrischen Schlag erleiden.
- Das Netzkabel muss fest angeschlossen sein. Ist es lose, besteht Brandgefahr.
- Ziehen Sie das Netzteil immer am Stecker vom Netz und/oder vom Gerät - niemals am Kabel. Das Kabel könnte beschädigt werden und einen elektrischen Schlag oder Brand verursachen.
- Setzen Sie das Gerät nicht ein, wenn das Netzteil beschädigt ist.
- Wenn Sie defektes oder ungeeignetes Zubehör anschließen, kann das Gerät beschädigt werden. Verwenden Sie daher nur die von beyerdynamic lieferbaren oder empfohlenen Netzteile.
- Zum Trennen des Gerätes vom Netz ziehen Sie den Netzstecker aus der Netzsteckdose.

### Vom Netz trennen

- Achten Sie darauf, dass die Netzsteckdose sich in der Nähe des Gerätes befindet und leicht zugänglich ist.

### Wand-/Deckenmontage

- Bevor Sie den Unite AP4 an einer Wand/Decke befestigen, achten Sie darauf, dass sich hinter den geplanten Bohrstellen keine Elektro-, Gas- oder Wasserleitungen befinden. Prüfen Sie dies ggf. mit einem Leitungsdetektor oder fragen Sie einen Fachmann. Beim Bohren beschädigte Elektro-, Gas- oder Wasserleitungen stellen eine erhebliche Gefahr dar.

### Reinigung

- Reinigen Sie das Gerät nur mit einem leicht feuchtem oder trockenem Tuch. Verwenden Sie niemals Lösungsmittel, da diese die Oberfläche beschädigen.

### Fehlerbeseitigung / Reparatur

- Öffnen Sie nicht eigenmächtig das Gerät.
- Überlassen Sie alle Servicearbeiten nur autorisiertem Fachpersonal.

### Ausschalten

- Das Gerät hat keinen separaten Ein-/Ausschalter. Wenn Sie das Gerät ausschalten möchten, ziehen Sie den Netzstecker aus der Netzsteckdose. Achten Sie darauf, dass Sie nicht am Kabel ziehen, sondern am Netzstecker.

### Ventilation

- Stecken Sie keine Gegenstände in die Lüftungs- und andere Öffnungen. Sie könnten das Gerät beschädigen und/oder sich verletzen.

### Maßnahmen zur Vermeidung von Schäden

- Nehmen Sie das Gerät nicht auseinander und nehmen Sie keine Änderungen daran vor.
- Transportieren Sie das Gerät nicht, während es auf einem Stativ montiert ist, da dies zu Verletzungen und Unfällen führen kann. Achten Sie darauf, dass das Stativ stabil genug ist, um das Gerät zu tragen.
- Lassen Sie das Gerät nicht fallen und setzen Sie es keinen starken physischen Belastungen wie Stößen oder Vibrationen aus.

### Entsorgung

Dieses Symbol auf dem Produkt, in der Bedienungsanleitung oder auf der Verpackung bedeutet, dass Ihre elektrischen und elektronischen Geräte am Ende ihrer Lebensdauer gesondert vom Hausmüll entsorgt werden sollten. Es gibt getrennte Sammelsysteme für das Recycling in der EU. Für weitere Informationen wenden Sie sich bitte an die örtlichen Behörden oder an den Händler, bei dem Sie das Produkt erworben haben.



### Vereinfachte EU-Konformitätserklärung

Hiermit erklärt beyerdynamic, dass das Funkübertragungsgerät die EU-Richtlinie 2014/53/EU (RED) erfüllt. Der vollständige Text der EU-Konformitätserklärung ist im Internet unter folgender Adresse zu finden: <http://www.beyerdynamic.com/cod>

### Warenzeichen

Die Dante® Wortmarke und Logos sind eingetragene Marken der Firma Audinate Pty. Ltd und jegliche Verwendung dieser Marken durch beyerdynamic ist lizenziert. Andere Marken und Handelsnamen gehören den jeweiligen Inhabern.

## 2. Lieferumfang

1 x Unite AP4	2 x Phoenix® steckbare Reihenklemme, 2-reihig, 6-polig, Rastermaß 3,5 mm
1 x Montageanleitung	4 x Abdeckplättchen für Montageplatte
1 x Netzteil mit Netzkabel, je nach Ländervariante	4 x M5x10 Schraube (für Vesa-Adapterplatte)
1 x Gewindeadapter 1/2" – 3/8"	4 x M5 Mutter (für Vesa-Adapterplatte)

## 3. Verwendung

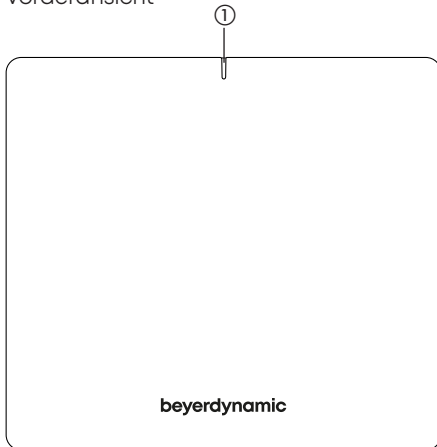
Der Access Point Unite AP4 ist ein Multifunktionsgerät mit dem verschiedene Anwendungen realisiert werden können. Das Gerät wird über ein Ethernetkabel in ein bestehendes Netzwerk eingebunden. Je nach Konfiguration über eine separate Software (Bedienungsanleitung unter [www.beyerdynamic.com](http://www.beyerdynamic.com)) arbeitet das Gerät als Sender, Empfänger oder als Sender/Empfänger (Transceiver).

Pro Gerät stehen max. 4 DECT-Kanäle zur Verfügung. Da 8 Unite AP4 Geräte miteinander verbunden werden können, werden bis zu 32 DECT-Kanäle realisiert.

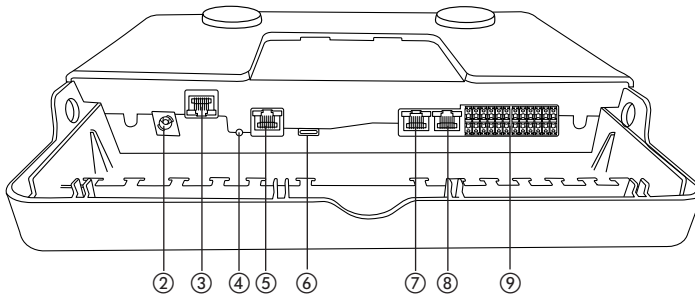


## 4. Anschlüsse und Elemente

Vorderansicht



Rückansicht



- ① Status-LED
- ② DC-Anschluss für externes, beigelegtes Netzteil, 12 V DC / 3 A  
**Wichtig:** Verwenden Sie nur das von beyerdynamic beigelegte Netzteil.
- ③ Dante®-Netzwerkanschluss mit Power over Ethernet (PoE) Funktion, RJ-45-Buchse
- ④ Reset-Taste zum Wiederherstellen der Werkseinstellungen
- ⑤ LAN-Anschluss zur Konfiguration über die Unite Manager Software, RJ-45-Buchse
- ⑥ USB-Anschluss
- ⑦ Sync-Signaleingang zur Kaskadierung mehrerer Unite AP4, RJ-45-Buchse  
**Achtung: Kein Ethernet-Anschluss!**
- ⑧ Sync-Signalausgang zur Kaskadierung mehrerer Unite AP4, RJ-45-Buchse  
**Achtung: Kein Ethernet-Anschluss!**
- ⑨ Audio Ein-/Ausgänge, Kanäle 1 - 4, Phoenix®-Reihenklemmenbuchse zur Verwendung mit beigelegten Phoenix-Reihenklemmen, Rastermaß 3,5 mm

## 5. Inbetriebnahme

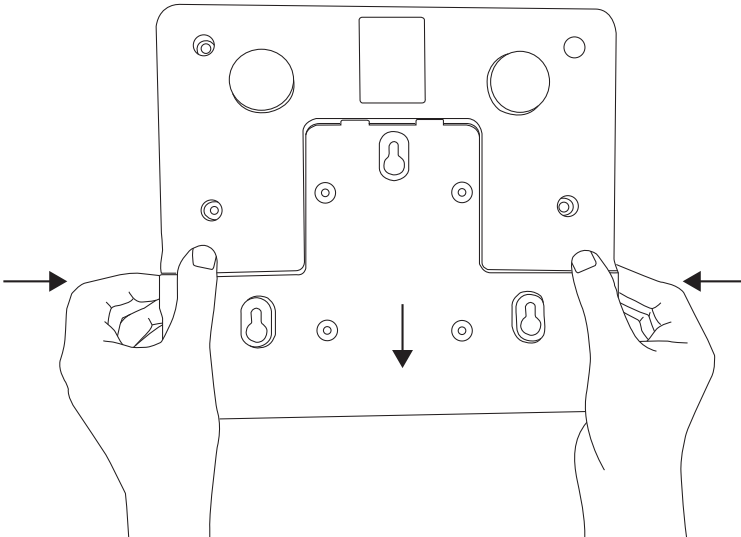
Eine detaillierte Beschreibung der Inbetriebnahme/Konfiguration des Unite AP4 finden Sie in den separaten Anleitungen „Unite Systemanleitung“ und „Unite Manager Software“.

## 6. Montage

Für einen möglichst guten Funkempfang der Unite Empfänger sollten Sie darauf achten, dass die Vorderseite des Unite AP4 Gerätes in den Bereich zeigt, in welchem sich die Unite Empfänger in Betrieb befinden werden. Sollten Sie Empfangsprobleme feststellen, verändern Sie die Montageposition des Unite AP4 im Raum. Achten Sie darauf, dass zwischen Unite AP4 und Empfängern möglichst eine Sichtverbindung bestehen kann. Auf diese Weise kann sich der Empfang verbessern.

Für die Montage des Unite AP4 und zum Anschluss der Kabel müssen Sie zunächst die Montageplatte vom Gehäuse abnehmen. Gehen Sie dabei wie folgt vor:

- Rechts und links die seitlichen Riegel nach innen drücken
- Montageplatte nach unten entnehmen, siehe Pfeilrichtung in Abbildung.



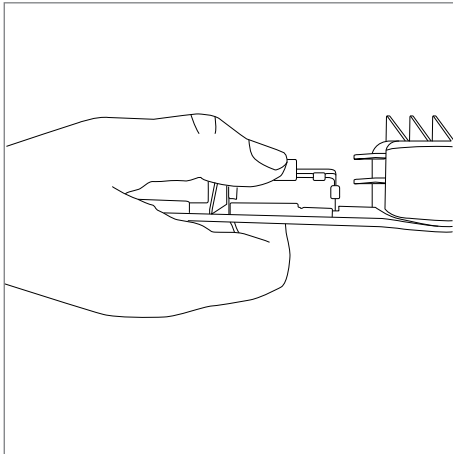
## 6.1 Montage an Wand/Decke

### Vorsicht:

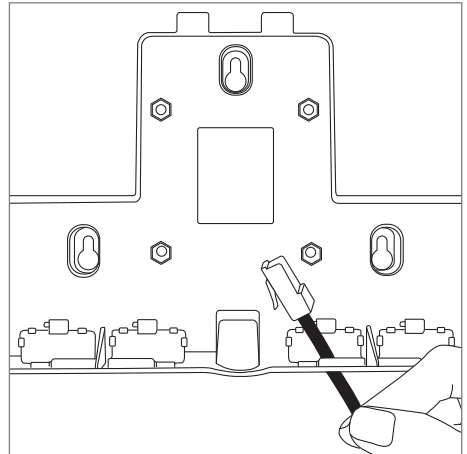
- Bevor Sie den Unite AP4 an einer Wand/Decke befestigen, achten Sie darauf, dass sich hinter den geplanten Bohrstellen keine Elektro-, Gas- oder Wasserleitungen befinden. Prüfen Sie dies ggf. mit einem Leitungsdetektor oder fragen Sie einen Fachmann. Beim Bohren beschädigte Elektro-, Gas- oder Wasserleitungen stellen eine erhebliche Gefahr dar.

### Achtung:

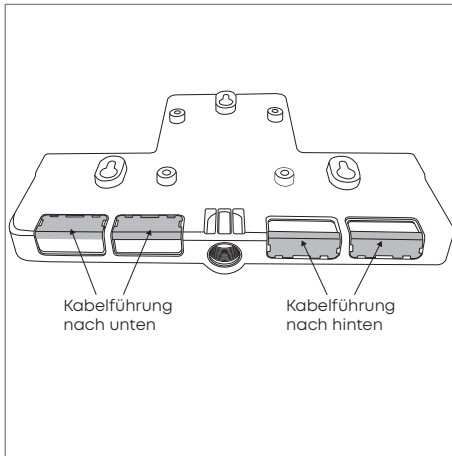
- Benutzen Sie für die Wandmontage die für die Wandbeschaffenheit entsprechenden Dübel und Schrauben.  
Beispiel: Für eine Holzwand verwenden Sie Universalschrauben, 4,5 x 30 mm, Halbrundkopf, z.B. WIROX®-0201010450303



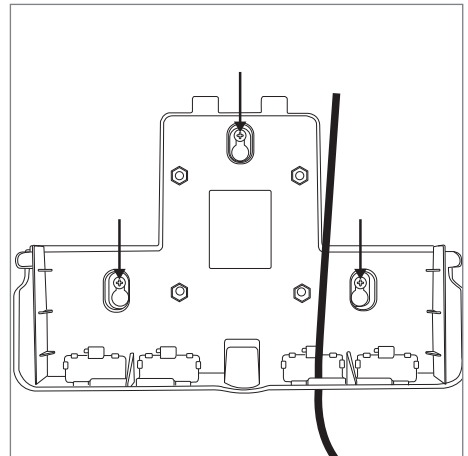
1. Drücken Sie Abdeckplättchen an der großen Rastnase von der Montageplatte heraus.



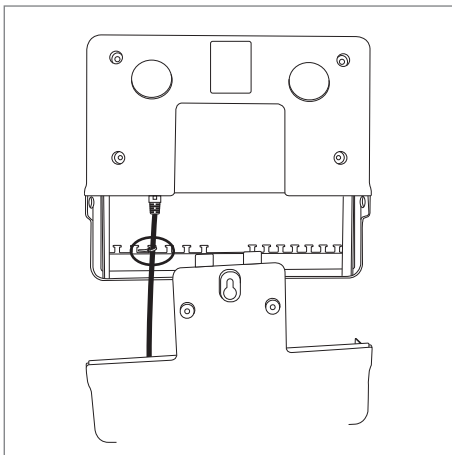
2. Führen Sie alle benötigten Anschlusskabel durch die Öffnungen der Montageplatte.



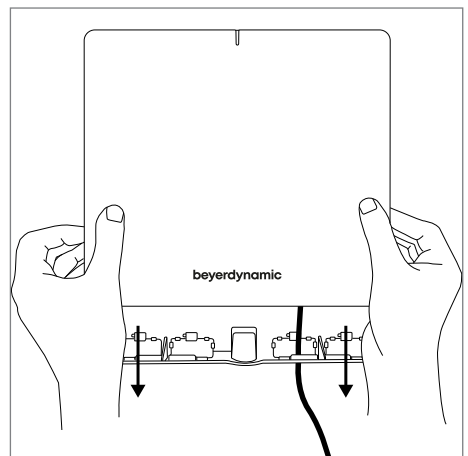
3. Befestigen Sie die Abdeckplättchen entsprechend der Kabelführung nach unten wieder an der Montageplatte.



4. Montageplatte über die drei „Schlüsseloch-Öffnungen“ an Wand oder Decke mit entsprechenden Schrauben befestigen.

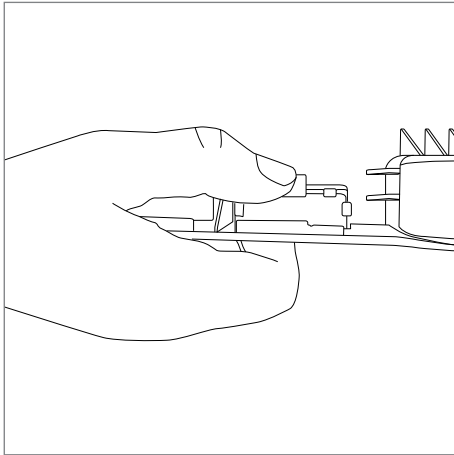


5. Schließen Sie die Kabel an den entsprechenden Anschlüssen an. Fixieren Sie das Kabel mit einem Kabelbinder am T-Stück unterhalb des Anschlusses.

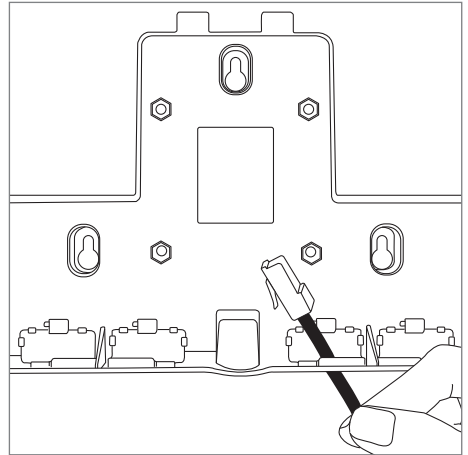


6. Setzen Sie die Montageplatte wieder ein bis die seitlichen Riegel hörbar einrasten. Siehe auch den Montagehinweis auf der Montageplatte.  
**Achtung:** Bitte kontrollieren Sie, ob das Gerät fest montiert ist.

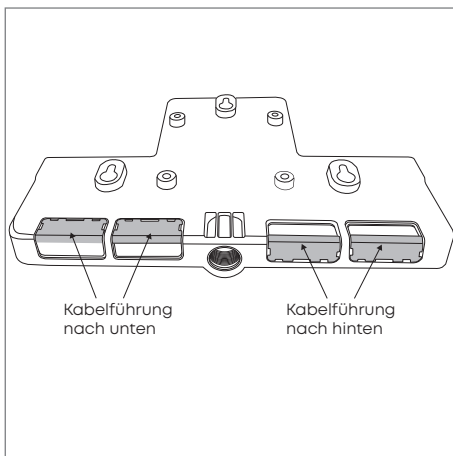
## 6.2 Montage auf einem Stativ



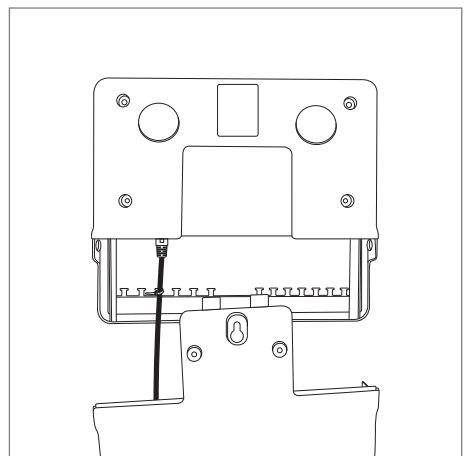
1. Drücken Sie Abdeckplättchen an der großen Rastnase von der Montageplatte heraus.



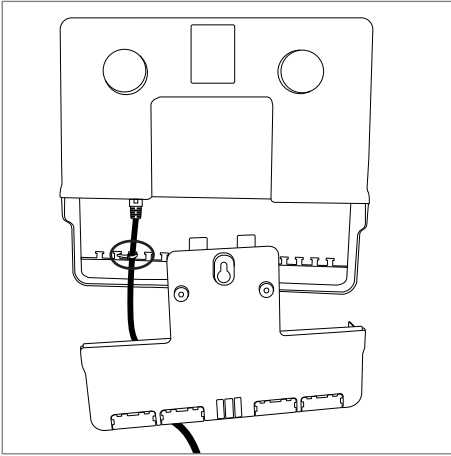
2. Führen Sie alle benötigten Anschlusskabel durch die Öffnungen der Montageplatte.



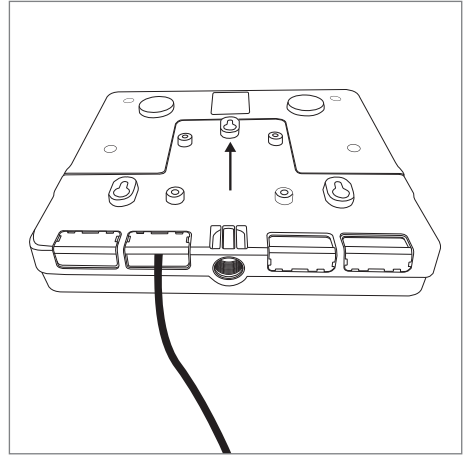
3. Befestigen Sie die Abdeckplättchen entsprechend der Kabelführung nach unten wieder an der Montageplatte.



4. Schließen Sie die Kabel an den entsprechenden Anschlüssen an.



5. Fixieren Sie das Kabel mit einem Kabelbinder am T-Stück unterhalb des Anschlusses.

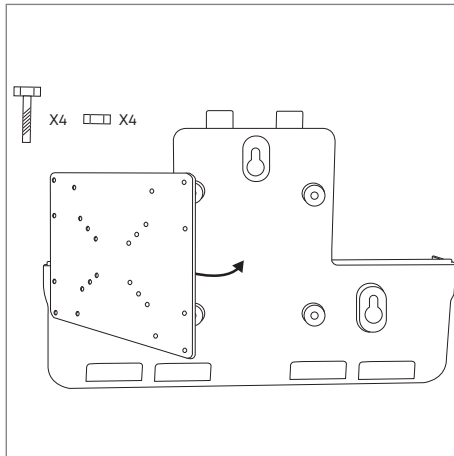


6. Setzen Sie die Montageplatte wieder ein bis die seitlichen Riegel hörbar einrasten.

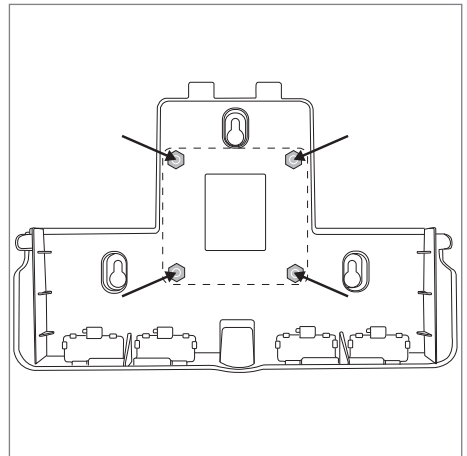
7. Befestigen Sie den Unite AP4 über das Gewinde auf einem Stativ mit 5/8"-Gewinde.  
Für Stative mit einem 1/2"- oder 3/8"-Gewinde ist im Lieferumfang ein entsprechendes Reduzierstück enthalten.  
Bei Bedarf können Sie dieses Reduzierstück mit einem Schlitzschraubendreher in das 5/8"-Gewinde einschrauben.



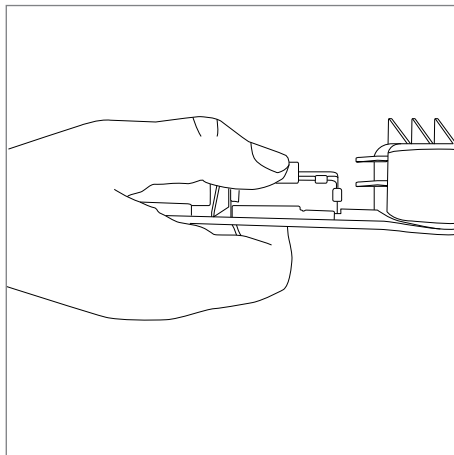
### 6.3 Montage auf VESA-Adapterplatte



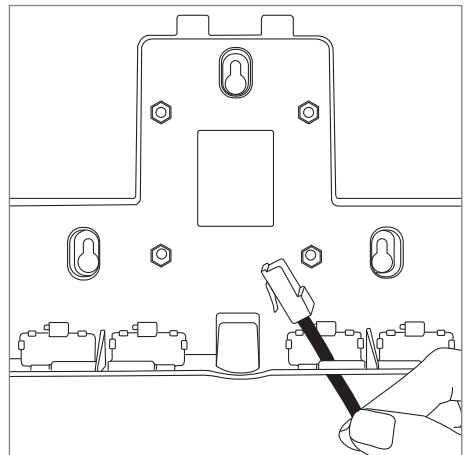
1. Befestigen Sie eine VESA 75x75 Platte mit den 4 beigelegten Schrauben über die 4 Löcher auf der Montageplatte. Die Abstände zwischen den 4 Löchern betragen jeweils 75 mm.  
**Achtung:** Bei der Auswahl der Schrauben achten Sie bitte darauf, dass die Schraube mit der Mutter **bündig** abschließt und **nicht** ins Gerät hineinragt.



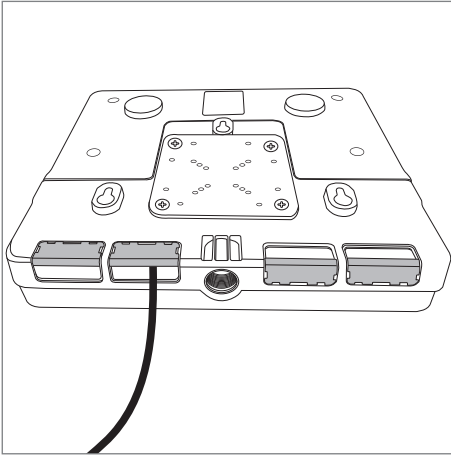
2. Auf der Innenseite der Montageplatte befestigen Sie die 4 Schrauben mit Sechskantmuttern befestigen. Größe der Mutter: M5



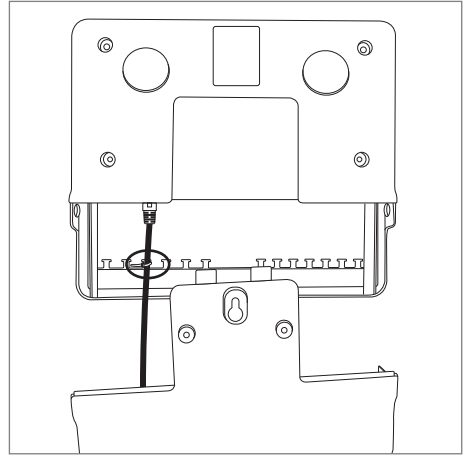
3. Drücken Sie Abdeckplättchen an der großen Rastnase von der Montageplatte heraus.



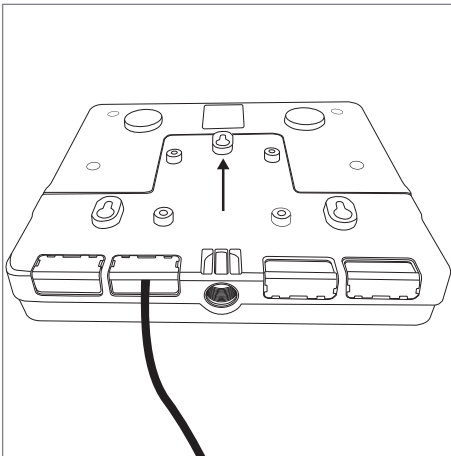
4. Führen Sie alle benötigten Anschlusskabel durch die Öffnungen der Montageplatte.



5. Befestigen Sie die Abdeckplättchen entsprechend der Kabelführung nach unten wieder an der Montageplatte.



6. Schließen Sie die Kabel an den entsprechenden Anschlüssen an. Fixieren Sie das Kabel mit einem Kabelbinder am T-Stück unterhalb des Anschlusses.



7. Setzen Sie die Montageplatte wieder ein bis die seitlichen Riegel hörbar einrasten.

Befestigen Sie den Unite AP4 über die Vesa-Platte am gewünschten Montageplatz.

**Achtung:** Bitte kontrollieren Sie, ob das Gerät fest montiert ist.



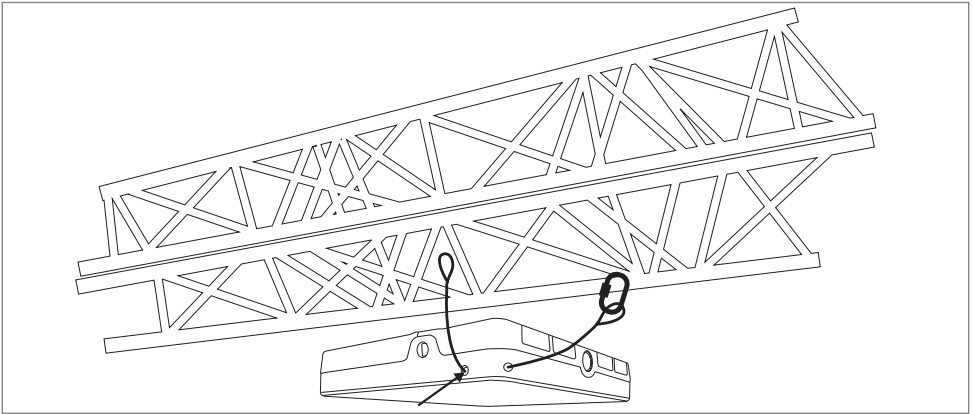
### 6.4 Sekundärsicherung (Sicherungsleine) verwenden

Der Unite AP4 verfügt über zwei Öffnungen durch die Sie eine Sekundärsicherung (Sicherungsleine) führen und den Unite AP4 zusätzlich gegen Herunterfallen sichern können.

*In der Praxis wird bei Leuchten, Lautsprechern, Monitoren, Dekorationen und anderen Gegenständen im Produktions- und Veranstaltungsbetrieb, die mit Befestigungseinrichtungen für ortsveränderliche Verwendung (z. B. Zapfen und Hülse, C-Haken) montiert werden, die Sicherheit der Aufhängung durch die Qualität der Montage am Einsatzort beeinflusst. Deshalb ist für diese Anwendungen eine Sekundärsicherung erforderlich.*

(Quelle: DGUV\_Information\_215\_313.pdf, März 2017)

Für die Vorzugsrichtung zum Einfädeln siehe die Pfeilrichtung in der Abbildung.

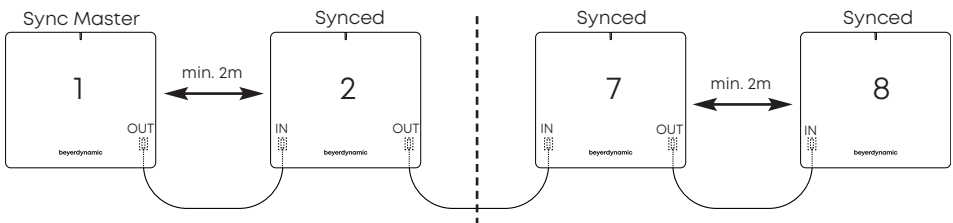


deutsch

### 7. Mehrere Unite AP4 einsetzen

Maximal können 8 Unite AP4 miteinander verbunden werden, so dass auf 32 Kanälen gesendet, empfangen oder gesendet und empfangen werden kann – je nach Konfiguration.

- Um die Geräte miteinander zu synchronisieren, verbinden Sie den Sync Signalausgang ⑧ des ersten Unite AP4 mit dem Sync Signaleingang ⑨ des zweiten Unite AP4. Verwenden Sie hierfür **Cat 5e AWG 24/1 F/UTP** Kabel oder besser. Die Belegung muss 1:1 sein.
- Verbinden Sie den Sync Signalausgang ⑧ des zweiten Unite AP4 mit dem Sync Signaleingang ⑨ des dritten Unite AP4 usw.
- Das erste Gerät fungiert als Sync Master. Jedes nachfolgende Gerät erhält dadurch ein Taktsignal vom Sync Master. Dadurch werden die einzelnen DECT-Kanäle der Geräte getaktet. Die Synchronisation bei Verwendung von mehr als einem Unite AP4 ist zwingend erforderlich, um den Betrieb zu gewährleisten.



**Achtung:**

- Werden mehrere Unite AP4 in einem Raum eingesetzt, muss zwischen den einzelnen Geräten jeweils ein Mindestabstand von 2 m eingehalten werden, um Funkstörungen zu vermeiden. Die Kabellänge zwischen zwei Geräten darf nicht mehr als 100 m betragen. Die Gesamtlänge aller Sync-Kabel zur Verbindung der Unite AP4 Geräte untereinander darf **nicht mehr als 700 m** betragen.

**8. Technische Daten****Externes Netzteil**

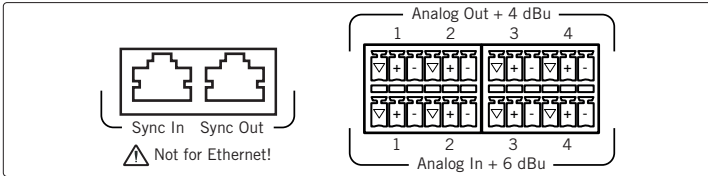
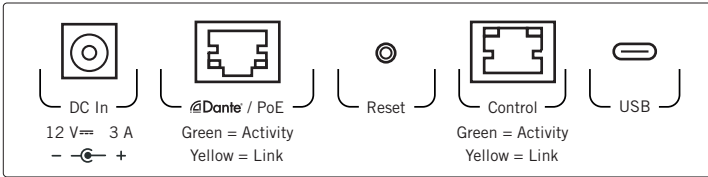
Eingangsspannung	100 – 240 V AC, 47-63 Hz
Eingangsstrom	max. 0,8 A
Ausgangsspannung	12 V DC
Ausgangsstrom	3 A
Netzkabel	je nach Region beigelegt
Kabellänge	2 m

**Unite AP4**

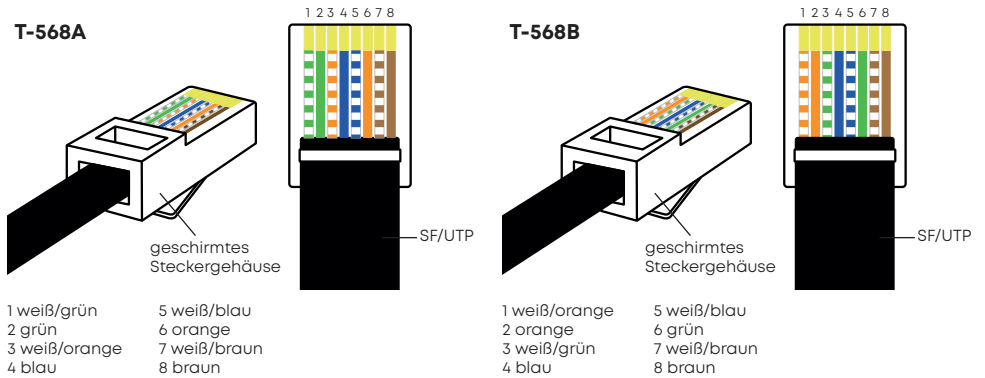
HF-Frequenzbereich DECT	1880 - 1930 MHz, länderabhängig
Sendeleistung DECT	bis zu 250 mW (Spitze), länderabhängig
Reichweite DECT	bis zu 300 m bei Sichtverbindung im Freien; die tatsächliche Reichweite hängt von der HF-Leistungseinstellung, der Umgebung, der Signalabsorption, -reflexion und -interferenz ab
HF-Abdeckung	bis zu 10.000 m <sup>2</sup> ; die tatsächliche Reichweite hängt von der HF-Leistungseinstellung, der Umgebung, der Signalabsorption, -reflexion und -interferenz ab
Audiobandbreite	
Hohe Qualität (HD)	50 Hz - 14 kHz (-3 dB)
Betriebsart	Broadcast (4 Kanäle)
Verschlüsselung	AES-256-Verschlüsselung
Antennen	Diversity, integriert
Richtcharakteristik Antennen	zwei Rundstrahlantennen mit frontseitiger Hauptkeule
Mindestabstand zwischen mehreren Unite AP4 Geräten	2 m
Anschlüsse	<ul style="list-style-type: none"> <li>• Ethernet (RJ 45)</li> <li>• USB-C (derzeit nicht implementiert)</li> <li>• DC-Eingang, DC 12 V, Leistungsaufnahme max 12 W</li> <li>• Sync-Eingang (RJ 45)</li> <li>• Sync-Ausgang (RJ 45)</li> <li>• Digital: Dante® (RJ 45; PoE: 12 W IEEE 802.3af-2003, 36 V - 57 V, only 48 kHz sample rate supported)</li> <li>• Analog: Phoenix®-Buchse, symmetrisch, Rastermaß 3,5 mm, zweireihig, 6-polig, symmetrische und geschirmte Anschlusskabel notwendig</li> <li>  Eingangsspegel (4 Kanal In): max. +7 dBu</li> <li>  Eingangsspegel für 0 dBFS @ 0 dB Gain: +5 dBu</li> </ul>

Kabelanforderungen für RJ 45 Ethernet-, Dante®- und Sync-Anschlüsse	
Kabeltype . . . . .	Cat 5e AWG 24/1 F/UTP, geschirmt, Belegung 1:1
Kabellänge für Ethernet, Dante® und Sync . . . . .	100 m
Gesamtlänge aller Sync-Kabel . . . . .	max. 700 m
Reset-Taste . . . . .	Zurücksetzen auf Werkseinstellungen (Netzwerk, Audio, DECT)
Netzwerkstandard . . . . .	DHCP (IP)
Anzeige . . . . .	Status-LED
Befestigung für Vesa-Mount . . . . .	75 x 75 mm
Befestigungsöffnungen für Sekundärsicherung . . . . .	vorhanden (Sicherungsleine nicht im Lieferumfang enthalten)
Temperaturbereich	
im Betrieb . . . . .	0 bis +40 °C
Lagerung . . . . .	-20 bis +50 °C
Relative Luftfeuchtigkeit . . . . .	0 bis 90%
Abmessungen (L x B x H) . . . . .	260 x 252 x 48 mm
Gewicht . . . . .	860 g

**Anschlussbelegung**



**Anschlussbelegung RJ45**

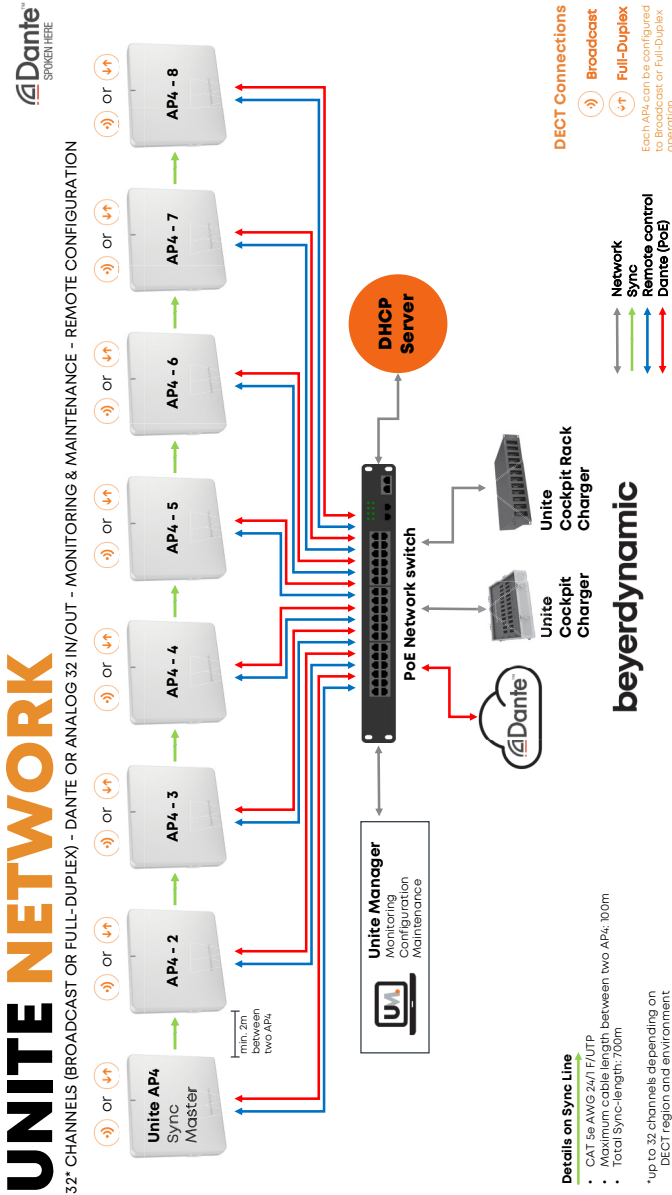


**Wichtig:**

Bitte verwenden Sie geschirmte Steckergehäuse. Verdrehen Sie den Schirm des Kabels und legen ihn so nach hinten um, dass durch Crimpen der Zugentlastung des Steckers eine Verbindung zwischen dem Schirm des Kabels und dem Steckergehäuse entsteht. Verwenden Sie für beide Kabelenden entweder eine Steckerbelegung gemäß T-568A oder T-568B. Mischen Sie nicht beide Steckerbelegungen.

**Netzwerkaufbau**

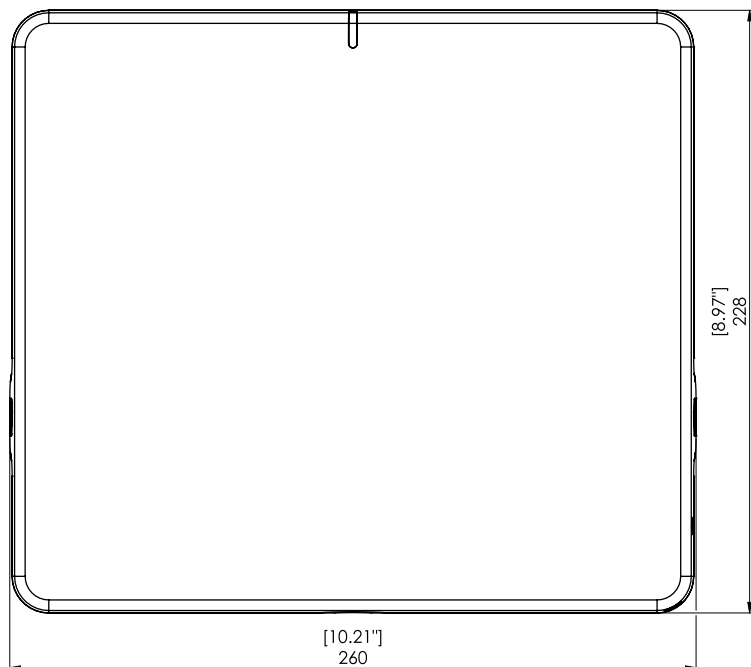
Die Konfiguration eines oder mehrerer Unite AP4 erfolgt über die kostenfreie Unite Manager Software: <https://www.beyerdynamic.de/unite-manager.html>



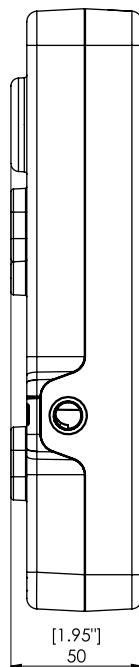
## Dimensions / Abmessungen

All dimensions in mm and [inch]. / Alle Angaben in mm und [Zoll].

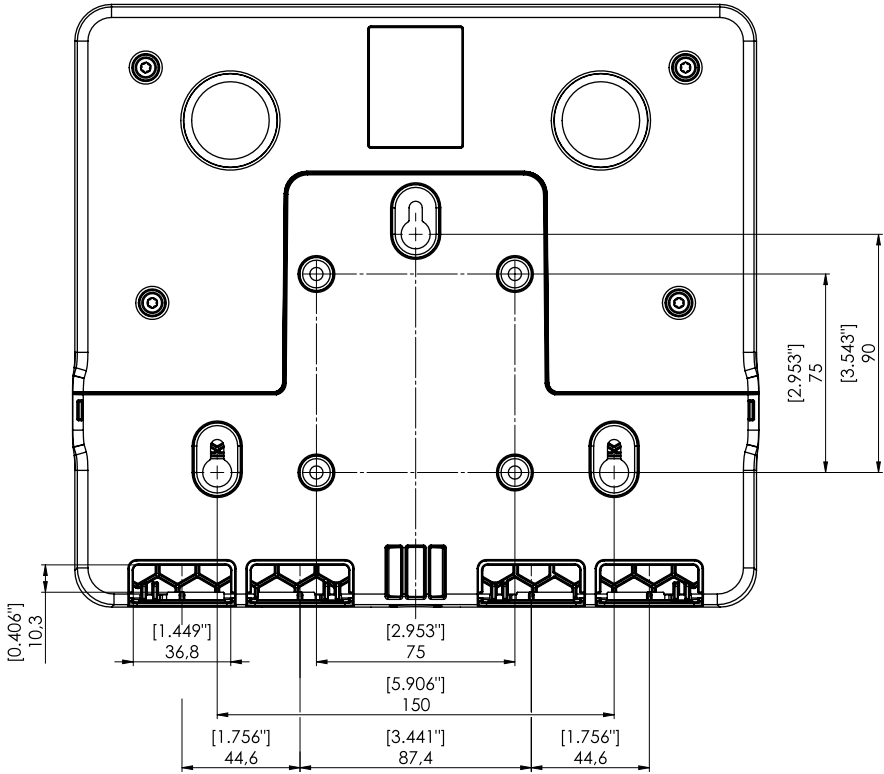
Front view / Vorderansicht



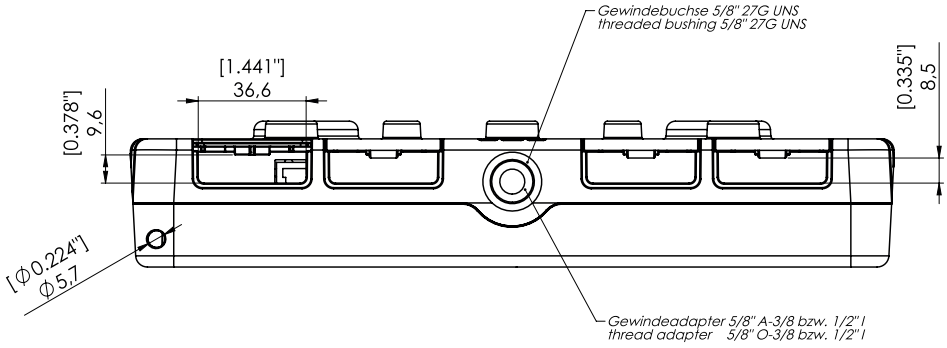
Side view /  
Seitenansicht



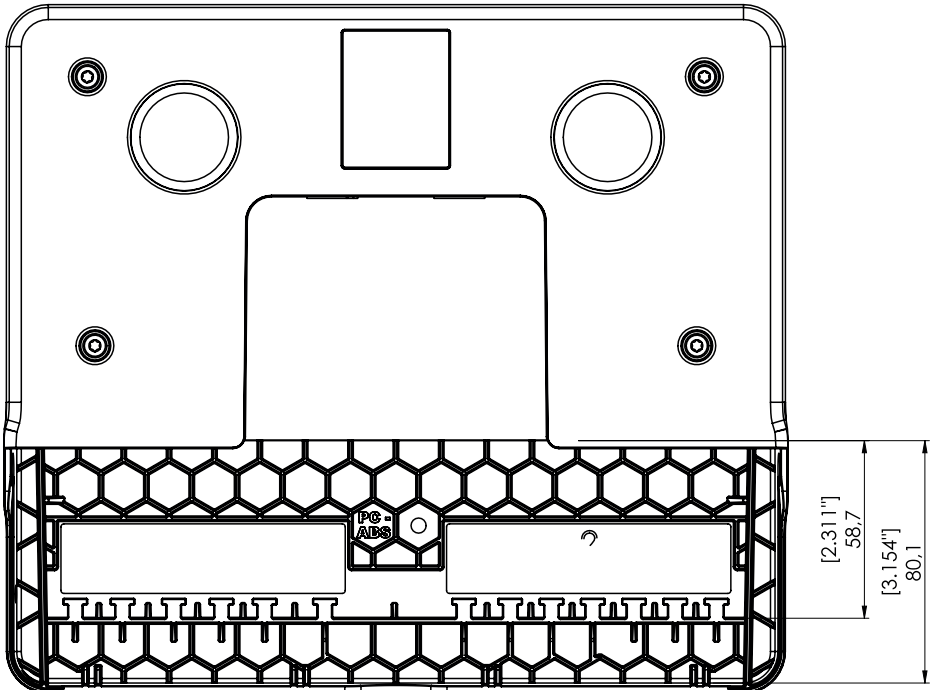
Rear view / Rückansicht



## Bottom view / Unteransicht

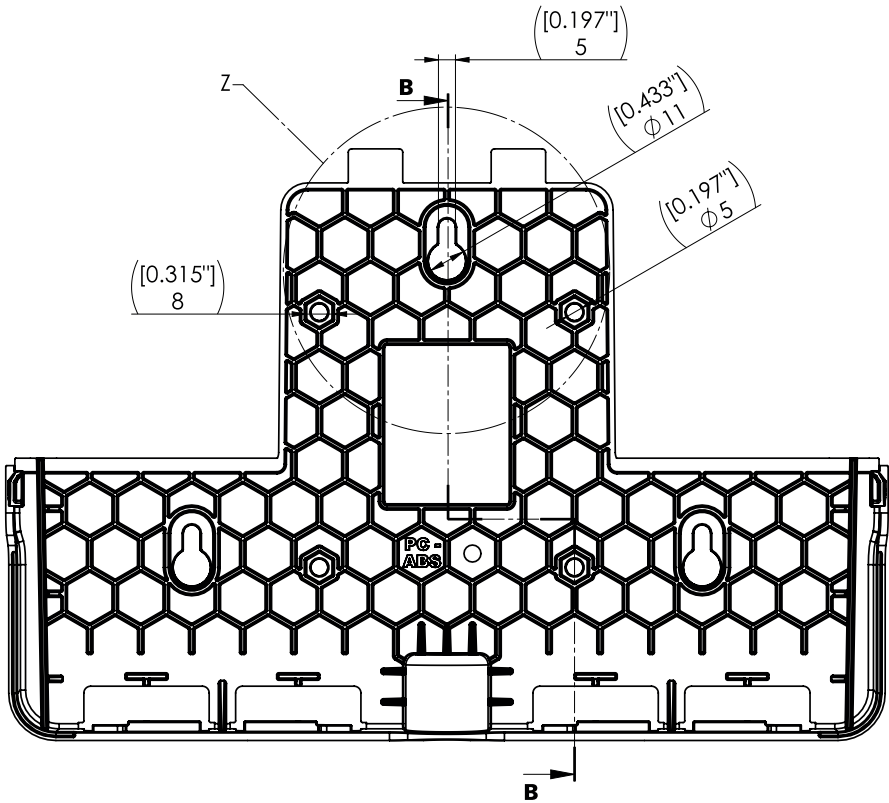


Rear view with removed mounting plate - cable duct /  
 Rückansicht bei abgenommener Montageplatte - Kabelschacht

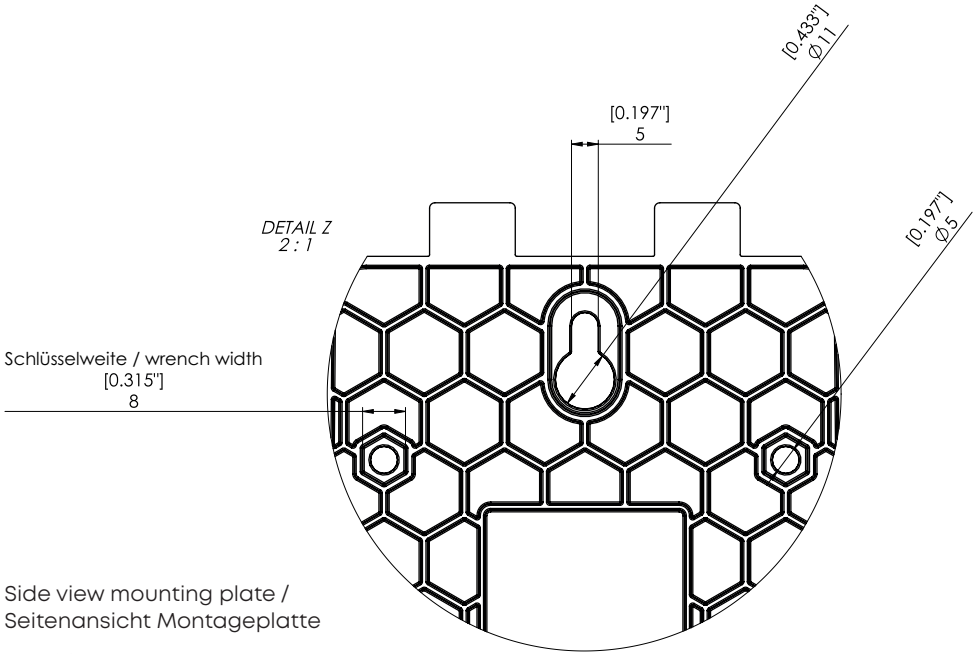




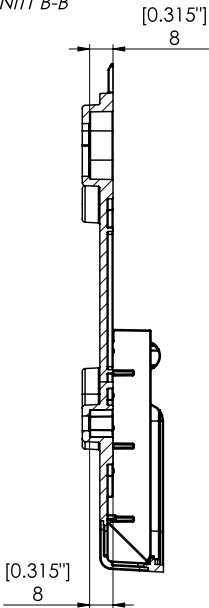
Dimensions of mounting holes for wall mounting and for VESA adapter plate /  
Abmessungen Befestigungslöcher für Wandmontage und für VESA-Adapterplatte



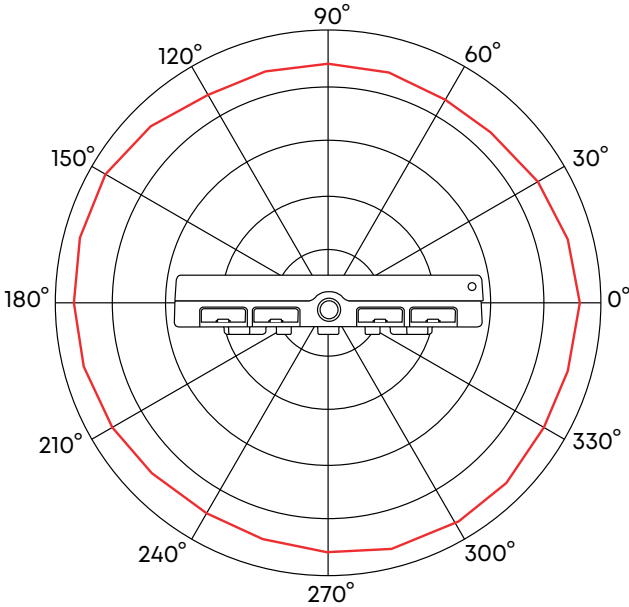
Dimensions of mounting holes for wall mounting and for VESA adapter plate in detail /  
Abmessungen Befestigungslöcher für Wandmontage und für VESA-Adapterplatte im Detail



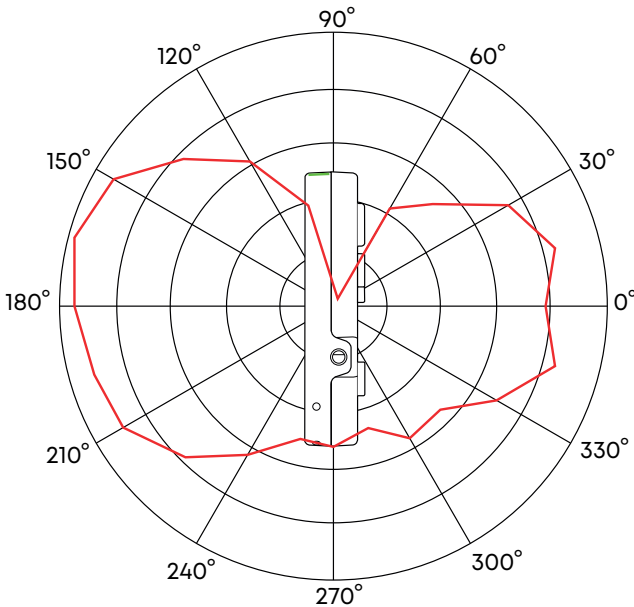
SCHNITT B-B



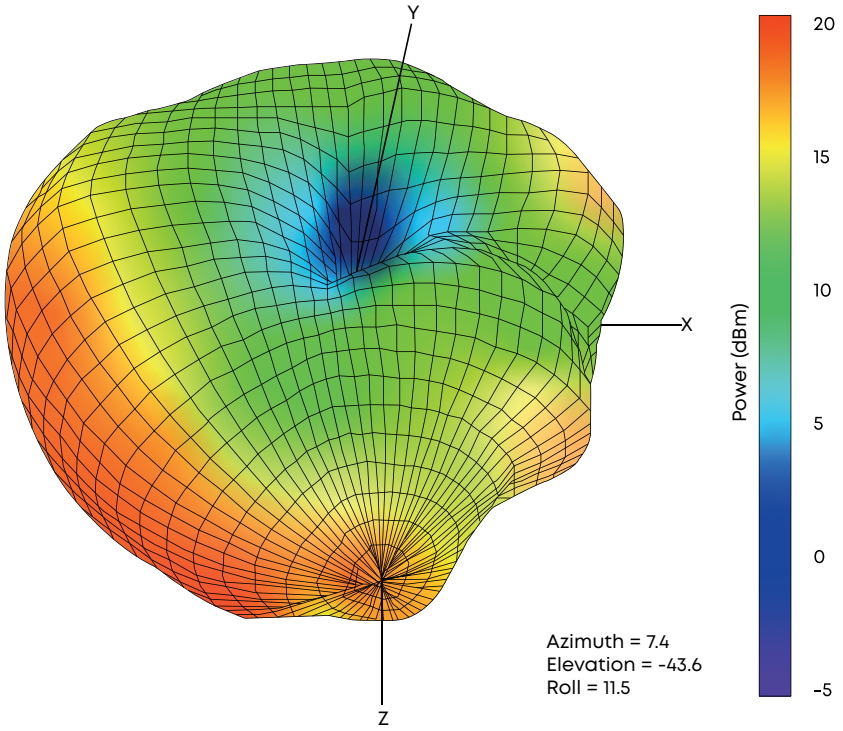
### Polar Pattern Antennas / Richtcharakteristik Antennen



Horizontal directivity / horizontale Richtwirkung



Vertical directivity / vertikale Richtwirkung



3D polar pattern / 3D-Polardiagramm







## English

Unite  
Operating instructions



Unite  
Landing page



## Deutsch

Unite  
Systemanleitung



Unite  
Landing Page



**[www.beyerdynamic.com](http://www.beyerdynamic.com)**

beyerdynamic GmbH & Co. KG  
Theresienstraße 8 · 74072 Heilbronn · Germany  
Phone +49 7131 617-300 · [info@beyerdynamic.de](mailto:info@beyerdynamic.de)

For further distributors worldwide, please go to [www.beyerdynamic.com](http://www.beyerdynamic.com)  
Non-contractual illustrations. Subject to change without notice.

Weitere Vertriebspartner weltweit finden Sie im Internet unter [www.beyerdynamic.com](http://www.beyerdynamic.com)  
Abbildungen nicht vertragsbindend. Änderungen vorbehalten.

EN-DE 3 / Unite AP4 / 679.240 (09.19)

