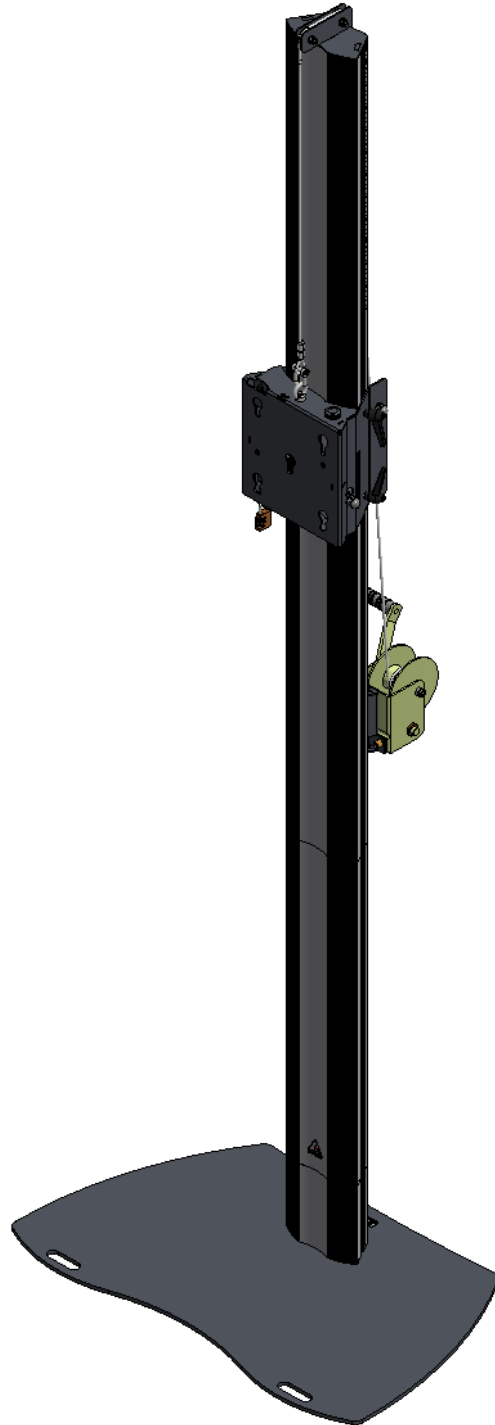


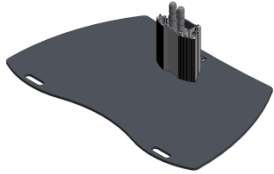
Stack-Lift

390966 - 390968

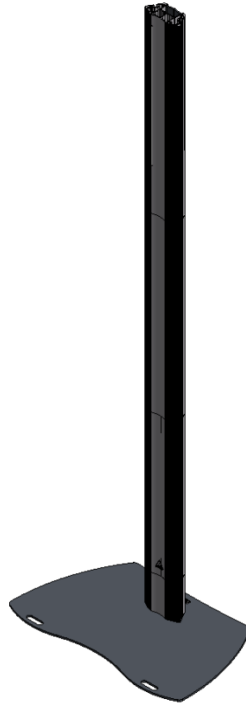


 **Audipack®**
It's great to have solutions...

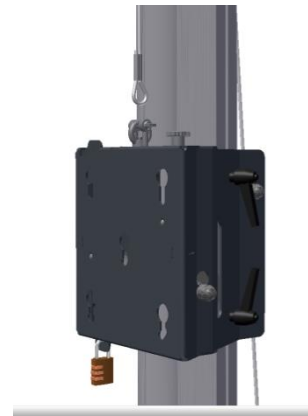
1.
Install the Stack-Lift only on level floors!



2.
Place the floor plate
on the floor



3.
Stack the columns
on the floor plate
and on each other.

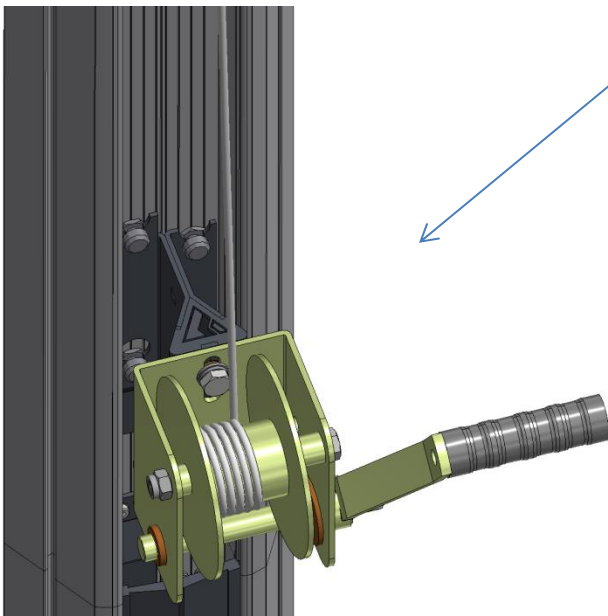
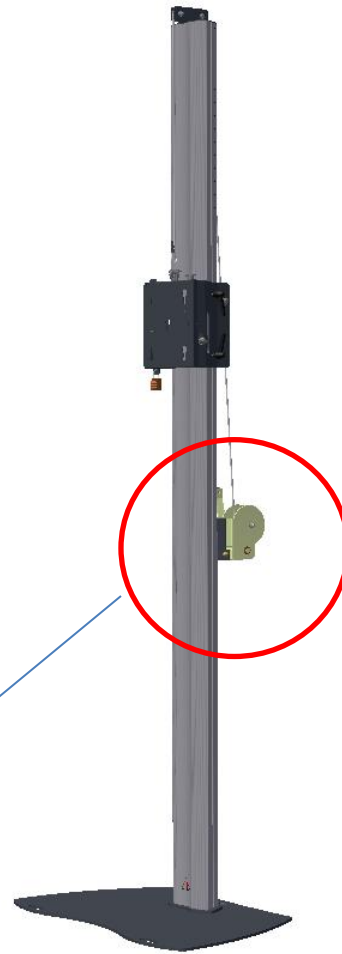


4.
Slide on the
mounting head.



5.
Secure the columns to each
other with the clips and to the
floor plate.

- 6.**
Place the cable guidance on top of the column. Lock it with the butterfly bolts.



- 7.**
Install the hoist to the back of the Stack-Lift.
Secure it well.
Use all 4 cams.
Loop the cable across the upper cable guidance.

- 8.**
Install the monitor with an Audipack monitor mount and hoist up the screen to presentation height.
Lock the position of the mounting head when ready.

- 9.**
The Stack-Lift requires an obligated safety test and check every year.

Important / belangrijk

NL:
Controleer de staalkabel van het product alvorens het product te gebruiken
Test het product eerst met een testlast alvorens een beeldscherm toe te passen
Het product dient jaarlijks gecontroleerd te worden volgens de NEN norm of overeenkomstige norm in land van gebruik.

UK:
Check the lifting cable every time before use.
Test the product with a test load before lifting a screen
The product must be checked yearly according the below mentioned norm or compliant norm in the country it is being used.

NEN-EN-ISO 12100:2010NL

Slijtende delen vallen niet onder garantie:

- Staalkabel
- Staalkabelhulzen
- Hijshaak

Parts excluded from product warrenty:

- Lifting cable / steel cable
- Kabel fixantions
- Lifting hook

Audipack's general conditions of sales and delivery apply to all of Audipack's deliveries. These conditions can be downloaded from Audipack's website, www.audipack.com, or will be sent by post on request.

Audipack liefert ausschließlich unter die allgemeine Verkauf- und Lieferungsbedingungen von Audipack. Diese Bedingungen sind zum downloaden verfügbar auf die Webseite von Audipack, www.audipack.com, oder werden Ihnen auf Anfrage per Post gesendet.

Alle leveringen geschieden uitsluitend volgens de Algemene Verkoop- en Leveringsvoorwaarden van Audipack. Een afschrift hiervan kunt u downloaden van de website van Audipack, www.audipack.com, of wordt u op aanvraag gestuurd per post.

Les conditions de vente et de livraison de Audipack s'appliquent à tous les livraisons de Audipack. Cette conditions sont disponible sur le site internet de Audipack, www.audipack.com, où seront envoyé par poste sur demande.

AUDIPACK

Industriestraat 2-4
2751 GT Moerkapelle
the Netherlands

Tel: +31(0)795931671
Fax: +31(0)795933115
Email: audipack@audipack.com

www.audipack.com

Audipack reserves the right to make changes in specifications and other information contained in this document without prior written notice. The information provided herein is subject to change without notice. In no event shall Audipack be liable for any incidental, special, indirect, or consequential damages whatsoever, including but not limited to lost profits, arising out of or related to this manual or the information contained herein, even if Audipack has been advised of, known, or should have known, the possibility of such damages.