

Synexis TP8

Beltpack Transmitter

FEATURES

- Ergonomic design
- 18 selectable frequencies
- Channel selector buttons
- Channel lock function
- On/off switch
- LED to display operation or charging status
- OLED display to indicate channel, battery status, frequency and channel lock function
- Mute function for microphone
- Aux-In connection for audio source such as MP3 player, mini stereo jack (3.5 mm)
- Adjustable gain via 3-stage switch (Hi/Mid/Low)
- Microphone connection, 4-pin mini XLR
- Operation with two rechargeable AA NiMH batteries or 1.5 V AA batteries
- Integrated charging contacts
- Intelligent charging technology with auto-off function
- Removable belt clip to attach the transmitter to the clothing
- Can be worn around the neck when using a strap
- Soft-touch surface for pleasant handling
- Automatic NiMH / Alkaline battery recognition

APPLICATIONS

The Synexis TP8 beltpack transmitter is used together with the Synexis RP8 beltpack receiver for guided tours or conferences. Transmitter and receiver can also be used for multilingual interpretation applications. The transmitter and receiver can also be used in conjunction with hearing aids.

The operation range is approximately 328 ft (100 m) with a line of sight between transmitter and receiver.

The transmitter can be attached to the clothing with the removable belt clip or worn around the neck with a strap.

The ergonomic design and the operating elements allow an easy and intuitive operation.

Depending on the application, requirement or preference the user can connect an appropriate microphone to the 4-pin mini XLR connection. With the mute button the microphone can be muted for possible individual agreements. Unintended listening is avoided in this way.

An internal switch allows selecting the gain for close or distant miking.

An external audio source can be connected to the Aux-In connection to play standard phrases or music.

The OLED display provides a brilliant, easily readable indication of channel, battery status, frequency and channel lock function. With the channel lock function accidental shifting of the selected channel is avoided.

The transmitter is powered by two rechargeable NiMH batteries or 1.5 V AA batteries. Due to the integrated charging contacts the rechargeable batteries can remain in the transmitter during charging. The intelligent charging technology automatically switches off the transmitter when charging.

The automatic NiMH / Alkaline battery recognition is an essential safety feature and excludes an incorrect operation.

COMPONENTS

Synexis TP8 Frequency range
863 - 865 MHz Order # 722.332

1 of 2



OPTIONAL ACCESSORIES

MCE 10.18	Condenser lavalier microphone, hypercardioid, 4-pin female mini XLR connector, black Order # 471.895
TG L55c	Mini condenser lavalier microphone, omnidirectional, waterproof, 4-pin female mini XLR connector, black Order # 707.201
TG L55c tan	same as above, but beige Order # 707.228
TG H74c	Neckworn microphone, condenser, cardioid, 4-pin female mini XLR connector, black Order # 707.090
TG H74c tan	same as above, but beige Order # 707.104
TG H75c	Neckworn microphone, condenser, omnidirectional, waterproof, 4-pin female mini XLR connector, black Order # 707.112
TG H75c tan	same as above, but beige Order # 707.120
PEM 10.18 SC	Earworn cardioid condenser microphone, 4-pin mini XLR connection, with pop shield, beige Order # 485.020
PEM 60.18 SC	Earworn omnidirectional condenser microphone, 4-pin mini XLR connection, with pop shield, beige Order # 485.004

SUPPLIED ACCESSORY

2 x AA 1.2 V / 2050 mAh NiMH rechargeable batteries
1 x belt clip
1 x strap

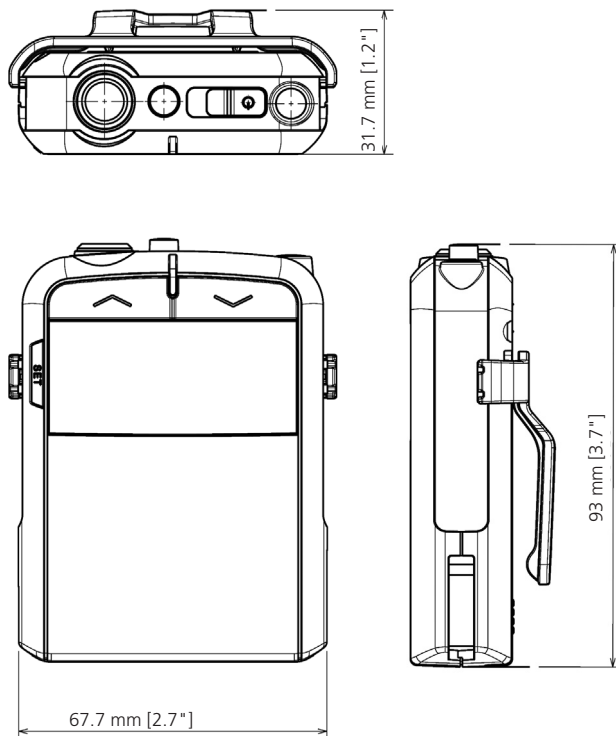
Synexis TP8

ARCHITECT'S SPECIFICATIONS

Belt-pack transmitter in a compact, ergonomic design to connect different clip-on or neckworn microphones with 4-pin XLR connector. 18 selectable frequencies in the frequency range of 863 - 865 MHz. On/off switch and button for microphone mute function. Adjustable gain to meet the ambient sound level. OLED display to indicate transmitting channel, battery status, operating mode, frequency and channel lock function. LED to display operation or charging status. Connecting cable of the microphone is used as antenna. Aux-In connection for audio source such as MP3 player, mini stereo jack (3.5mm). Channel selector buttons and channel lock function to avoid accidental channel shifting. Removable belt clip and strap for high wearing comfort. Charging contacts integrated in the housing. Soft-touch surface. Integrated intelligent charging technology with Alkaline detection, temperature monitoring and auto-off function. Supplied with two rechargeable NiMH batteries, type LR 6, AA, mignon with a capacity of 2050 mAh.

Manufacturer: beyerdynamic
Type: Synexis TP8

DIMENSIONS



All dimensions in mm and [inch].

2 of 2

TECHNICAL SPECIFICATIONS

Oscillation type	PLL synthesised control QSC
Carrier frequency	863.150 - 864.850 MHz
Adjustable frequencies	18 pre-programmed, switchable frequencies
Type of emission	FM
DC current	175 ±10 mA at 2.4 V
RF power output	10 mW (ERP)
Max. modulation	45 kHz with level limiting
Microphone modulation output	Hi level: 14 ±1 kHz at Mic. Input -40 dBv, f = 1 kHz Mid level: 10.8 ±1 kHz Low level: 8 ±1 kHz
AUX modulation output	13.6 ±1 kHz at Input -10 dBv, f = 1 kHz
Compander system	Compander and ALC
Frequency response	70 Hz - 13 kHz with RP8
SINAD	> 40 dB at f = 1 kHz, Mic In = -30 dBv, Hi level
T.H.D.	< 1%
Tone output frequency	38 kHz
Tone output modulation	2.5 ± 0.5 kHz
Battery	1.2 V (Ni-MH 2100 mAh) x 2 AA type, rechargeable
Operating time	12 hours
Microphone connector	Mic In: Mini XLR 4-pin Aux In: 3.5 mm mini jack socket for mono or stereo
Operating range	100 m with RP8 (open field)
Ambient temperature	-10 °C to +50 °C [14 to 122 °F]
OLED display	Battery, Channel, Frequency, Mute, Lock
LED display	On = blue Mute = red flash 1 Hz Charging = blue slow flashing 0.5 Hz Full/trickle charging = steady blue Error = red fast flashing 7 Hz
According to regulation	EN301357
Dimensions (L x W x H)	93 x 67 x 31,7 mm [3.7" x 2.6" x 1.2"]
Weight	90 g [0.2 lbs]