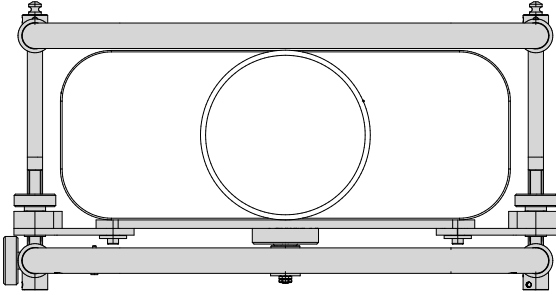


# INSTALLATION MANUAL

## FRAME-ET-RFD91



Important safety notice	2
Product description	3
Installing the projector in the frame	4
Securing the projector in the frame	5
Installing tandem projections	6
Maximum stacking information	6
Adjustment options	7
Dimensions & weight	8

### For projectors:

3 Chip:	PT-DZ13K	1 Chip:	PT-DZ870	PT-DW740	PT-DZ6710
	PT-DS12K		PT-DW830	PT-DX810	PT-DW6300
	PT-DW11K		PT-DX100	PT-RZ670	PT-D6000
	PT-DZ10K		PT-DZ780	PT-RW630	PT-D5000
	PT-DZ110X		PT-DW750	PT-DZ680	
	PT-DS100X		PT-DX820	PT-DW640	
	PT-DW90X		PT-DZ770	PT-DX610	

**Only a qualified technician should install this product.**

Read these instructions carefully before installing the ET-RFD91 projector frame.

These instructions must always be handed over to the installing person.

# IMPORTANT SAFETY NOTICE

---

**Dear customer,**

Thank you for choosing the ET-RFD91 projector frame for Panasonic DLP® projectors. This instruction booklet provides you with all the necessary operating information that you may require. It will help you to get the best performance out of this new product. We hope you will be pleased with your Panasonic projector frame.

Model number:      **ET-RFD91**

## **SAFETY PRECAUTIONS**

This frame is BGV-C1 certified.

### **WARNING**

**Installation work should only be carried out by a qualified technician.**

- If this product is not installed correctly, serious accidents may result.

**Do not place the projector (with or without frame) on top of unstable surfaces.**

- If the projector is placed on top of a surface which is sloped or unstable, it may fall down or tip over and injury or damage could result.

**Make sure not to exceed max. weight loads for ceiling mounts.**

- For suspended installations, use only designated hanging accessories, like **TH-SHORTY-150-8** for a max. weight load of 150 kg (330.69 lb) or **TH-SHORTY-60-6** for a max. weight load of 60 kg (132.28 lb).

### **CAUTION**

**Do not install the frame in a place which may impede projector ventilation.**

- If this is not observed, fire may result.

-For detailed information regarding positioning please consult the projector manual.

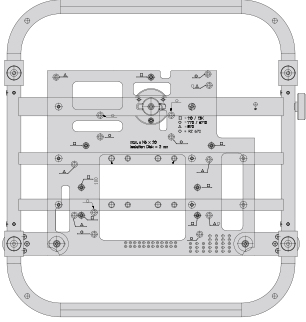
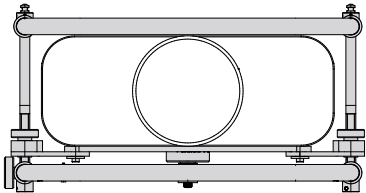

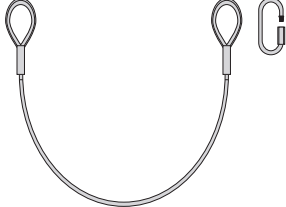
**Do not set up the projector in humid or dusty places or in places where the projector may come into contact with oily smoke or steam.**

- Using the projector under such conditions may result in fire, electric shocks or plastic deterioration.

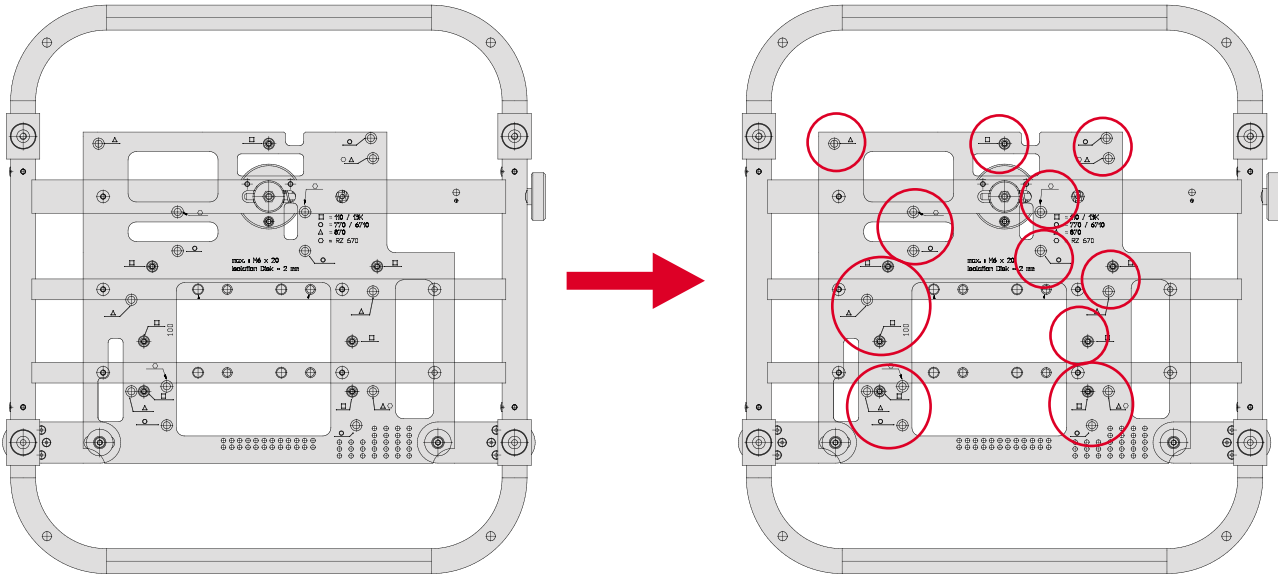
**Minimum 2 people are required to install the frame.**

-With regard to the overall weight of all necessary installation devices, make sure to handle those with at least 2 people.

# PRODUCT DESCRIPTION

Parts name	Image/Drawing	Purpose	Finished assembly diagram
Frame		Used for projector installation.	 <p data-bbox="1139 965 1406 1055">For tandem assemblies, another separate frame is required.</p>
Screws and washers	 <p data-bbox="517 842 703 869">Screws (M6x20) x 7</p> <p data-bbox="517 920 730 965">Flat washers (M6) x 14 max. 2mm</p>	Used for securing the projector into the frame.	
Safety		Used for additional security.	

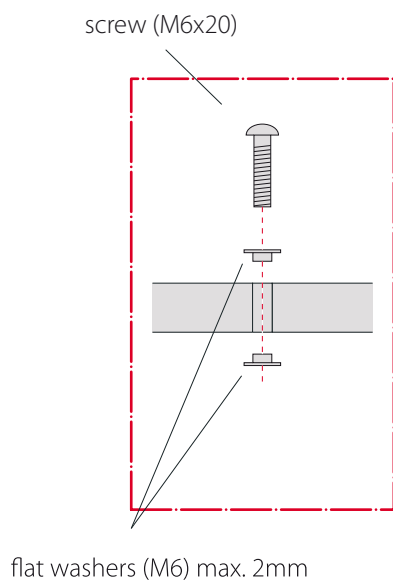
# INSTALLING THE PROJECTOR IN THE FRAME



Place the frame on the projector so that it is aligned with the screw hole positions. (Make sure that the forward/back direction is correct when installing. If the direction is reversed, the hole positions will not match.)

The screw holes are marked as follows:

- |  |  |  |
|--|--|--|
| <p><b>6 screws</b></p> <p>▲ = PT-DZ870<br/>PT-DW830<br/>PT-DX100</p> <p><b>5 screws</b></p> <p>◈ = PT-RZ670<br/>PT-RW630</p> | <p><b>7 screws</b></p> <p>◻ = PT-DZ13K<br/>PT-DS12K<br/>PT-DW11K<br/>PT-DZ10K<br/>PT-DZ110X<br/>PT-DS100X<br/>PT-DW90X</p> | <p><b>5 screws</b></p> <p>○ = PT-DX810S<br/>PT-DZ770K<br/>PT-DW740S<br/>PT-DW730<br/>PT-DZ680<br/>PT-DW640<br/>PT-DZ6710<br/>PT-DZ6700<br/>PT-DW6300S<br/>PT-D6000<br/>PT-D5000<br/>PT-DZ780<br/>PT-DW750<br/>PT-DX820</p> |
|--|--|--|

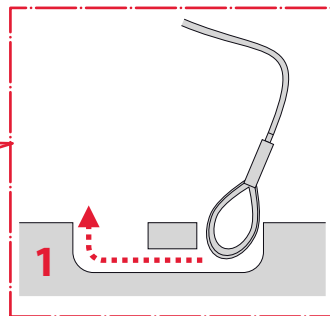
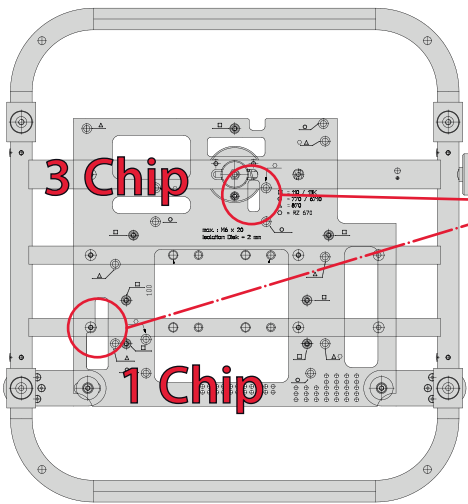


Please make sure to use **ONLY** the correspondent screw holes when installing a projector!

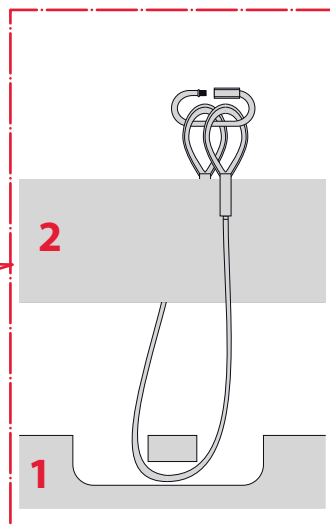
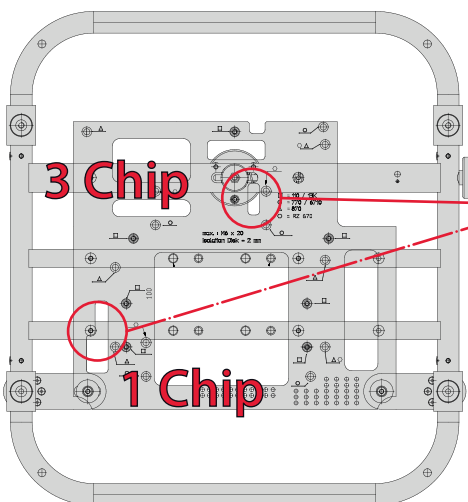
Secure the projector in the frame using the eight screws (M6x20) and the sixteen flat washers (M6). **Do not forget to use the washers as they are responsible for the galvanic isolation.**

**Torque:  $4 \pm 0.5$  Nm**

# SECURING THE PROJECTOR IN THE FRAME

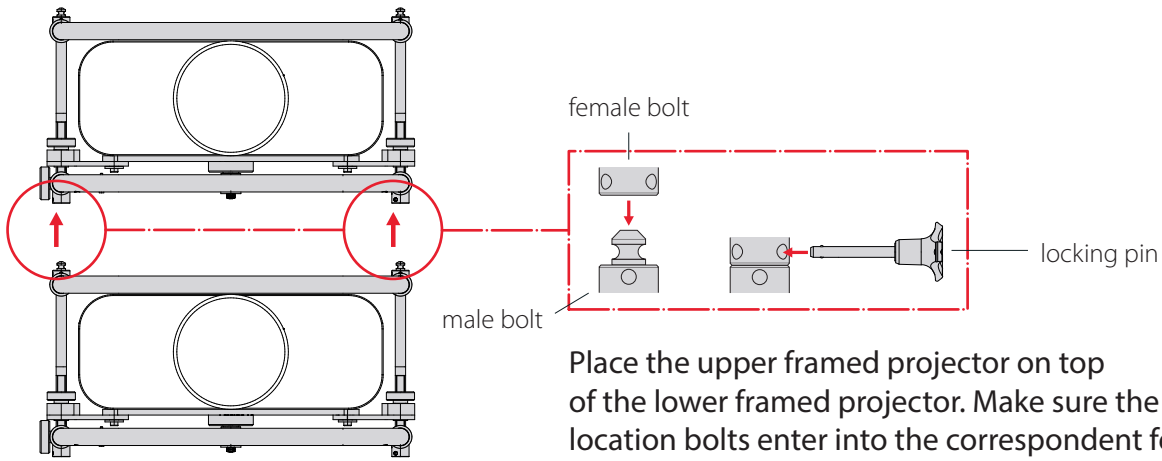


Please use the enclosed steel wire to secure the projector in the frame by drawing the wire around the securing bar (1) of the projector as shown in image 1.



Fix both end latches with the enclosed carabiner. Please make sure that the steel wire clasps the securing bar of the projector (1) and the steel bar of the frame (2). The carabiner screw must be tightly fastened!

# INSTALLING TANDEM PROJECTIONS

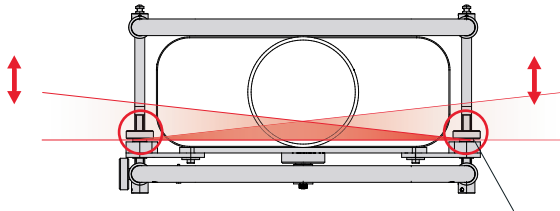


Place the upper framed projector on top of the lower framed projector. Make sure the four male location bolts enter into the correspondent female location bolts. To secure, draw the locking pin through both bolts.

# MAXIMUM STACKING INFORMATION

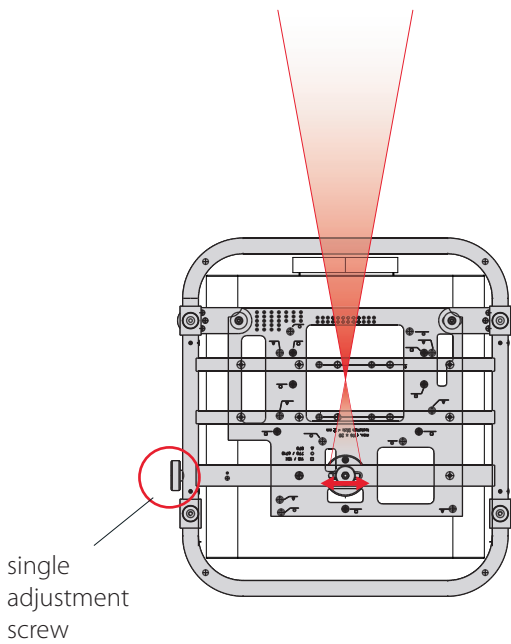
	projectors up to 18 kg (39.68 lb)/pcs excl. lens	projectors up to 24 kg (52.91 lb)/pcs excl. lens	projectors up to 30 kg (66.14 lb)/pcs excl. lens
ceiling mount with TH-SHORTY-60-6			
ceiling mount with TH-SHORTY-150-8			
table mount			

# ADJUSTMENT OPTIONS



Using the adjusting screws to the left and right you can adjust the position of the projector by approximately five degrees. You can lower or lift the front left or right corner.

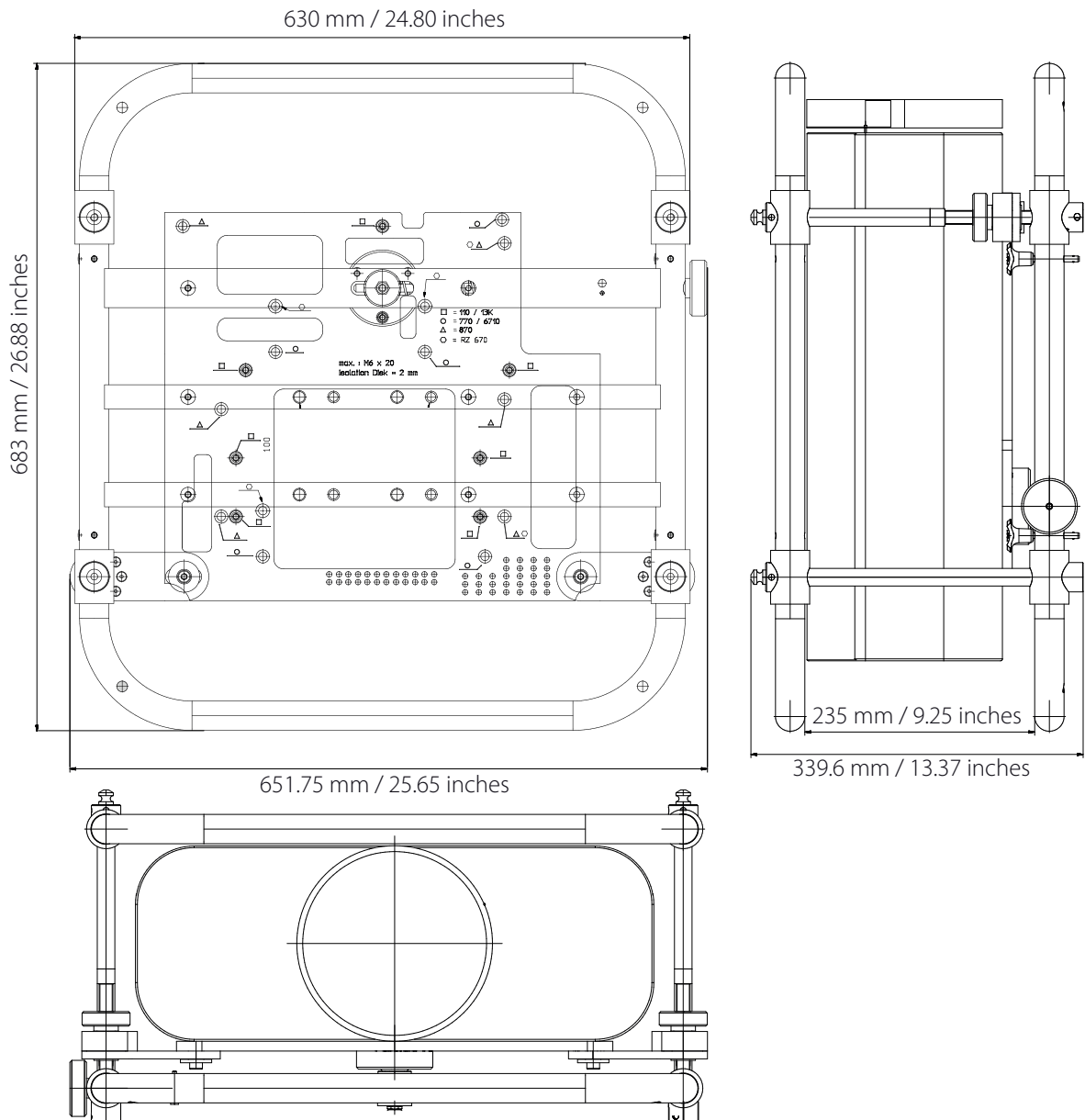
adjusting screws



By turning the single round adjustment screw, placed on the side of the frame, you can move the back of the projector to the left or to the right by approximately five degrees.

# DIMENSIONS & WEIGHT

Weight: 11,00kg











Made in Germany  
for



by Sager Metallbearbeitung

[www.lang-ag.com](http://www.lang-ag.com)

03/17