

EVO-LINK-200 series

Truss mount for EVO frame series

Manual Version 1.1



EVO-LINK-200



EVO-LINK-201



EVO-LINK-210



EVO-LINK-211

Date	Revision No.	Author	Checked	Approved	Description
30.03.2020	1.0	VIU			Version draft 1.0
04.05.2020	1.1	VIU	DRD	DRD	Version 1.1
19.01.2022	1.2	TSN			Adding P30 and P17

These installation instructions must always be provided to the installing persons

Table of contents

1. Preamble	3
1.1 EVO-LINK-200 series designations.....	3
1.2 Compatible frames for EVO-LINK-200 series*.....	4
1.3 Tools required	5
2. Safety instructions	5
3. What's in the box?	11
3.1 EVO-LINK-200	11
3.2 EVO-LINK-201	12
3.3 EVO-LINK-210	13
3.4 EVO-LINK-211	14
4. Optional accessories	15
5. EVO-LINK-200 series and the EVO frame series	16
5.1 Attaching to the frame	16
5.2 Mounting the EVO-LINK-200 or EVO-LINK-201 to a truss	18
5.3 Mounting the EVO-LINK-210 or EVO-LINK-211 to a truss	21
6. Adjustment options	24
6.1 Rough adjustment	24
6.2 Fine adjustment (only EVO-LINK-201 and EVO-LINK-211)	25
7. Maximum stacking information	25
8. System maintenance and inspection (Re-examination)	28
9. Declaration of Conformity	30
Imprint	31

Manual EVO-LINK-200 series

1. Preamble

Congratulations on your purchase of one of the **EVO-LINK-200, EVO-LINK-201, EVO-LINK-210 or EVO-LINK-211** truss mount for EVO frame series. This manual is made for all the products of the EVO-LINK-200 series which are:

- EVO-LINK-200 (without additional fine adjustment)
- EVO-LINK-201 (with additional fine adjustment)
- EVO-LINK-210 (with crossbeam and two clamps, without additional fine adjustment)
- EVO-LINK-211 (with crossbeam and two clamps, with additional fine adjustment)

Please read very carefully the instructions provided in this manual. In the following pages you will find all the information needed for a safe and correct installation. After the installation is done properly, you can enjoy all the features of your new product.

Please consider keeping the original box and packaging materials, in case you ever need to ship the truss mount.

1.1 EVO-LINK-200 series designations

European market	Non-European market
Manufacturer m.no.: EVO-LINK-200 Panasonic EU m.no.: TBD Epson m.no.: TBD	Manufacturer m.no.: EVO-LINK-200-US Panasonic USA m.no.: ET-PFD065TMS2 Epson m.no.: TBD
Manufacturer m.no.: EVO-LINK-201 Panasonic EU m.no.: TBD Epson m.no.: TBD	Manufacturer m.no.: EVO-LINK-201-US Panasonic USA m.no.: ET-PFD165TMS2 Epson m.no.: TBD
Manufacturer m.no.: EVO-LINK-210 Panasonic EU m.no.: TBD Epson m.no.: TBD	Manufacturer m.no.: EVO-LINK-210-US Panasonic USA m.no.: ET-PFD265TMCX2 Epson m.no.: TBD
Manufacturer m.no.: EVO-LINK-211 Panasonic EU m.no.: TBD Epson m.no.: TBD	Manufacturer m.no.: EVO-LINK-211-US Panasonic USA m.no.: ET-PFD365TMCX2 Epson m.no.: TBD

m.no. = model number

Manual EVO-LINK-200 series

1.2 Compatible frames for EVO-LINK-200 series*

European market	Non-European market
Manufacturer m.no.: FRAME-EVO-P10 Panasonic EU m.no.: ET-RFD40	Manufacturer m.no.: FRAME-EVO-P10-US Panasonic USA m.no.: ET-PFD365
Manufacturer m.no.: FRAME-EVO-P14 Panasonic EU m.no.: ET-RFD50	Manufacturer m.no.: FRAME-EVO-P14-US Panasonic USA m.no.: ET-PFD465
Manufacturer m.no.: FRAME-EVO-P20 Panasonic EU m.no.: ET-RFD60	Manufacturer m.no.: FRAME-EVO-P20-US Panasonic USA m.no.: ET-PFD565
Manufacturer m.no.: FRAME-EVO-P17 Panasonic EU m.no.: /	Manufacturer m.no.: FRAME-EVO-P17-US Panasonic USA m.no.: ET-PFD525
Manufacturer m.no.: FRAME-EVO-P30 Panasonic EU m.no.: ET-RFD70	Manufacturer m.no.: FRAME-EVO-P30-US Panasonic USA m.no.: ET-PFD765
Manufacturer m.no.: FRAME-EVO-E10 Epson m.no.: ELPMB59	Manufacturer m.no.: FRAME-EVO-E10 Epson m.no.: ELPMB59
Manufacturer m.no.: FRAME-EVO-E20 Epson m.no.: ELPMB57	Manufacturer m.no.: FRAME-EVO-E20 Epson m.no.: ELPMB57

m.no. = model number

*This is an abstract of a complete list of compatible projector frames. EVO-LINK-200 series is also compatible with other projector frames, please contact us for more information.

Note: In this manual, when reference is made to the manufacturer model number it is also automatically a reference to the Panasonic EU / USA or Epson model number like described in the table above.

1.3 Tools required

The tools required are:

- 5mm Allen Key to tighten the M6 screws or 6 mm hex key to tighten the M8 screws



Figure 1 Allen key

- 19mm hexagon wrench key



Figure 2 19mm hexagon wrench key

- Universal torque



Figure 3 Universal torque key

2. Safety instructions

These installation instructions must always be handed over to the installing person. Only a qualified person is allowed to install this product. Read these instructions carefully before installing the system.

Manual EVO-LINK-200 series

INTENDED USE

The EVO-LINK-200 series truss mount is intended for use by fully qualified, trained and competent persons to provide a safe and secure installation and adjustment of the products.

Only use the truss mount with the frame in a closed indoor environment (conference rooms, theatres, convention halls, etc.) where there is no wind, moisture, excessive heat etc. Serious accidents and death can occur if the products are installed in the wrong environment.

Make sure that only the compatible projector frames are installed to this truss mount. Do not try to use it with not recommended frames because serious accidents and death can occur!

The EVO-LINK-200 series is made for installing on 48-51mm diameter pipe structures. Do not try to use it with other dimensioned structures as it will not be safe and people might get hurt or killed.

Always use a rigging sling with steel cable insert and a shackle that is stable enough for the load including dynamic forces when falling into the rigging sling! (two sets of rigging sling and shackle are recommended) Otherwise it is not allowed to use the product and serious accidents or death can happen.

Do not remove or replace any parts of EVO-LINK-200 series on your own. Contact the manufacturer or service partner in case of damage or loss. Removing or replacing parts by non-certified companies or people might result in serious accidents and death.

WARNINGS

Installation work should only be carried out by a qualified technician.

- If this product is not installed correctly, serious accidents and death may result.

Do not use the EVO-LINK-200 series truss mount outdoor.

- This product is made only for indoor usage. If the EVO-LINK-200 series truss mount is mounted outdoor, there are many influences like wind or

Manual EVO-LINK-200 series

rain that can have an effect on the stability of the whole system. This can cause serious accidents, death and property damage.

Do not hang the truss mount from unstable or inappropriate structures.

- If the truss mount is hung on an unstable structure, the entire system can fall down and injuries or death may occur. Make sure that the construction can support a total weight of 210 kg (463 lbs) plus the weight of all additional equipment as well as other potential systems.

Make sure not to exceed the maximum weight load limits of 200 Kg / 441 lbs.

- If the attached frame with projectors and accessories such as cables, lenses etc. is too heavy, it can break the truss mount, or the entire system can fall down and property damage or injuries or death may occur.

Do not install the EVO-LINK-200 series or the frame while people are present under the mounting zone.

- When installing the truss mount with the frame, make sure no one is in the area underneath the installation zone to prevent serious injuries.

Always secure the truss mount to the rigging truss with a rigging sling with steel cable insert and a shackle (two sets of rigging sling and shackle are recommended).

- The truss mount must always be secured with an appropriate rigging sling with steel cable insert and a shackle so that in case of a malfunction it doesn't fall more than 10 cm. The rigging sling and shackles must be strong enough for all forces including dynamic force when the load is falling into the rigging sling and shackles. Please consult the local laws or regulations regarding the additional safety of hanging equipment. It is recommended to use two sets of rigging sling and shackle to avoid too much dynamic forces as well as the projector swinging. Refer to chapter *5.2 Mounting the EVO-LINK-200 or EVO-LINK-201 to a truss* and *5.3 Mounting the EVO-LINK-210 or EVO-LINK-211 to a truss* for more information.

Tighten the adjustment handle with a maximum torque of 10 Nm to guarantee a proper and safe fastening.

- A maximum torque of 10 Nm must be applied to guarantee a proper fastening. Refer to chapter *6.1 Rough adjustment* for more information.

Manual EVO-LINK-200 series

- Only use tools to ensure the maximum torque of 10 Nm. This can be done by lifting the handle and use a torque key at the 13mm nut.
- Do not use any tools to increase the force that is applied on the handle.
- If too much force is applied on the handle property damage or serious accidents can occur.

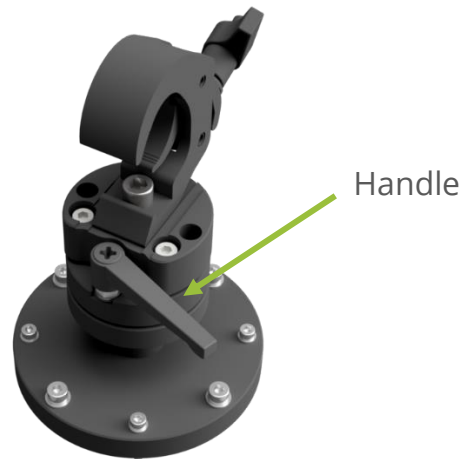


Figure 4 position of handle and cross recess screw drive

CAUTION

Before installing the frame to the EVO-LINK-200 series truss mount, please read the frame's user manual.

- The EVO-LINK-200 series truss mount with the frame and the projector attached must be installed only in an environment that is recommended by the projector manufacturer.

Prior to any installation, you must do a visual inspection to make sure that the system is in a good condition. For more information please refer to chapter: 8. System maintenance and inspection (Re-examination)

RISK SITUATIONS

Risk of injury due to the possibility of falling objects during the assembly or disassembly of the EVO-LINK-200 series truss mount.

- Protection objective: Avoid injury from falling parts.
- Wear appropriate safety shoes, gloves and helmet.
- Make sure the area under the truss mount is clear and no person is present during installation.

Risk of hitting the head with the EVO-LINK-200 series truss mount during the hanging set up process.

- Protection objective: Avoid injury from hitting the head.
- Wear a helmet.

Incorrect installation may lead to certain parts of the EVO-LINK-200 series truss mount or the entire EVO-LINK-200 series truss mount to fall down.

- Protection objective: Prevent personal injury and property damage.
- Double check the EVO-LINK-200 series truss mount and its installation.
- Read the EVO-LINK-200 series manual carefully.

Insufficient load capacity of the supporting structure may lead to certain parts of the EVO-LINK-200 series truss mount or the entire EVO-LINK-200 series truss mount to fall down.

- Protection objective: Prevent personal injury and property damage.
- Provide adequate dimensioning of the supporting structure. The supporting structure must be able to support the combined weight of all the equipment attached to, or hung from it.
- Ensure correct installation of the supporting structure.

Manual EVO-LINK-200 series

The fingers or the hand of the user can be caught between the metal plates of the EVO-LINK-200 series while adjusting the image.

- Protection objective: Prevent personal injury by using safety gloves.
- When the mechanical adjustment is made, the user must always keep his hands away from the area in between the moving parts. In case of EVO-LINK-201 and EVO-LINK-211 users should only touch the heads of the adjustment screws not the area around.



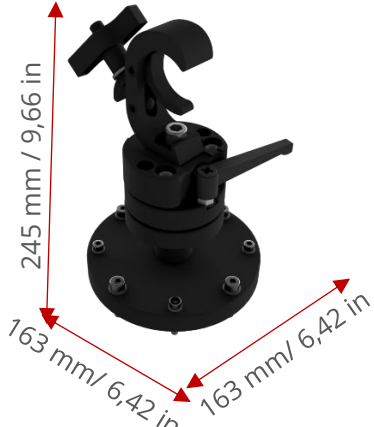
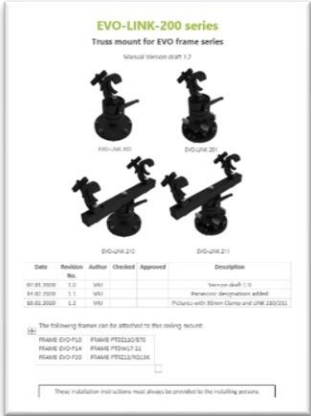
Figure 5 Adjustment screws position

While installing or dismantling the product stand only on sufficient structures (such as ladders) and use them correctly. Follow manufacturer's manual and local laws and regulations.

- If persons are using such structures incorrect, injuries or even death may occur.


3. What's in the box?

3.1 EVO-LINK-200

	<p style="text-align: center;">EVO-LINK-200</p> <ul style="list-style-type: none">• Used for frame installation• Number of units: 1• Weight: 3,1 kg / 6,83 lbs• Permanently mounted four M6 screws and four M8 screws																								
 <table border="1" data-bbox="359 1176 622 1227"><thead><tr><th>Date</th><th>Revision</th><th>Author</th><th>Checked</th><th>Approved</th><th>Description</th></tr></thead><tbody><tr><td>07.03.2009</td><td>1.0</td><td>WJ</td><td></td><td></td><td>Version 1.0</td></tr><tr><td>04.01.2010</td><td>1.1</td><td>WJ</td><td></td><td></td><td>Revision description added</td></tr><tr><td>03.02.2022</td><td>1.2</td><td>WJ</td><td></td><td></td><td>Photo with 80mm Clamp and CM 200/201</td></tr></tbody></table>	Date	Revision	Author	Checked	Approved	Description	07.03.2009	1.0	WJ			Version 1.0	04.01.2010	1.1	WJ			Revision description added	03.02.2022	1.2	WJ			Photo with 80mm Clamp and CM 200/201	<p style="text-align: center;">User manual and installation guide for EVO-LINK-200 series</p>
Date	Revision	Author	Checked	Approved	Description																				
07.03.2009	1.0	WJ			Version 1.0																				
04.01.2010	1.1	WJ			Revision description added																				
03.02.2022	1.2	WJ			Photo with 80mm Clamp and CM 200/201																				

Make sure your box contains everything you ordered. If any pieces are missing, contact the vendor.


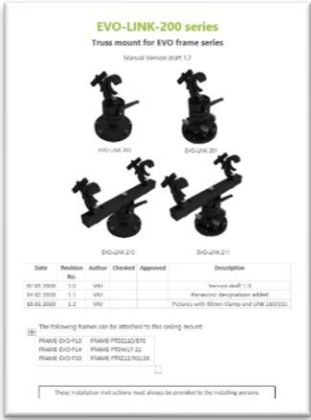
3.2 EVO-LINK-201

	<p style="text-align: center;">EVO-LINK-201</p> <ul style="list-style-type: none"> • Used for frame installation • Number of units: 1 • Weight: 4,4 kg / 9,70 lbs • Permanently mounted four M6 screws and four M8 screws
	<p style="text-align: center;">User manual and installation guide for EVO-LINK-200 series</p>

Make sure your box contains everything you ordered. If any pieces are missing, contact the vendor.

Manual EVO-LINK-200 series


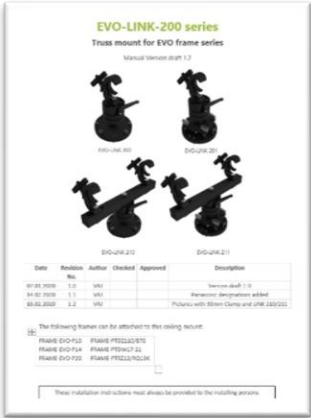
3.3 EVO-LINK-210

	<p style="text-align: center;">EVO-LINK-210</p> <ul style="list-style-type: none">• Used for frame installation• Number of units: 1• Weight: 5,0 kg / 11,023 lbs• Permanently mounted four M6 screws and four M8 screws																								
 <table border="1" data-bbox="359 1104 624 1153"><thead><tr><th>Date</th><th>Revision</th><th>Author</th><th>Checked</th><th>Approved</th><th>Description</th></tr></thead><tbody><tr><td>07-01-2020</td><td>1.0</td><td>WJ</td><td></td><td></td><td>Version draft 1.0</td></tr><tr><td>04-01-2020</td><td>1.1</td><td>WJ</td><td></td><td></td><td>Revised description added</td></tr><tr><td>03-02-2020</td><td>1.2</td><td>WJ</td><td></td><td></td><td>Photo with Steve Clarke and link added</td></tr></tbody></table>	Date	Revision	Author	Checked	Approved	Description	07-01-2020	1.0	WJ			Version draft 1.0	04-01-2020	1.1	WJ			Revised description added	03-02-2020	1.2	WJ			Photo with Steve Clarke and link added	<p style="text-align: center;">User manual and installation guide for EVO-LINK-200 series</p>
Date	Revision	Author	Checked	Approved	Description																				
07-01-2020	1.0	WJ			Version draft 1.0																				
04-01-2020	1.1	WJ			Revised description added																				
03-02-2020	1.2	WJ			Photo with Steve Clarke and link added																				

Make sure your box contains everything you ordered. If any pieces are missing, contact the vendor.

Manual EVO-LINK-200 series


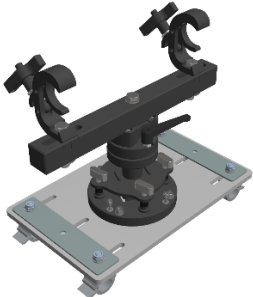

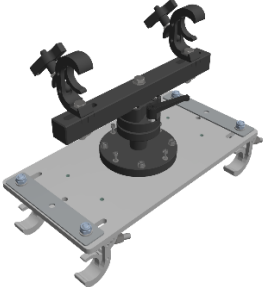
3.4 EVO-LINK-211

	<p style="text-align: center;">EVO-LINK-211</p> <ul style="list-style-type: none">• Used for frame installation• Number of units: 1• Weight: 6,3 kg / 13,88 lbs• Permanently mounted four M6 screws and four M8 screws																								
 <table border="1" data-bbox="359 1104 624 1153"><thead><tr><th>Date</th><th>Revision</th><th>Author</th><th>Checked</th><th>Approved</th><th>Description</th></tr></thead><tbody><tr><td>07.01.2020</td><td>1.0</td><td>WU</td><td></td><td></td><td>Version draft 1.0</td></tr><tr><td>04.01.2020</td><td>1.1</td><td>WU</td><td></td><td></td><td>Parameter description added</td></tr><tr><td>03.02.2022</td><td>1.2</td><td>WU</td><td></td><td></td><td>Photo with Steve Clarke and link added</td></tr></tbody></table>	Date	Revision	Author	Checked	Approved	Description	07.01.2020	1.0	WU			Version draft 1.0	04.01.2020	1.1	WU			Parameter description added	03.02.2022	1.2	WU			Photo with Steve Clarke and link added	<p style="text-align: center;">User manual and installation guide for EVO-LINK-200 series</p>
Date	Revision	Author	Checked	Approved	Description																				
07.01.2020	1.0	WU			Version draft 1.0																				
04.01.2020	1.1	WU			Parameter description added																				
03.02.2022	1.2	WU			Photo with Steve Clarke and link added																				

Make sure your box contains everything you ordered. If any pieces are missing, contact the vendor.

The EVO-LINK-200, EVO-LINK-201, EVO-LINK-210 or EVO-LINK-211 are sold separately! They are not sold together in the same box.

4. Optional accessories

	<p>FRAME-PF-UNI-PORAD Portrait Adapter for Projector Frames Optional accessory for portrait mode truss mount installations. Does not include EVO-LINK-200 series product.</p>
	<p><i>More information can be found in the FRAME-PF-UNI-PORAD installation manual.</i></p>
	<p>FRAME-PF-UNI-PORAD-L Portrait Adapter for large Projector Frames Optional accessory for portrait mode truss mount installations.</p>
	<p>Does not include EVO-LINK-200 series product.</p> <p><i>More information can be found in the FRAME-PF-UNI-PORAD-L installation manual.</i></p>

5. EVO-LINK-200 series and the EVO frame series

5.1 Attaching to the frame

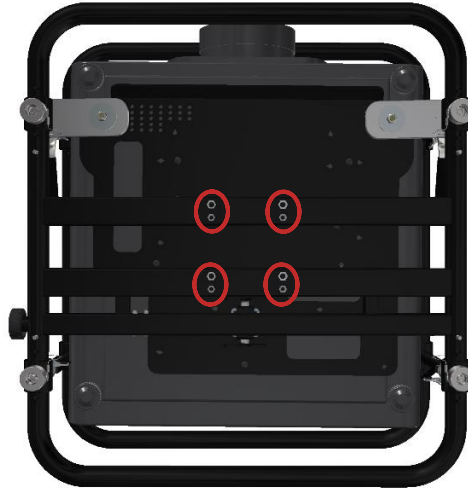
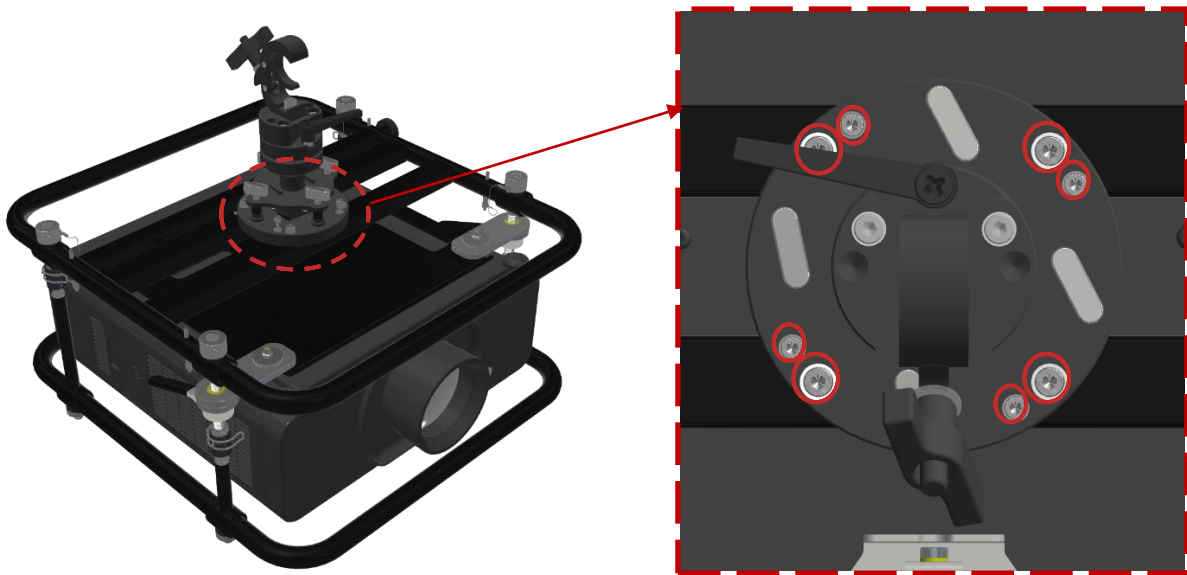


Figure 6 Downside of a frame with mounting points marked

EVO-LINK-200 series mounts have four M6 and four M8 screws to fix it to the projector frame. **All four M6 or all M8 screws have to be used.**

Step 1: Place the frame, with the projector already installed, upside down on a flat surface. The four M6 and the four M8 threads from the middle of the frame have to be on the top.

Figure 6 shows a FRAME-EVO-P10 as example. Different frames have different mounting points. Please consult the compatibility list presented on subchapter 1.2 Compatible frames for EVO-LINK-200 series to check if your frame is compatible with the EVO-LINK-200 series. After this consult the corresponding frame manual, to find out what type of mounting points are provided.



Step 2: For the frames that have M6 and M8 threads, one can choose between those two sets of screws. Use the 5 mm hex key to tighten the four M6 screws with a torque of 10 ± 0.5 Nm and the 6 mm hex key to tighten the four M8 screws with a torque of 25 ± 0.5 Nm. **All four M6 or all M8 screws have to be used.**

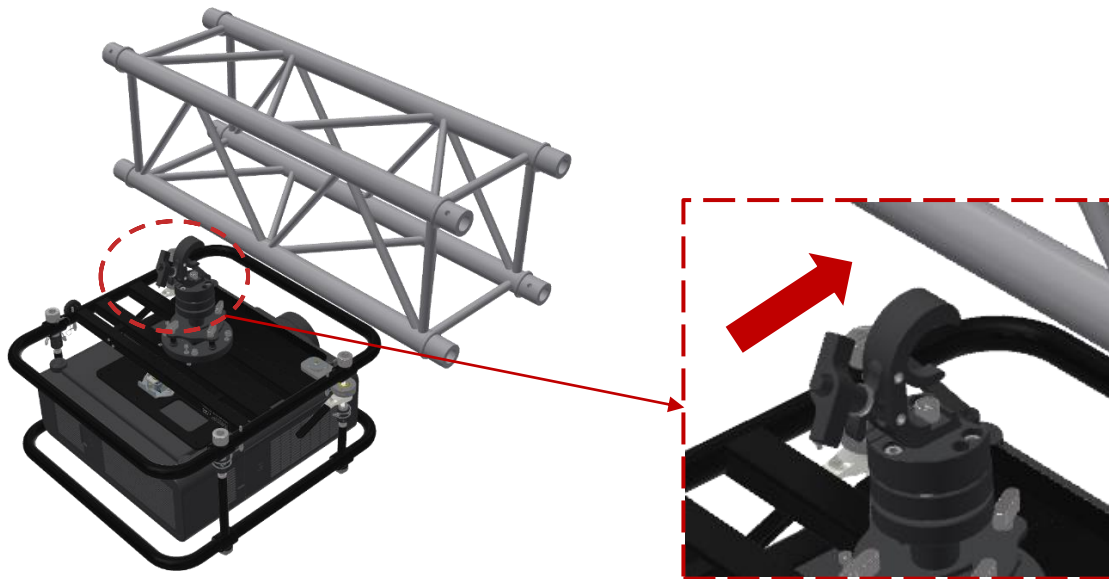
Torque:
M8: 25 ± 0.5 Nm
M6: 10 ± 0.5 Nm

To see how many stacked frames can be hanged with EVO-LINK 200 series, please check the chapter 7. Maximum stacking information .

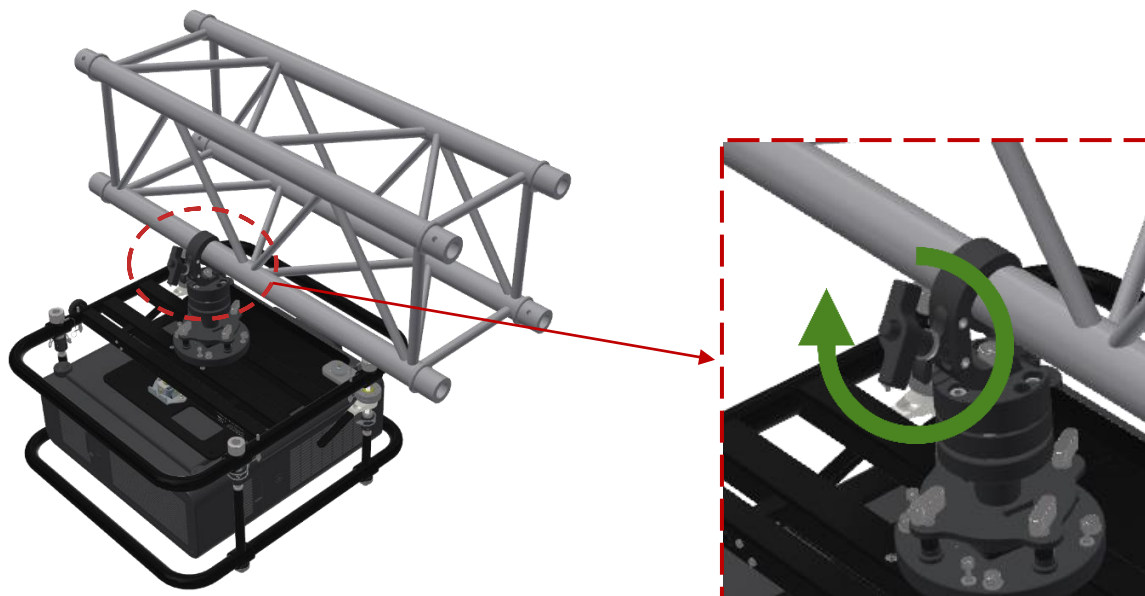
Do not exceed the maximum load limit of 200kg for EVO-LINK-200 series.

Always use rigging slings with steel cable insert and shackles with correct weight load to secure the entire set-up.

5.2 Mounting the EVO-LINK-200 or EVO-LINK-201 to a truss



Step 1: Carefully move the truss mount with the frame attached towards the truss. Please make sure that the self-lock hook clamp is open enough so it will fit easily on the truss.

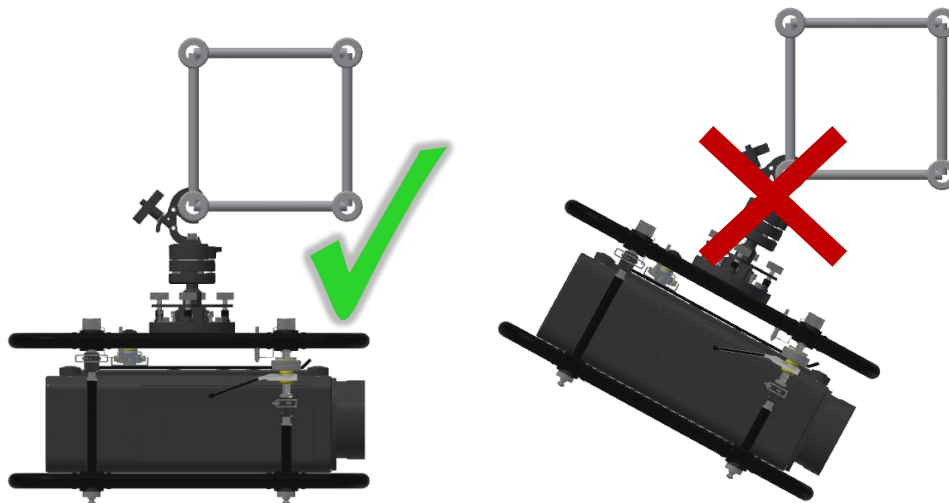


Step 2: When the truss mount with the frame are in the desired position, turn the wing nut clockwise to secure your set-up.

Manual EVO-LINK-200 series

Please tighten the wing nut until the EVO-LINK-200 series and the frame are not oscillating and are in a safe position.

Always install the EVO-LINK-200 series in a vertical hanging position!



WARNING: Always secure the truss mount using appropriate rigging slings with steel cable insert and shackles.

Make sure the rigging slings with steel cable insert and shackles are chosen correctly regarding strength, format and length. You must care for a professional and correct use of the rigging slings and the shackles. Make sure the rigging slings and the shackles are strong enough for the load and the dynamic force when the load falls into the rigging slings and shackles. Please avoid high dynamic forces by ensuring that the truss mount and the frame will not drop more than **10cm** into the rigging slings. Depending on your application it is recommended to use two sets of rigging sling and shackle to avoid too much dynamic forces as well as the projector swinging.

Please consult the local laws or regulations regarding the additional safety of hanging equipment.

For further information regarding an appropriate rigging sling with steel cable insert and shackle please contact us.

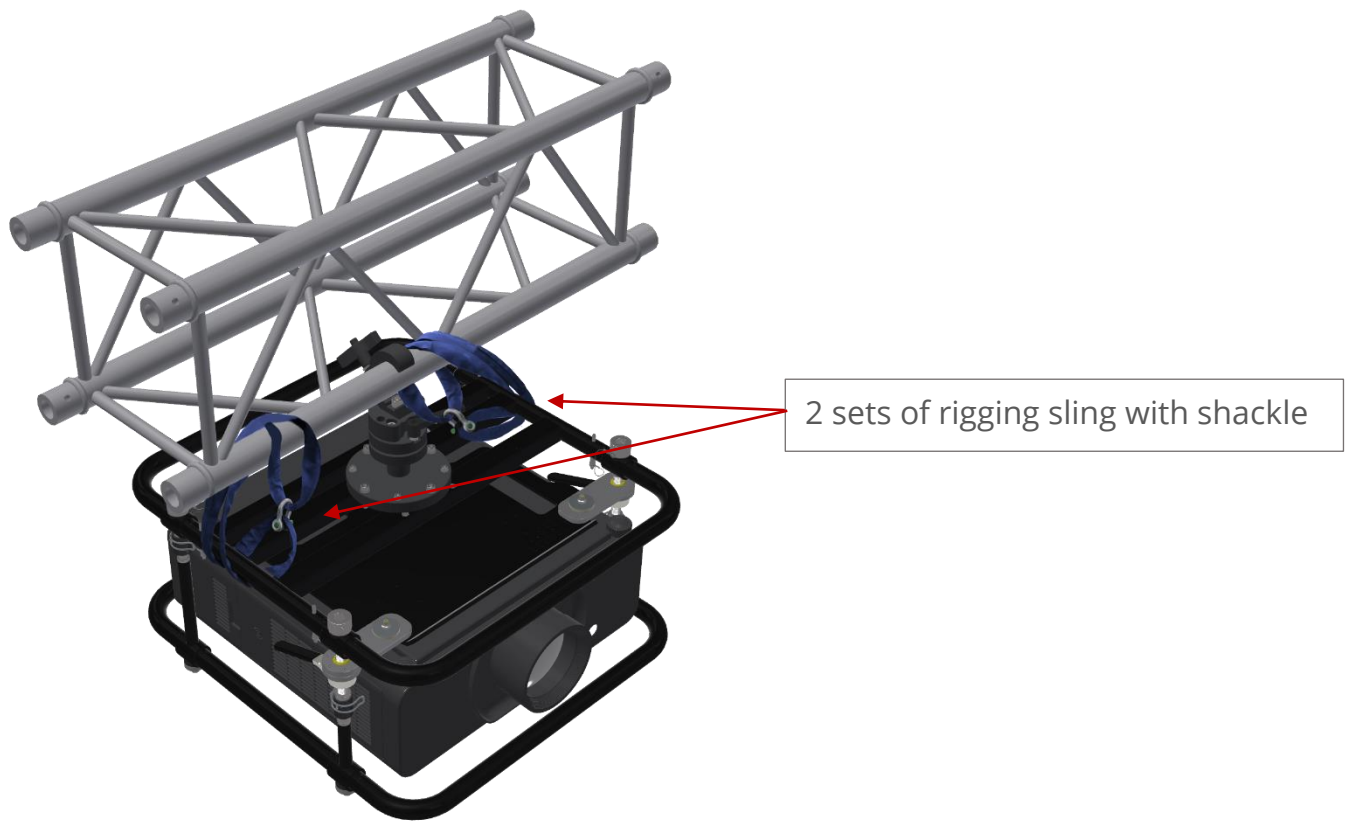
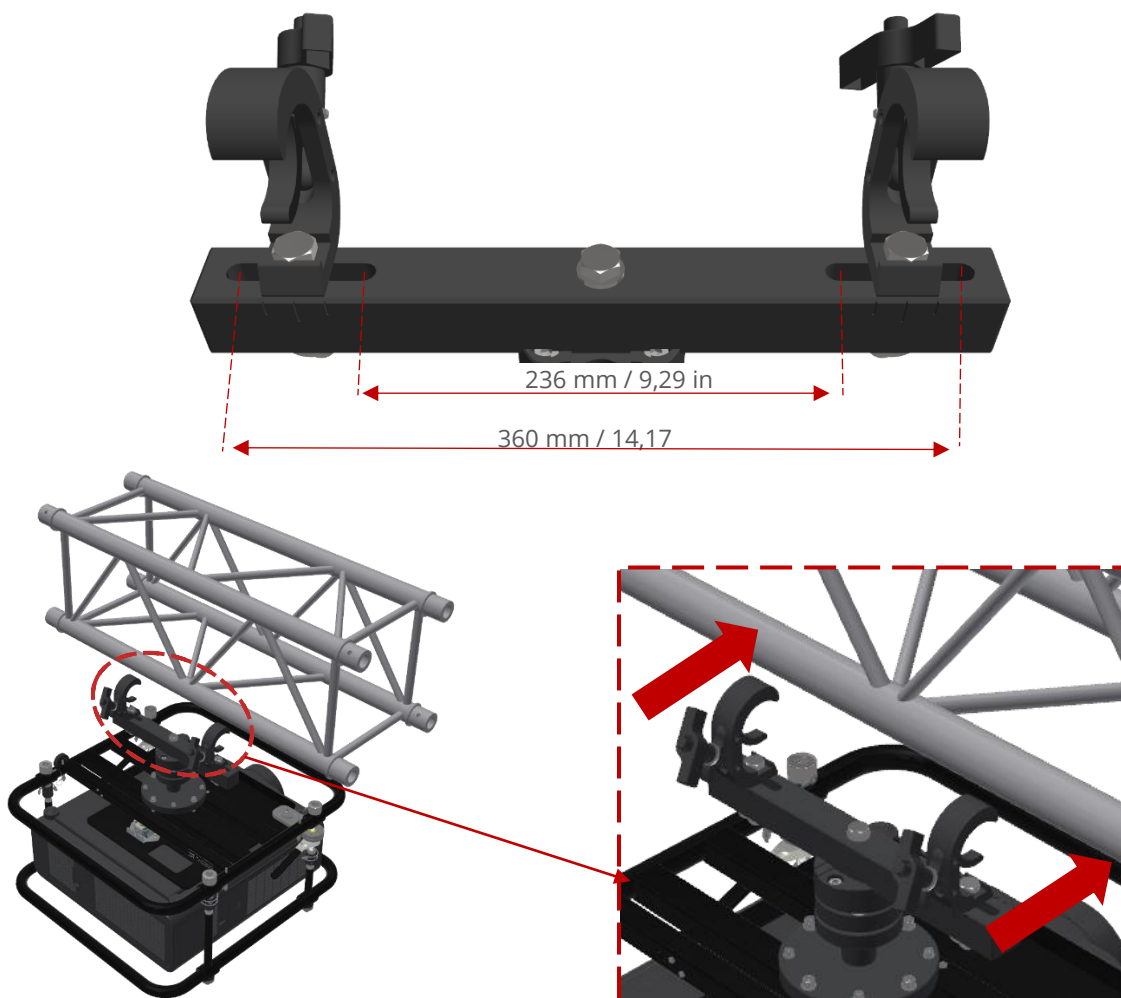


Figure 7 securing the truss mount using two sets of appropriate rigging sling with steel cable insert and shackle

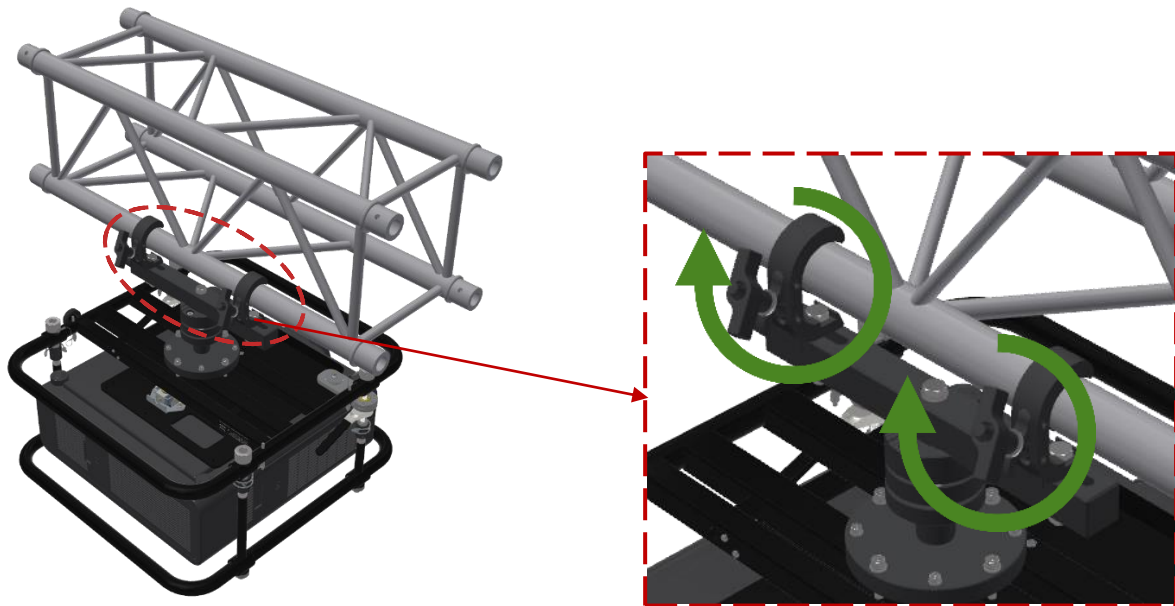
5.3 Mounting the EVO-LINK-210 or EVO-LINK-211 to a truss

The two self-lock hook clamps on the EVO-LINK-210 and EVO-LINK-211 cross beam can be adjusted in a range of 124 mm (4,88 in). The distance between the clamps can vary between 236mm and 360mm. For moving a clamp please unscrew the M12 safety nut with the 19mm hexagonal wrench key and move the clamps to the desired position. **Afterwards secure the M12 Safety nut with a torque of 85Nm +/-0,5 Nm.**



Step 1: Carefully move the truss mount with the frame attached towards the truss. Please make sure that both self-lock hook clamps are open enough so they will fit easily on the truss.

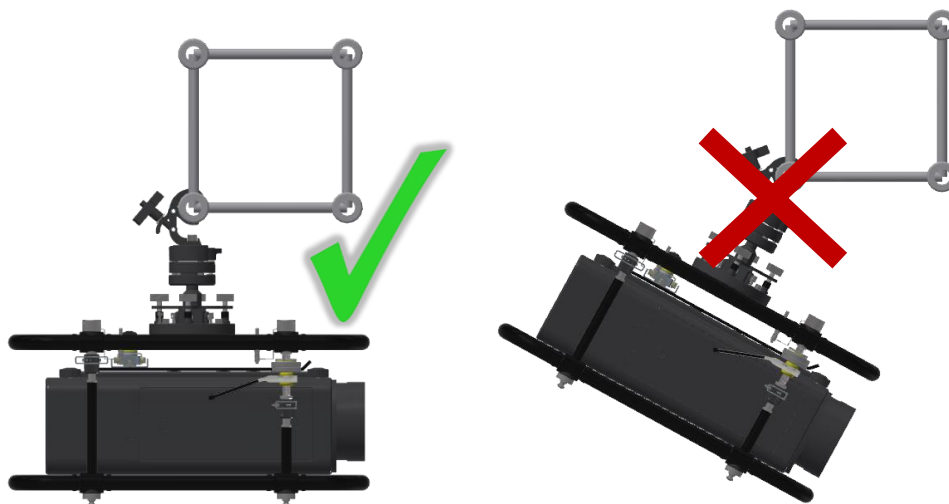
Manual EVO-LINK-200 series



Step 2: When the truss mount with the frame are in the desired position, turn both wing nuts clockwise to secure your set-up.

Please tighten the wing nut until the EVO-LINK-200 series and the frame are not oscillating and are in a safe position.

Always install the EVO-LINK-200 series in a vertical hanging position!



Manual EVO-LINK-200 series

WARNING: Always secure the truss mount using appropriate rigging slings with steel cable insert and shackles.

Make sure the rigging slings with steel cable insert and shackles are chosen correctly regarding strength, format and length. You must care for a professional and correct use of the rigging slings and the shackles. Make sure the rigging slings and the shackles are strong enough for the load and the dynamic force when the load falls into the rigging slings and shackles. Please avoid high dynamic forces by ensuring that the truss mount and the frame will not drop more than **10cm** into the rigging slings. Depending on your application it is recommended to use two sets of rigging sling and shackle to avoid too much dynamic forces as well as the projector swinging.

Please consult the local laws or regulations regarding the additional safety of hanging equipment.

For further information regarding an appropriate rigging sling with steel cable insert and shackle please contact us.

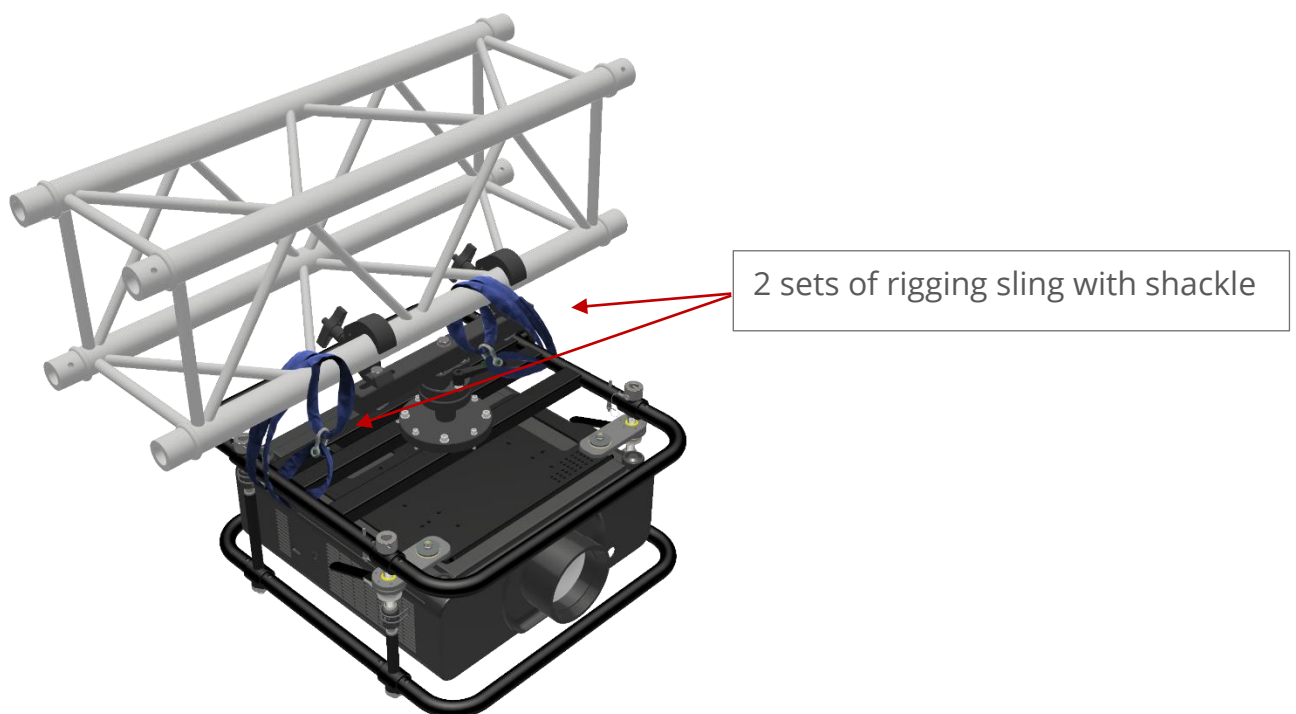
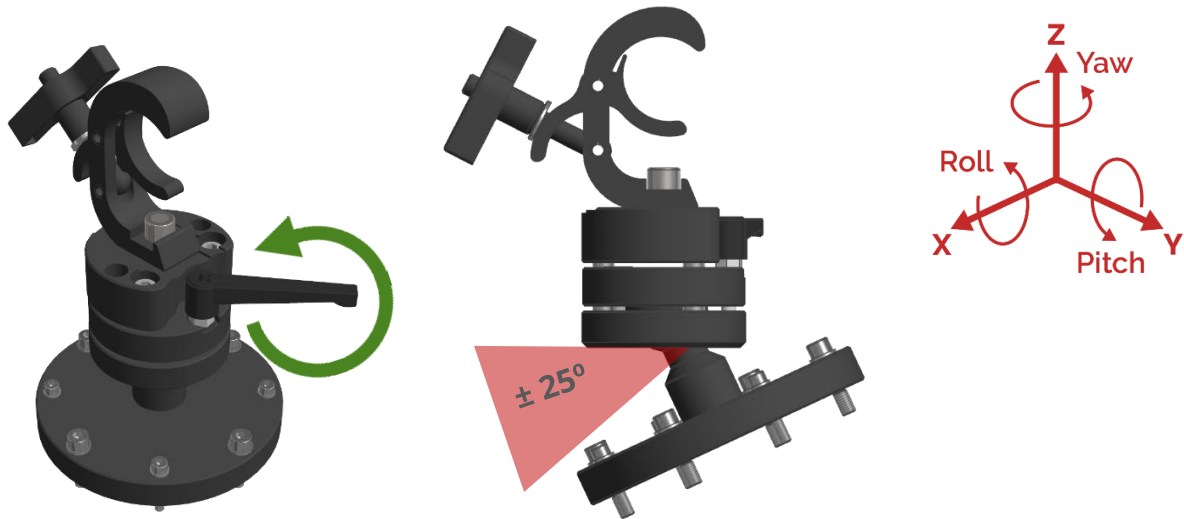


Figure 8 securing the truss mount using two sets of appropriate rigging sling with steel cable insert and shackle

6. Adjustment options

6.1 Rough adjustment



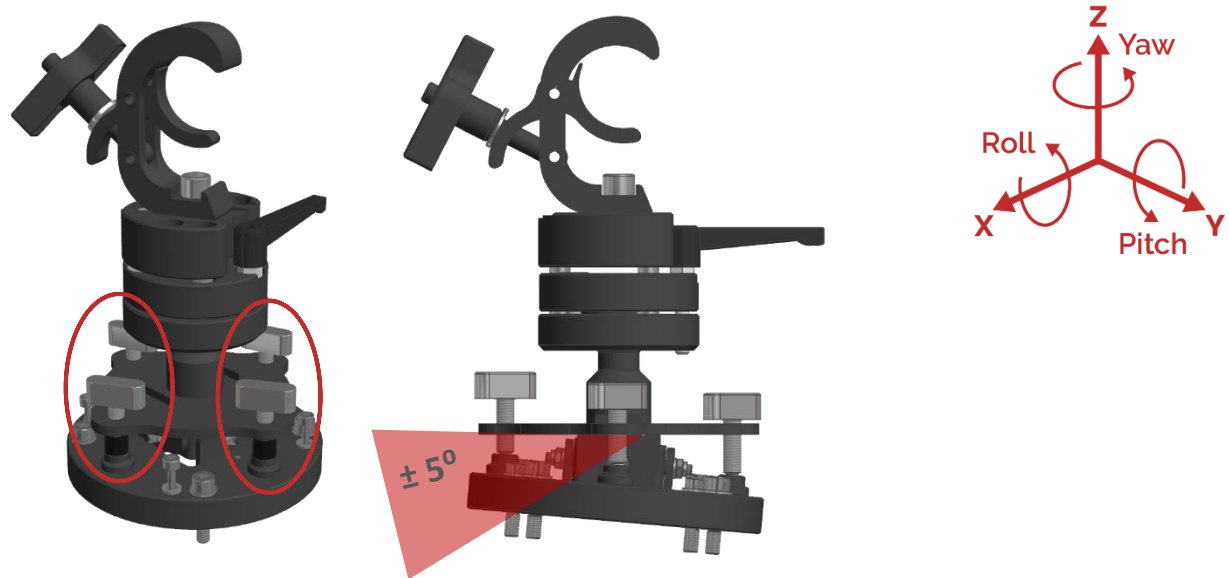
By loosening the handle, one can adjust the EVO-Link-200 series freely, in the pitch and/or roll directions, with an angle of ± 25 degrees. Also, the entire set-up can be rotated 360 degrees around the Z axis.



When the desired position is reached, please tighten the handle hand-tight to keep the set-up in that position. If there is need to tighten the handle more, it is possible to lift the handle a little bit and turn it counter clock wise. After this lower the handle and tighten it again hand-tight. To ensure a maximum torque of 10 Nm, the 13mm nut inside the handle can be used.

WARNING: Tighten the handle with a maximum torque of 10 Nm to guarantee a proper and safe fastening.

6.2 Fine adjustment (only EVO-LINK-201 and EVO-LINK-211)



For obtaining a more precise and accurate set-up on the pitch and roll directions, please use the four adjustment screws situated in the middle of the EVO-LINK-201 and EVO-LINK-211.

By screwing and unscrewing each screw at a time, one opposite to another, one can adjust EVO-LINK-201/211 in the two directions with an angle of approx. ± 5 degrees.

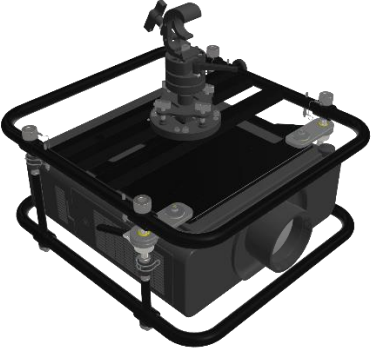
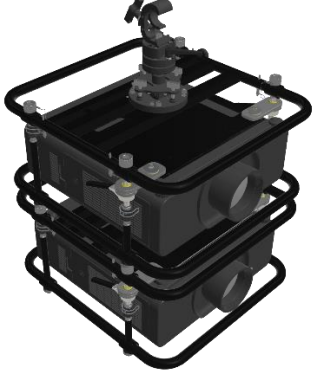



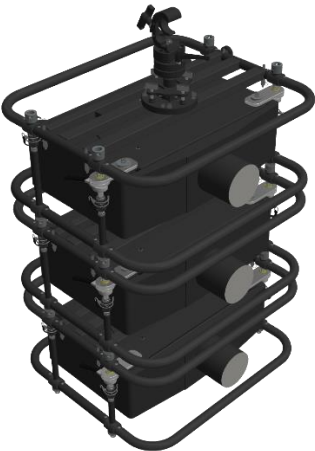
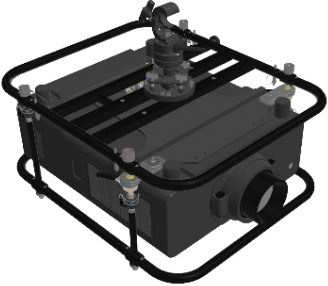
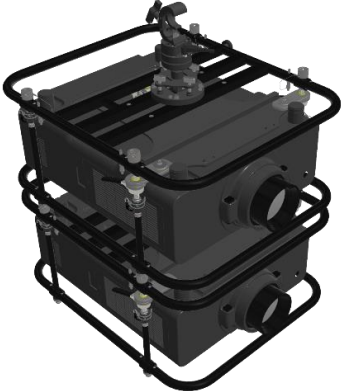
7. Maximum stacking information

Please refer to the tables below to confirm proper usage.




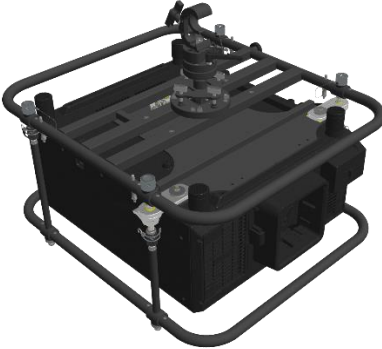
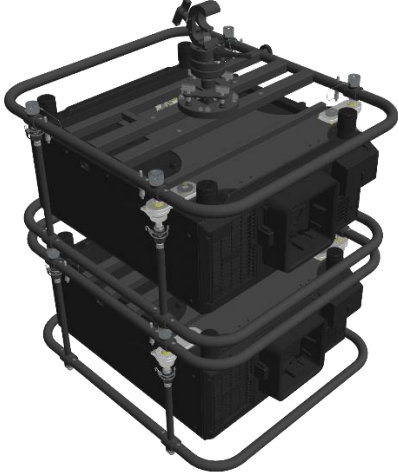
Do not exceed the maximum number of stacked frames that are presented in the table below.

Do not exceed the maximum load limit of 200kg for EVO-LINK-200 series.

Manual EVO-LINK-200 series

With FRAME-EVO-P10		
1 frame	2 frames	3 frames
		
With FRAME-EVO-P14		
1 frame	2 frames	3 frames
		
With FRAME-EVO-P20 or FRAME-EVO-P30		
1 frame	2 frames	
		

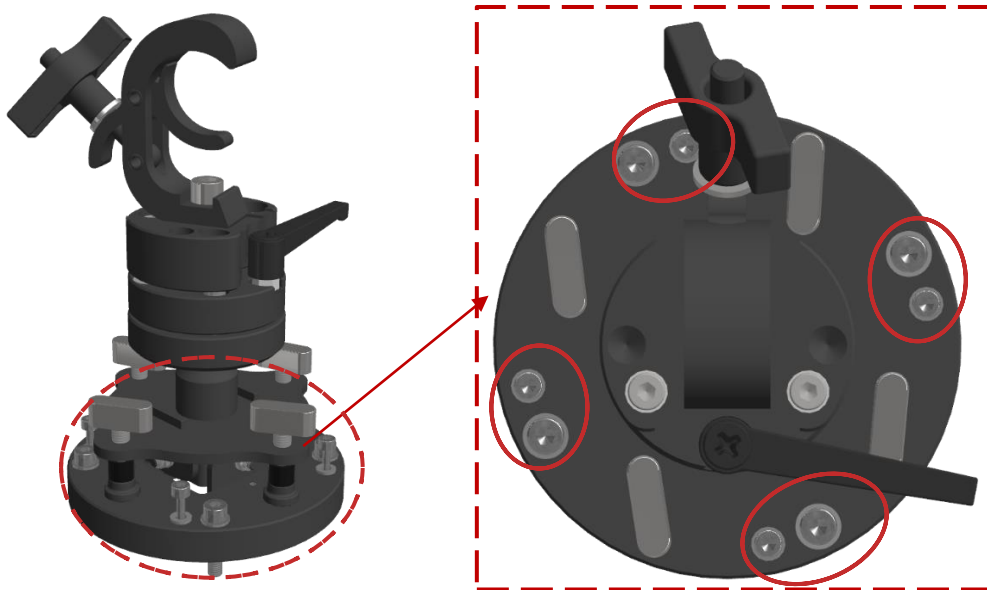
Manual EVO-LINK-200 series

With FRAME-EVO-E10		
1 frame	2 frames	3 frames
		
With FRAME-EVO-E20		
1 frame	2 frames	
		

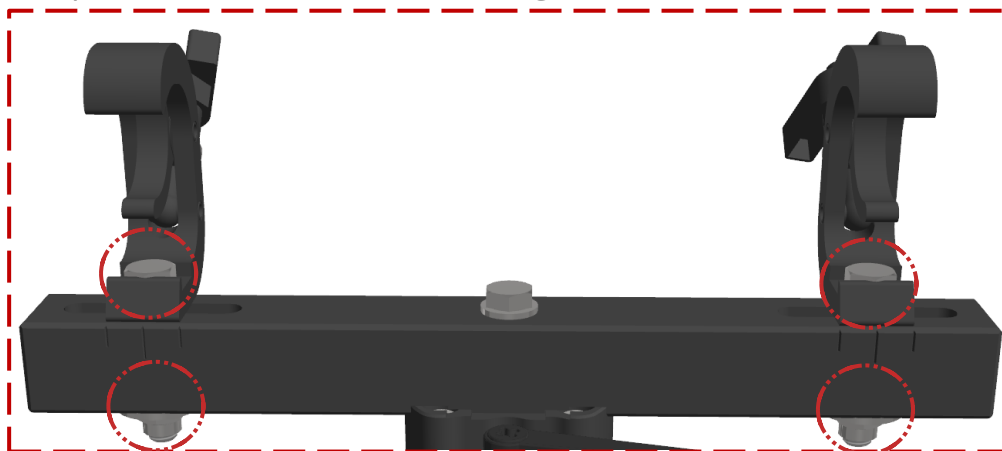
8. System maintenance and inspection (Re-examination)

For the EVO-LINK-200 series truss mount a visual inspection must be **done prior to every installation** in which the system is involved:

- Please make a visual inspection to be sure that all the M6 and M8 screws and corresponding washers are in the right place and none are missing. Make sure they are not damaged in any way such as bended or abrasion at the screw tread



- Make sure that the screws, wing nuts, metal plate and all other components are not bended, damaged, or broken.



Manual EVO-LINK-200 series

- Make sure that the M12 screws, washer and nuts are not missing or damaged.
- Make sure that the truss clamp has no damage and that it is securely tighten to the whole truss mount. Also make sure that the wing nut is in place and is able to close the clamp to secure it to a trussing pipe.
- If any parts are broken or missing, please contact the vendor for spare parts. Do not replace any parts on your own.
- Please control, with a corresponding tool, that all the screws are properly tightened.

Do not exchange broken or malfunctioning parts with ones that are not accredited by the manufacturer because serious injuries and property damage can occur!

The inspection must be done by a qualified person!

One detailed inspection must be performed every year. For that, a qualified person needs to carefully check that none of the components are damaged or broken.


This inspection can also be done by the manufacturer.

Because the EVO-LINK-200 series is built and approved according to the DGUV V17/V18 regulation, every four years a full complete reinspection by an authorized DGUV V17/V18 inspector must be performed.

NOTE: Only EU models of EVO-LINK-200 series are certified DGUV V17/V18.

This inspection can be done by the manufacturer.

9. Declaration of Conformity



EC - Declaration of Conformity

We hereby confirm that the following described lifting accessory in its conception, construction and form put by us in circulation is in full accordance with all relevant health and safety requirements and complies with the following EC-directive:

2006 / 42 / EG (EG-Machinery Directive)

This declaration is no longer valid if the lifting accessory is modified without our written consent.

Manufacturer:
EXACT solutions GmbH
Lustheide 85
D - 51427 Bergisch Gladbach
Tel.: +49 2204 9485 30

Description of the lifting accessory:

- Function: Truss mounting for projector frames such as: FRAME-EVO-P10, FRAME-EVO-P14, FRAME-EVO-P20, FRAME-EVO-E10, FRAME-EVO-E20 and other compatible projector frames.
- Type/model: EVO-LINK-200 series (EVO-LINK-200, EVO-LINK-200-US, EVO-LINK-201, EVO-LINK-201-US, EVO-LINK-210, EVO-LINK-210-US, EVO-LINK-211, EVO-LINK-211-US)
- Serial number: LINK200.XXXX.YY or LINK200US.XXXX.YY / LINK201.XXXX.YY or LINK201US.XXXX.YY / LINK210.XXXX.YY or LINK210US.XXXX.YY / LINK211.XXXX.YY or LINK211US.XXXX.YY
- Year of construction: 2020


The applied harmonized EN - standards include:


- DIN EN ISO 1200:2010 Safety of machinery – General principles for design – Risk assessment and risk reduction


Further applied standards and regulations include:

- DIN EN 13155 DE: Krane – Sicherheit – Lose Lastaufnahmemittel (11/2017)
EN: Crane – Safety – Non fixed load lifting attachments
- DIN EN 1990 DE: Eurocode 0: Grundlagen der Tragwerksplanung (12/2010)
EN: Eurocode 0: basis of structural design (12/2010)
- DIN EN 1991-1 DE: Eurocode 1: Einwirkungen auf Tragwerke (12/2010)
EN: Eurocode 1: Actions on structures (12/2010)
- DIN EN 1993 -1-1/8 DE: Eurocode 3: Bemessung und Konstruktion von Stahlbauten (12/2010)
EN: Eurocode 3: Design of steel structures (12/2010)
- DIN EN 1999-1 DE: Eurocode 9: Bemessung und Konstruktion von Aluminiumtragwerken (12/2010)
EN: Eurocode 9: Design of aluminium structures (12/2010)
- DIN EN 62368-1 DE: Einrichtungen für Audio/Video-Informations- und Kommunikationstechnik – Teil 1: Sicherheitsanforderungen / konstruktive Anforderungen(05/2016)
EN: Audio/video, information and communication technology equipment – Part 1: Safety requirements / constructive requirements (05/2016)
- DGUV V17/18 DE: UVV Veranstaltungs- und Produktionsstätten für szenische Darstellung, Stand Januar 2011 (bisher: BGV C1)
EN: Accident Prevention Regulation for Staging and Production Facilities for the Entertainment Industry (formerly BGV C1)
- DGUV 315-390 DE: Grundsätze für die Prüfung maschinentechnischer Einrichtungen in Bühnen und Studios (bisher: BGG/GUV-G 912)
EN: Fundamentals for testing in stages and studios of the mechanical equipment (formerly BGG/GUV-G 912)
- DGUV 215-313 DE: Lasten über Personen. Sicherheit bei Produktionen und Veranstaltungen von Fernsehen, Hörfunk, Film, Theater, Messen, Veranstaltungen (bisher BGI-810)
EN: Safety at Productions and Events – Loads Suspended above Persons (formerly BGI-810)

Bergisch Gladbach, 14th of Mai 2020

Signature: 


EXACT solutions GmbH
Lustheide 85 · D-51427 Bergisch Gladbach
+49 2204 948530 · www.exactsolutions.de



(Tobias Schwirten, Managing Director, EXACT solutions GmbH)

Imprint

EXACT solutions GmbH

Lustheide 85

51427 Bergisch Gladbach

GERMANY

Tel.: +49 2204 9485 30

E-Mail: info@exactsolutions.de

Web: www.exactsolutions.de